

JESSE RAST ENTERPRISES

If you need your equipment **FAST** stick with the **RAST!**

Independent Distributor **CATALOGUE**



JesseRastEnterprises.com **803-420-4102**

About Us

Rast Family Farms have been in operation since 1889, harvesting generations of appreciation for hard work, honesty, and dependability. Southern living at it's finest, and hardest of times. Through it all – we pull together, for the love of God, Family, Land, and Selflessness.

Jesse Rast Enterprises has taken the family values from decades of farming, planting the seed for a better way to procure farm and agricultural equipment by eliminating “the man”, speeding up delivery, and doing what’s right. Family is special and we choose to specialize in farm and agricultural equipment.

Unlike traditional distribution, Jesse Rast Enterprises runs the equipment that is available in our portfolio.

Farm life is not transactional, and you will feel the difference in honest guidance and feedback by becoming a part of the Jesse Rast Enterprises family.





JESSE **RAST ENTERPRISES**



BOOM MOUNTED CUTTER-HEAD



ALWAYS THE FIRST, ALWAYS THE BEST

Gyro-Trac introduced the first front attachment with PLANAR teeth & a controlled bite RIB in 2003. It was Gyro-Trac that developed the trade name "PLANAR" tooth for mulching. Today, Gyro-Trac is first to introduce the BEST, most ADVANCED and PATENTED cutting technology.

INTERNAL DRIVE MOTOR

US Pat. No. 7,980,278
CA Pat. No. 2,597,973

CONTROLLED BITE

US Pat. No. 7,810,531
US Pat. App. No. 14/146,077
CA Pat. No. 2,546,294

MOUNTING ASSEMBLY

US Pat. No. 7,810,531
US Pat. App. No. 14/146,077
CA Pat. No. 2,546,294

MOUNTING STATION

US Pat. No. 7,810,531
US Pat. App. No. 14/146,077
CA Pat. No. 2,546,294

SPLITTER BLOCK

US Pat. App. No. 14/883,725

CUTTING TOOTH

US Pat. No. 8,167,225
US Pat. No. 8,893,997
CA Pat. No. 2,582,263

Gyro-Trac Owns over 20 Patents and Patents Pending, including the above Cutter-head Patents.

ph:(843) 879-0208 fax:(843) 879-0218 e: sales@gyrotrac.com

Alberta, Canada: (780) 719-9743

CALL FOR A DEMO TODAY!

www.gyrotrac.com toll free +1 (866) 800-3900

Copyright © 2019 Gyro-Trac Corporation. All rights reserved.

DIMENSIONS

Cutting Width	49 in.	(125 cm)
Width	60 in.	(152 cm)
Depth	30 in.	(76 cm)
Height	25 in.	(64 cm)
Weight	980 lbs.	(445 kg)

SPECIFICATIONS

No. of Teeth	20	Teeth
Hyd. Flow up to	50 gpm	(189 lpm)
Oper. Pressure Up to	4500 psi	(310 bar)
Tractor HP	60-110 HP	(45-82 kw)

CASE DRAIN RETURN PRESSURE

Maximum (continuous)	29 psi	(2 bar)
Intermittent (Cold Start)	89 psi	(6 bar)

THE ONLY HEAVY-DUTY CUTTER-HEAD ON THE MARKET THAT WEIGHS LESS THAN 1,000 POUNDS AND CAN HANDLE HYDRAULIC FLOWS UP TO 50 GPM. Designed for small tractors with a boom arm and for small excavators/track hoes

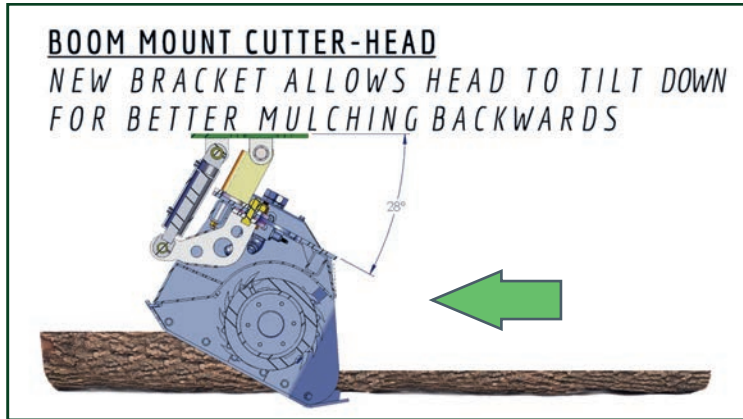
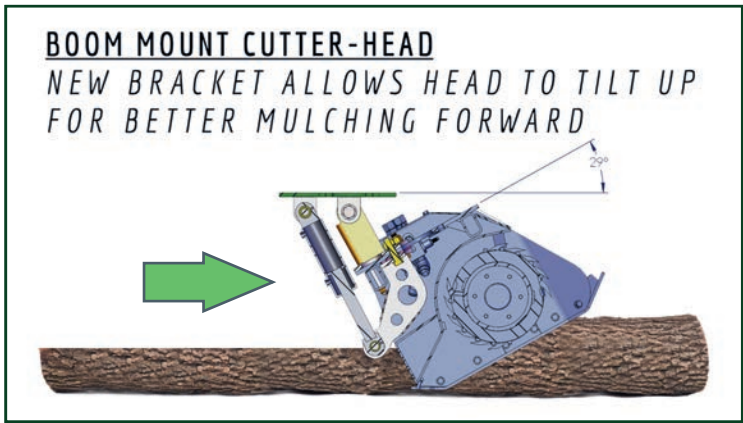


Gyro-Trac's SABRE-TOOTH TITAN cutting technology PULVERIZES Wood into Sawdust-like Mulch. The new SABRE-TOOTH design is the NEXT GENERATION of "disruptive technology," improving on Gyro-Trac's Planar tooth.

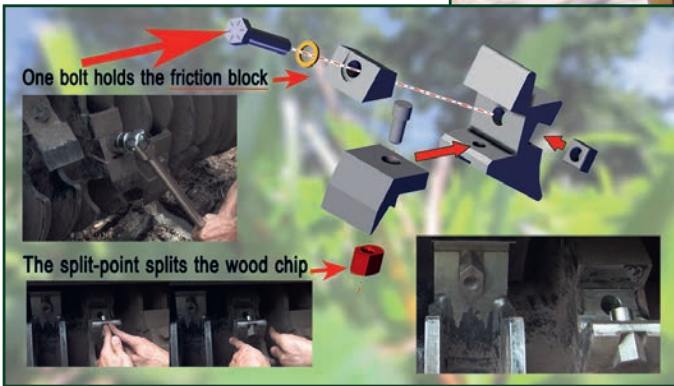
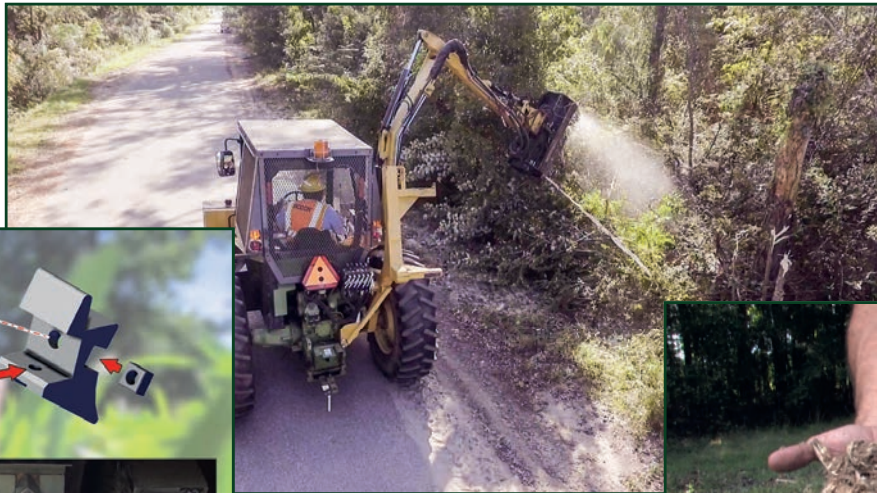
It begins with a WIDER TOOTH, held in place with a WEDGED FRICTION BLOCK, taking all the force off of the single bolt. THAT'S RIGHT! Only one bolt to quickly and easily replace worn teeth.

The CONTROLLED BITE is now achieved with TWO instead of one control rib under the tooth. The distance between control ribs is wider.

The KNOCK-OUT RELIEF that reduces resistance by allowing the wood chip to curl into the relief, now has a SPLIT BLOCK strategically placed to SPLIT THE CHIP and further REDUCE the size of the wood chip. This new design creates a SELF-CLEANING effect, clearing the tooth for the next bite.



SABRE-TOOTH CUTTING TECHNOLOGY PULVERIZES Wood into Sawdust-like Mulch



With a perfectly tuned hydraulic recipe, you can now understand how Gyro-Trac machines can mulch more wood with Less Weight, Less Energy and Less Fuel than any of our competitors. You can also understand how the smallest mulch in the business leaves behind that famous, Gyro-Trac "Park-Like effect," and the fine, rapidly biodegradable mulch just simply Won't Wick Fire, making a Gyro-Trac the perfect machine for cutting fire breaks.



400 HL Hi/Lo Flow CUTTER-HEAD



DIMENSIONS

Cutting Width	49 in.	(125 cm)
Width	60.25 in.	(153 cm)
Depth	36 in.	(92 cm)
Height	38.5 in.	(97 cm)
Weight	1282 lbs.	(581 kg)

SPECIFICATIONS

No. of Teeth	20	Teeth
Hyd. Flow up to	50 gpm	(189 lpm)
Oper. Pressure Up to	6000 psi	(413 bar)

CASE DRAIN RETURN PRESSURE

Maximum (continuous)	43 psi	(3 bar)
Intermittent (Cold Start)	73 psi	(5 bar)

Designed for Skid Steers and Compact Track Loaders and can be mounted on small Track Hoes.

ALWAYS THE FIRST, ALWAYS THE BEST

Gyro-Trac introduced the first front attachment with PLANAR teeth & a controlled bite RIB in 2003. It was Gyro-Trac that developed the trade name "PLANAR" tooth for mulching. Today, Gyro-Trac is first to introduce the BEST, most ADVANCED and PATENTED cutting technology.

INTERNAL DRIVE MOTOR

US Pat. No. 7,980,278
CA Pat. No. 2,597,973

CONTROLLED BITE

US Pat. No. 7,810,531
US Pat. App. No. 14/146,077
CA Pat. No. 2,546,294

MOUNTING ASSEMBLY

US Pat. No. 7,810,531
US Pat. App. No. 14/146,077
CA Pat. No. 2,546,294

MOUNTING STATION

US Pat. No. 7,810,531
US Pat. App. No. 14/146,077
CA Pat. No. 2,546,294

SPLITTER BLOCK

US Pat. App. No. 14/883,725

CUTTING TOOTH

US Pat. No. 8,167,225
US Pat. No. 8,893,997
CA Pat. No. 2,582,263



Gyro-Trac Owns over 20 Patents and Patents Pending, including the above Cutter-head Patents.

ph:(843) 879-0208 fax:(843) 879-0218 e: sales@gyrotrac.com

Alberta, Canada: (780) 719-9743

CALL FOR A DEMO TODAY!

www.gyrotrac.com toll free +1 (866) 800-3900

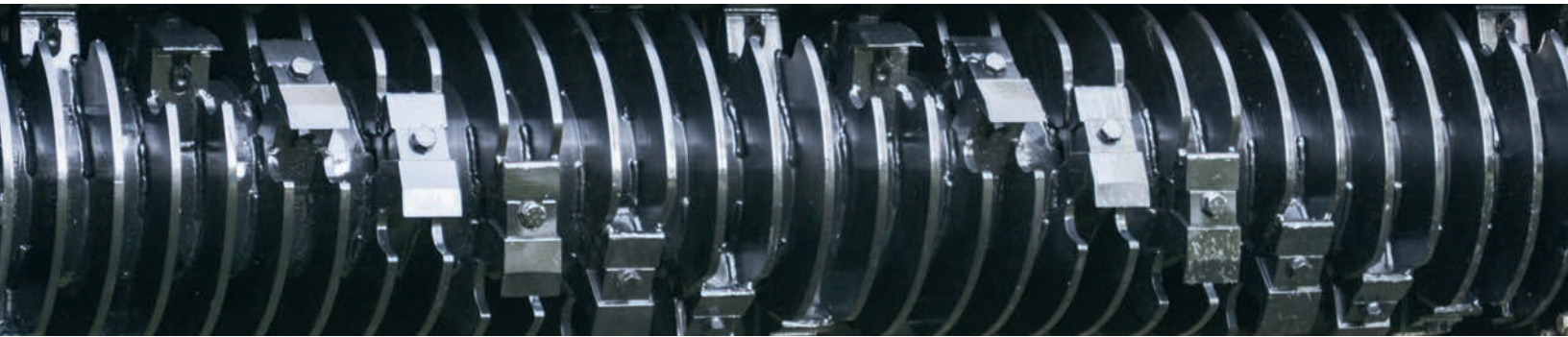
Copyright © 2019 Gyro-Trac Corporation. All rights reserved.

Gyro-Trac's SABRE-TOOTH TITAN cutting technology PULVERIZES Wood into Sawdust-like Mulch. The new SABRE-TOOTH design is the NEXT GENERATION of "disruptive technology," improving on Gyro-Trac's Planar tooth.

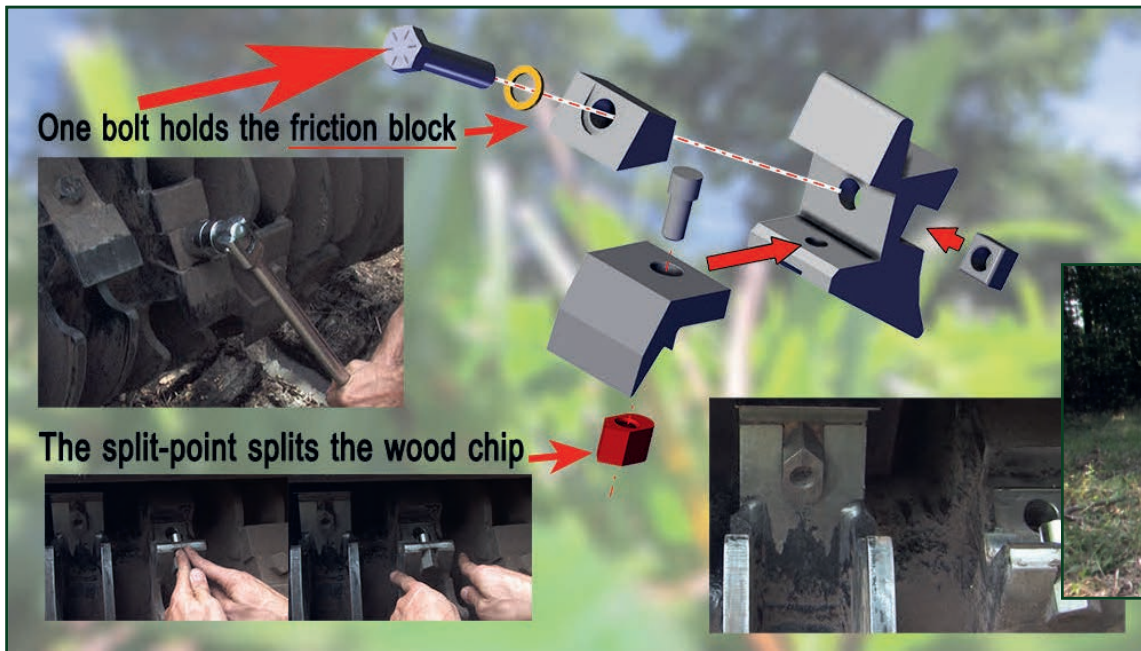
It begins with a WIDER TOOTH, held in place with a WEDGED FRICTION BLOCK, taking all the force off of the single bolt. THAT'S RIGHT! Only one bolt to quickly and easily replace worn teeth.

The CONTROLLED BITE is now achieved with TWO instead of one control rib under the tooth. The distance between control ribs is wider.

The KNOCK-OUT RELIEF that reduces resistance by allowing the wood chip to curl into the relief, now has a SPLIT BLOCK strategically placed to SPLIT THE CHIP and further REDUCE the size of the wood chip. This new design creates a SELF-CLEANING effect, clearing the tooth for the next bite.



SABRE-TOOTH CUTTING TECHNOLOGY PULVERIZES Wood into Sawdust-like Mulch



With a perfectly tuned hydraulic recipe, you can now understand how Gyro-Trac machines can mulch more wood with Less Weight, Less Energy and Less Fuel than any of our competitors. You can also understand how the smallest mulch in the business leaves behind that famous, Gyro-Trac "Park-Like effect," and the fine, rapidly biodegradable mulch just simply Won't Wick Fire, making a Gyro-Trac the perfect machine for cutting fire breaks.



500 HF HDM CUTTER-HEAD



ALWAYS THE FIRST, ALWAYS THE BEST

Gyro-Trac introduced the first front attachment with PLANAR teeth & a controlled bite RIB in 2003. It was Gyro-Trac that developed the trade name "PLANAR" tooth for mulching. Today, Gyro-Trac is first to introduce the BEST, most ADVANCED and PATENTED cutting technology.

INTERNAL DRIVE MOTOR

US Pat. No. 7,980,278
CA Pat. No. 2,597,973

CONTROLLED BITE

US Pat. No. 7,810,531
US Pat. App. No. 14/146,077
CA Pat. No. 2,546,294

MOUNTING ASSEMBLY

US Pat. No. 7,810,531
US Pat. App. No. 14/146,077
CA Pat. No. 2,546,294

MOUNTING STATION

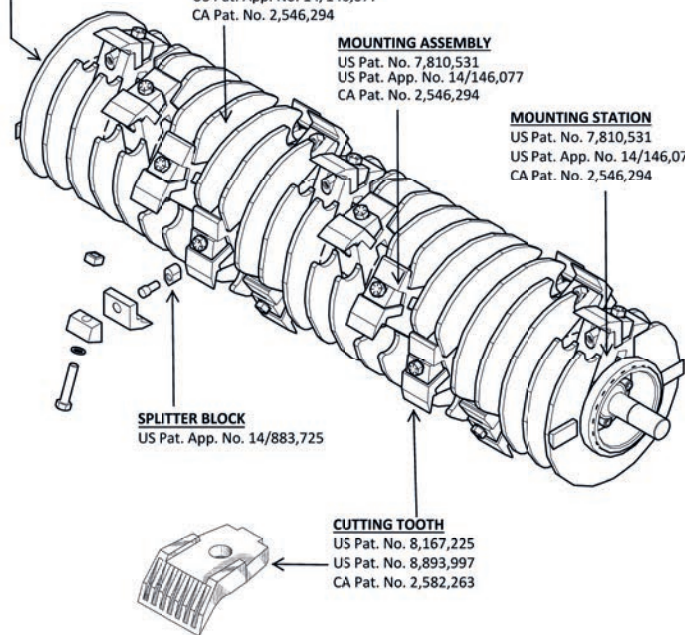
US Pat. No. 7,810,531
US Pat. App. No. 14/146,077
CA Pat. No. 2,546,294

SPLITTER BLOCK

US Pat. App. No. 14/883,725

CUTTING TOOTH

US Pat. No. 8,167,225
US Pat. No. 8,893,997
CA Pat. No. 2,582,263



Gyro-Trac Owns over 20 Patents and Patents Pending, including the above Cutter-head Patents.

ph:(843) 879-0208 fax:(843) 879-0218 e: sales@gyrotrac.com

Alberta, Canada: (780) 719-9743

CALL FOR A DEMO TODAY!

www.gyrotrac.com toll free +1 (866) 800-3900

Copyright © 2019 Gyro-Trac Corporation. All rights reserved.

DIMENSIONS

Cutting Width	65 in.	(165 cm)
Width	80.75 in.	(205 cm)
Depth	34.5 in.	(88 cm)
Height	53 in.	(135 cm)
Weight	3842 lbs.	(1742 kg)

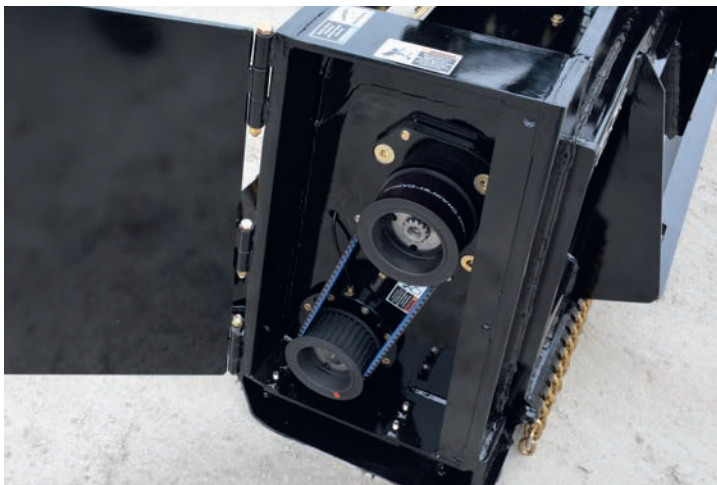
SPECIFICATIONS

No. of Teeth	22	Teeth
Hyd. Flow up to	50 gpm	(189 lpm)
Oper. Pressure Up to	6000 psi	(413 bar)

CASE DRAIN RETURN PRESSURE

Maximum (continuous)	43 psi	(3 bar)
Intermittent (Cold Start)	73 psi	(5 bar)

The 500-HF HDM is the standard Cutter-head for Heavy Duty Excavators. It Quickly Converts for Use on Skid Steers and Compact Track Loaders. SEE PIC BELOW. OPTIONAL 2nd DRIVE MOTOR = 2X Power.

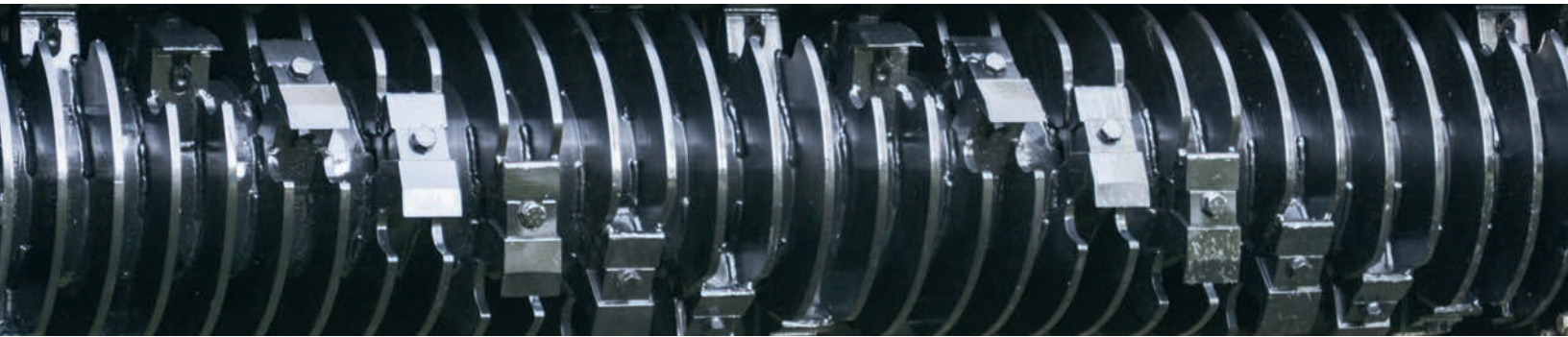


Gyro-Trac's SABRE-TOOTH TITAN cutting technology PULVERIZES Wood into Sawdust-like Mulch. The new SABRE-TOOTH design is the NEXT GENERATION of "disruptive technology," improving on Gyro-Trac's Planar tooth.

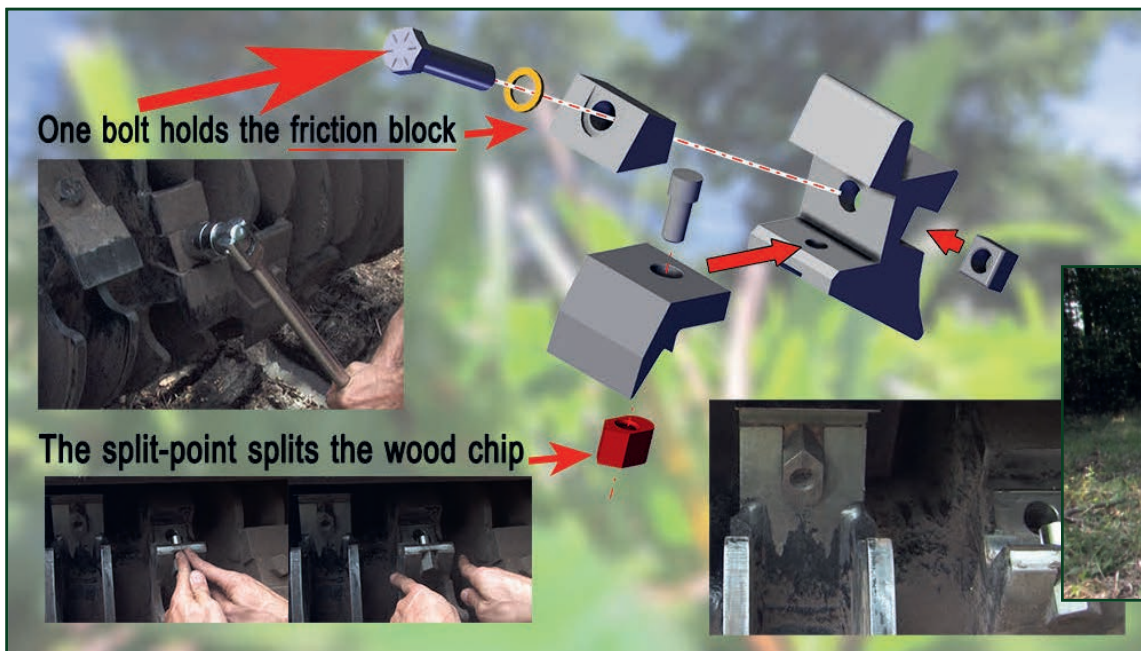
It begins with a WIDER TOOTH, held in place with a WEDGED FRICTION BLOCK, taking all the force off of the single bolt. THAT'S RIGHT! Only one bolt to quickly and easily replace worn teeth.

The CONTROLLED BITE is now achieved with TWO instead of one control rib under the tooth. The distance between control ribs is wider.

The KNOCK-OUT RELIEF that reduces resistance by allowing the wood chip to curl into the relief, now has a SPLIT BLOCK strategically placed to SPLIT THE CHIP and further REDUCE the size of the wood chip. This new design creates a SELF-CLEANING effect, clearing the tooth for the next bite.



SABRE-TOOTH CUTTING TECHNOLOGY PULVERIZES Wood into Sawdust-like Mulch



With a perfectly tuned hydraulic recipe, you can now understand how Gyro-Trac machines can mulch more wood with Less Weight, Less Energy and Less Fuel than any of our competitors. You can also understand how the smallest mulch in the business leaves behind that famous, Gyro-Trac "Park-Like effect," and the fine, rapidly biodegradable mulch just simply Won't Wick Fire, making a Gyro-Trac the perfect machine for cutting fire breaks.



500 HF High Flow CUTTER-HEAD



ALWAYS THE FIRST, ALWAYS THE BEST

Gyro-Trac introduced the first front attachment with PLANAR teeth & a controlled bite RIB in 2003. It was Gyro-Trac that developed the trade name "PLANAR" tooth for mulching. Today, Gyro-Trac is first to introduce the BEST, most ADVANCED and PATENTED cutting technology.

INTERNAL DRIVE MOTOR

US Pat. No. 7,980,278
CA Pat. No. 2,597,973

CONTROLLED BITE

US Pat. No. 7,810,531
US Pat. App. No. 14/146,077
CA Pat. No. 2,546,294

MOUNTING ASSEMBLY

US Pat. No. 7,810,531
US Pat. App. No. 14/146,077
CA Pat. No. 2,546,294

MOUNTING STATION

US Pat. No. 7,810,531
US Pat. App. No. 14/146,077
CA Pat. No. 2,546,294

SPLITTER BLOCK

US Pat. App. No. 14/883,725

CUTTING TOOTH

US Pat. No. 8,167,225
US Pat. No. 8,893,997
CA Pat. No. 2,582,263

DIMENSIONS

Cutting Width	65 in.	(165 cm)
Width	77 in.	(196 cm)
Depth	34.5 in.	(88 cm)
Height	66 in.	(168 cm)
Weight	2420 lbs.	(1097 kg)

SPECIFICATIONS

No. of Teeth	22	Teeth
Hyd. Flow up to	50 gpm	(189 lpm)
Oper. Pressure Up to	6000 psi	(413 bar)

CASE DRAIN RETURN PRESSURE

Maximum (continuous)	43 psi	(3 bar)
Intermittent (Cold Start)	73 psi	(5 bar)

The 500 HF is the standard Cutter-head shipped with our Medium-duty mulching machines and is available for High-flow Skid Steers and Compact Track Loaders.



Gyro-Trac Owns over 20 Patents and Patents Pending, including the above Cutter-head Patents.

ph:(843) 879-0208 fax:(843) 879-0218 e: sales@gyrotrac.com

Alberta, Canada: (780) 719-9743

CALL FOR A DEMO TODAY!

www.gyrotrac.com toll free +1 (866) 800-3900

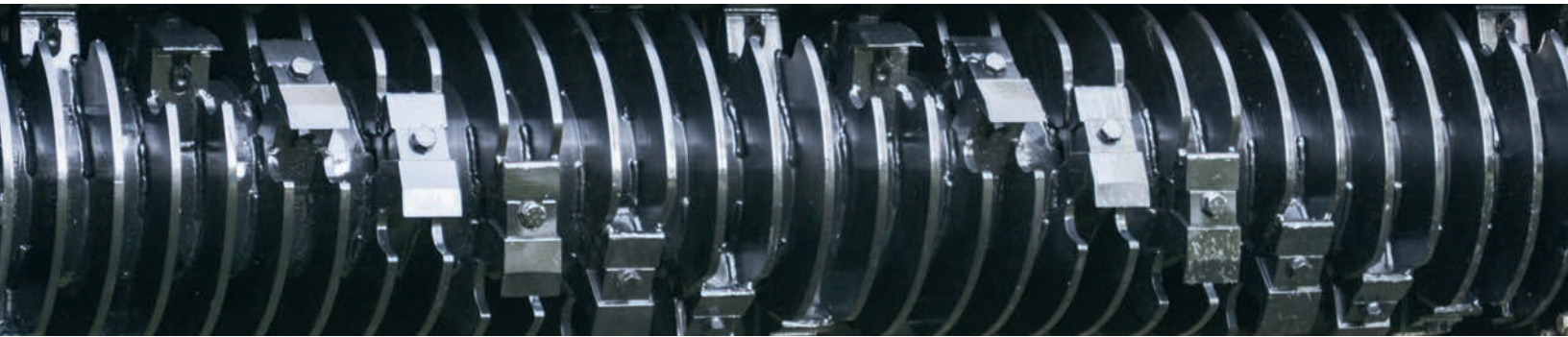
Copyright © 2019 Gyro-Trac Corporation. All rights reserved.

Gyro-Trac's SABRE-TOOTH TITAN cutting technology PULVERIZES Wood into Sawdust-like Mulch. The new SABRE-TOOTH design is the NEXT GENERATION of "disruptive technology," improving on Gyro-Trac's Planar tooth.

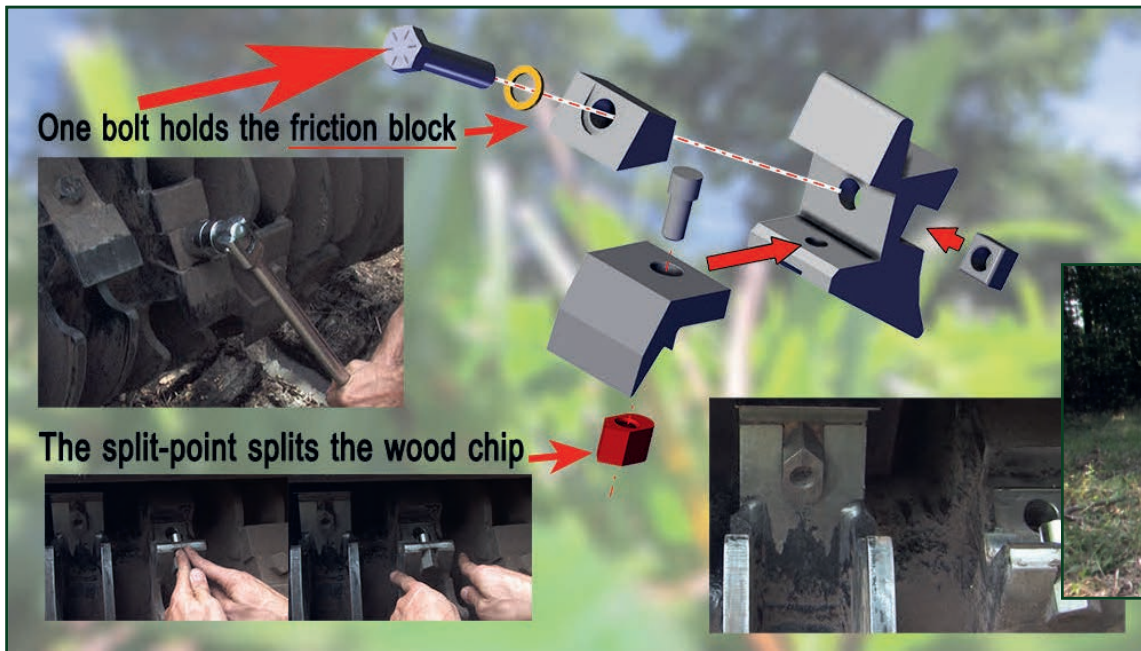
It begins with a WIDER TOOTH, held in place with a WEDGED FRICTION BLOCK, taking all the force off of the single bolt. THAT'S RIGHT! Only one bolt to quickly and easily replace worn teeth.

The CONTROLLED BITE is now achieved with TWO instead of one control rib under the tooth. The distance between control ribs is wider.

The KNOCK-OUT RELIEF that reduces resistance by allowing the wood chip to curl into the relief, now has a SPLIT BLOCK strategically placed to SPLIT THE CHIP and further REDUCE the size of the wood chip. This new design creates a SELF-CLEANING effect, clearing the tooth for the next bite.



SABRE-TOOTH CUTTING TECHNOLOGY PULVERIZES Wood into Sawdust-like Mulch



With a perfectly tuned hydraulic recipe, you can now understand how Gyro-Trac machines can mulch more wood with Less Weight, Less Energy and Less Fuel than any of our competitors. You can also understand how the smallest mulch in the business leaves behind that famous, Gyro-Trac "Park-Like effect," and the fine, rapidly biodegradable mulch just simply Won't Wick Fire, making a Gyro-Trac the perfect machine for cutting fire breaks.



700 HF Heavy Duty CUTTER-HEAD



ALWAYS THE FIRST, ALWAYS THE BEST

Gyro-Trac introduced the first front attachment with PLANAR teeth & a controlled bite RIB in 2003. It was Gyro-Trac that developed the trade name "PLANAR" tooth for mulching. Today, Gyro-Trac is first to introduce the **BEST**, most **ADVANCED** and **PATENTED** cutting technology.

INTERNAL DRIVE MOTOR

US Pat. No. 7,980,278
CA Pat. No. 2,597,973

CONTROLLED BITE

US Pat. No. 7,810,531
US Pat. App. No. 14/146,077
CA Pat. No. 2,546,294

MOUNTING ASSEMBLY

US Pat. No. 7,810,531
US Pat. App. No. 14/146,077
CA Pat. No. 2,546,294

MOUNTING STATION

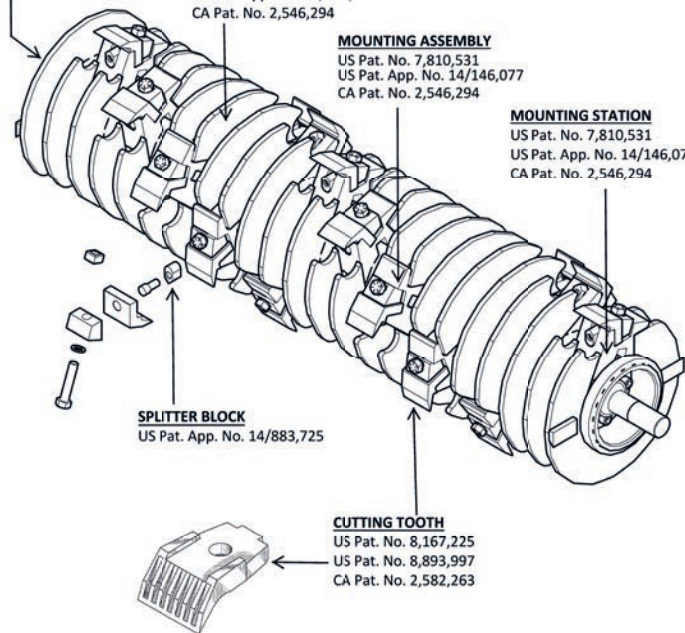
US Pat. No. 7,810,531
US Pat. App. No. 14/146,077
CA Pat. No. 2,546,294

SPLITTER BLOCK

US Pat. App. No. 14/883,725

CUTTING TOOTH

US Pat. No. 8,167,225
US Pat. No. 8,893,997
CA Pat. No. 2,582,263



Gyro-Trac Owns over 20 Patents and Patents Pending, including the above Cutter-head Patents.

ph:(843) 879-0208 fax:(843) 879-0218 e: sales@gyrotrac.com

Alberta, Canada: (780) 719-9743

CALL FOR A DEMO TODAY!

www.gyrotrac.com toll free +1 (866) 800-3900

Copyright © 2019 Gyro-Trac Corporation. All rights reserved.

DIMENSIONS

Cutting Width	92 in.	(229 cm)
Width	102 in.	(259 cm)
Depth	34 in.	(86 cm)
Height	63 in.	(160 cm)
Weight	5180 lbs.	(2355 kg)

SPECIFICATIONS

No. of Teeth	30	Teeth
Hyd. Flow up to	120 gpm	(454 lpm)
Oper. Pressure Up to	6000 psi	(413 bar)

CASE DRAIN RETURN PRESSURE

Maximum (continuous)	43 psi	(3 bar)
Intermittent (Cold Start)	73 psi	(5 bar)

The 700-HF HDM is Gyro-Trac's Largest, Most Powerful Cutter-head, for use on High Horse-power Prime Movers on Wheels or Tracks.

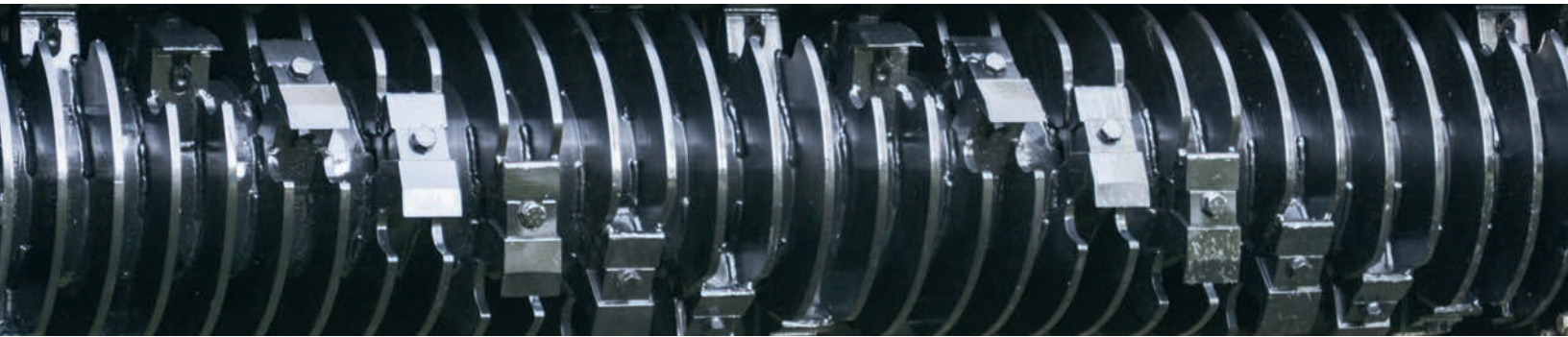


Gyro-Trac's SABRE-TOOTH TITAN cutting technology PULVERIZES Wood into Sawdust-like Mulch. The new SABRE-TOOTH design is the NEXT GENERATION of "disruptive technology," improving on Gyro-Trac's Planar tooth.

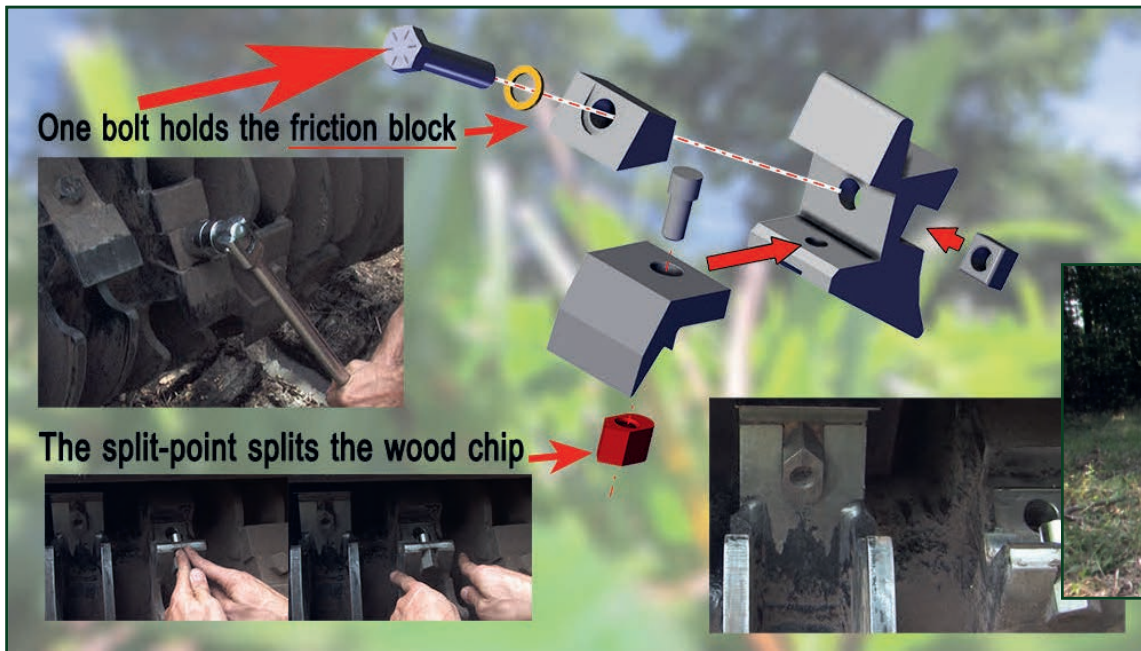
It begins with a WIDER TOOTH, held in place with a WEDGED FRICTION BLOCK, taking all the force off of the single bolt. THAT'S RIGHT! Only one bolt to quickly and easily replace worn teeth.

The CONTROLLED BITE is now achieved with TWO instead of one control rib under the tooth. The distance between control ribs is wider.

The KNOCK-OUT RELIEF that reduces resistance by allowing the wood chip to curl into the relief, now has a SPLIT BLOCK strategically placed to SPLIT THE CHIP and further REDUCE the size of the wood chip. This new design creates a SELF-CLEANING effect, clearing the tooth for the next bite.



SABRE-TOOTH CUTTING TECHNOLOGY PULVERIZES Wood into Sawdust-like Mulch



With a perfectly tuned hydraulic recipe, you can now understand how Gyro-Trac machines can mulch more wood with Less Weight, Less Energy and Less Fuel than any of our competitors. You can also understand how the smallest mulch in the business leaves behind that famous, Gyro-Trac "Park-Like effect," and the fine, rapidly biodegradable mulch just simply Won't Wick Fire, making a Gyro-Trac the perfect machine for cutting fire breaks.