

JESSE RAST ENTERPRISES

If you need your equipment **FAST** stick with the **RAST!**

Independent Distributor **CATALOGUE**



JesseRastEnterprises.com **803-420-4102**

About Us

Rast Family Farms have been in operation since 1889, harvesting generations of appreciation for hard work, honesty, and dependability. Southern living at it's finest, and hardest of times. Through it all – we pull together, for the love of God, Family, Land, and Selflessness.

Jesse Rast Enterprises has taken the family values from decades of farming, planting the seed for a better way to procure farm and agricultural equipment by eliminating “the man”, speeding up delivery, and doing what’s right. Family is special and we choose to specialize in farm and agricultural equipment.

Unlike traditional distribution, Jesse Rast Enterprises runs the equipment that is available in our portfolio.

Farm life is not transactional, and you will feel the difference in honest guidance and feedback by becoming a part of the Jesse Rast Enterprises family.





JESSE RAST ENTERPRISES



RETAIL

PRODUCT CATALOG



February 2021



Construction Implements Depot, Inc. (CID) was founded in 2003 with a combined experience of over 30 years in skid steer attachments.

Located in Denton, North Carolina, USA, we are committed to providing quality products and services at competitive prices to you, our valued customer.

We specialize in manufacturing high quality, dependable skid steer attachments, tractor loader attachments as well as specialty skid steer attachments.

All CID attachments are warranted to be free from defects in materials and workmanship for a period of (12) months from the initial sale, lease or rental date. For full warranty see page 93.

CID skid steer attachments are available with hook ups for: Universal Skid Steer Quick Attach, Mustang Single Pin, Bobcat 943, Bobcat MT50, 52, 55, Bobcat 463, Boxer Dingo RC30, Old Style Case and Old Style New Holland.

CID tractor attachments are available with hook ups for: John Deere 300, 400, 500, 600, 700 and Global, Euro/Quickie/Alo, and Pin on loaders



Table of Contents

New Products	1	Multi-Purpose Angle Blade	45
Hammers		Land Leveler	46
Skid Steer-Excavators.....	2	Ripper & Box Scrape Ripper	47
Hammer Spec Page.....	3	Multi-Purpose Power Rake.....	48
Brooms		X-treme Root Rake & Severe Root Rake	49
Pickup Broom.....	4	X-treme Rotary Tiller	50
X-treme Angle Broom.....	5	Sod Roller	51
Auger Drives		Trencher	
X-treme & Heavy Duty Auger Drives	6	Trencher	52
Backhoes		Hay Equipment	
X-treme Stiff Arm Backhoe	7	Heavy Duty & X-treme Hay Bale Squeezer	53
X-treme Swing Arm Backhoe	8	Double Adjustable Bale Spear	53
Brush Cutters		Single, Double, Triple & Quad Hay Spear.....	54
Standard Duty Brush Cutter	9	High Back Single, Double & Triple Hay Spear	55
Heavy Duty Brush Cutter	10	Hay Grapple Bucket	56
X-treme Piston Motor Brush Cutter 27-35 & 30-48 gpm	11	Hay Grapple Accumulator	57
X-treme Piston Motor Brush Cutter 17-27 gpm.....	11	Log Splitters	
X-treme Brush Cutter	12	Inverted & Horizontal Log Splitter (40 ton)	58
Severe Bent Axis Piston Cutter 72" & 78"	13	Manure Forks and Manure Fork Grapple	
Piston Motor Swing Boom Brush Cutter.....	14	Compact Tractor & X-treme Manure Forks	59
Swing Boom Brush Cutter	15	Compact Tractor & X-treme Manure Fork Grapples.....	60
Excavator Cutters		Pallet Forks	
X-treme Excavator cutter 14-20 gpm with no mount.....	16	Sub Compact Pallet Forks & Frame (LC1)	61
X-treme Excavator cutter 20-26 gpm with no mount.....	16	CT & Standard Duty Pallet Forks & Frame (CL2)	62
X-treme Excavator cutter 24-30 gpm with no mount.....	16	HD & HD Hydraulic Pallet Forks & Frame (CL2).....	63
Standard Excavator cutter 12-17 gpm with no mount	16	HD Walk Through Pallet Forks & Frame (CL2)	64
Standard Excavator cutter 17-24 gpm with no mount.....	16	X-treme Pallet Forks & Frame (CL3).....	65
Severe Excavator cutter	17	Fork Grapple & Mat Grapple	66
Forestry Disc Mulcher		Skid Steer Conversions	
Forestry Disc Mulcher 44"	18	Skid Steer Conversion	67
Forestry Disc Mulcher 60"	19	Excavator Conversions	
4-in-1 Buckets		Excavator Conversion	68
CT, SD, HD, 4-N-1 Buckets	20	Snow Removal Equipment	
Severe & X-treme 4-N-1 Buckets	21	Compact Tractor & Heavy Duty Snow Plow	69
Buckets		X-treme Snow Plow	70
Concrete/Cement Bucket	22	Compact Tractor & X-treme Snow Pusher	71
X-treme High Dump Bucket	23	Snow & Litter Bucket.....	25
Long Bottom & Low Profile Buckets.....	24	High Capacity Snow Bucket.....	26
Snow & Litter Bucket & Turkey Litter Bucket.....	25	Snow Blower	72
High Capacity Snow Bucket.....	26	Specialty Equipment	
Track Loader Buckets	27	Receiver Hitch, Receiver Gooseneck Hitch & 3-Point Hitch..	73
Compact Tractor & Heavy Duty Tractor Bucket	28	Boom Pole.....	74
X-treme Duty Tractor Bucket.....	29	Telescopic Boom Pole	75
Compact Tractor & Standard Duty Rock Bucket	30	Tooth Bar & Universal Skid Steer Quick Attach	76
X-treme & Heavy Duty Rock Bucket	31	Concrete Claw.....	77
Grapples		Tree & Stump Removal Equipment	
Compact Tractor & Standard Duty Rock Grapple	32	Fixed Tree Saw	78
X-treme & Heavy Duty Rock Grapple	33	Manual Rotating Tree Saw	79
Compact Tractor & Ultra-Light Root Grapple	34	Terminator Tree and Stump Remover	80
Heavy Duty & Standard Duty Root Grapple	35	Tree & Post Puller	81
X-treme & Severe Duty Root Grapple.....	36	X-treme Tree Shear	82
Compact Tractor & Standard Duty Grapple Rake	37	X-treme Rotating Tree Shear (Hydraulic or Manual)	83
X-treme & HD Grapple Rake	38	Tree Spade	84
Severe Grapple Rake.....	39	Heavy Duty Stump Bucket & X-treme Stump Bucket....	85
Monster Root Grapple.....	40	X-treme Stump Grapple	86
Grapple Buckets		Mini Skid Steer Attachments	
Monster Grapple Bucket.....	40	Dingo/Boxer/Ramrod/DitchWitch/Thomas Attachments	
CT, SD, & HD Grapple Buckets.....	41	MT50/MT52/MT55/Bobcat 463 Attachments	87-92
X-treme Grapple Buckets.....	42	Warranty	93
Demo Dozer	43	Warranty Service	94
Ground Management Equipment		Pin on diagram	95
X-treme 4-Way & 6-Way Dozer Blade	44		



NEW PRODUCTS

The following are our new products: 2021.
Please call CID for further information.

HYDRAULIC BREAKERS/HAMMERS	2-3
SEVERE EXCAVATOR CUTTER	17
SEVERE 4-N-1 BUCKET	21
STANDARD DUTY ROCK BUCKET	30
STANDARD DUTY ROCK GRAPPLE.....	32
ULTRA ROOT GRAPPLE.....	34
SEVERE ROOT GRAPPLE.....	36
SEVERE GRAPPLE RAKE.....	39

PRODUCTS COMING SOON

- **STUMP GRINDER**
- **DRUM MULCHER**
- **TILT-TACH**
- **CONCRETE MIXER**

Hydraulic Breaker/Hammer



The CID Hydraulic Breaker/Hammers are designed to provide the highest impact power available, while reducing stress on your machine. The combination of easy maintenance and repair with lowered operating cost will maximize your investment. The CID Breaker/Hammer can handle all the toughest construction and demolition jobs. All models come with 2x working tools, hose set and gas charging kit, repair toolbox, parts breakdown, and Owners Manual.

- Available in Mini Skid, Skid Steer and Excavator Models
- Ships with Moil and Blunt Tool
- Ships Pre-charged
- Mounting Brackets Included
- Two Year Warranty
- Additional Work Tools Available

Hydraulic Breaker/Hammer

Floating Power Cell and Bolt Free Enclosed Housing

- Prevents carrier boom and arm fatigue failure
- No metal-to-metal contact
- Floating and fully enclosed power cell
- Extended breaker and carrier service life
- Low noise
- Suitable for all applications, particularly trenching, quarry and mining

Advanced Internal Valve System

- Built-in cylinder
- Energy efficiency
- Oil leakage free
- Thicker flesh cylinder block
- Lower maintenance and repair requirements

Work Mode Selector

- Optimizes power and speed for application requirements
- Enables maximum productivity in all applications from light to heavy-duty material breaking
- Available for CBR1000 and above

Large Capacity Accumulator And Diaphragm

- Proactively prevents carrier hydraulic part fatigue failure
- Accelerates striking performance
- Prevents cavitation
- Increases seal and diaphragm service life
- Available for CBR650 and above (excluding skid steer loader breaker)

Tool Pin Hole Protector

- Minimizes direct contact between holes and material to breaker
- Protects tool pin hole damage from debris
- Extends tool pin and working tool wear life
- Prevents hole cover missing and debris/dust entry

Easy Start

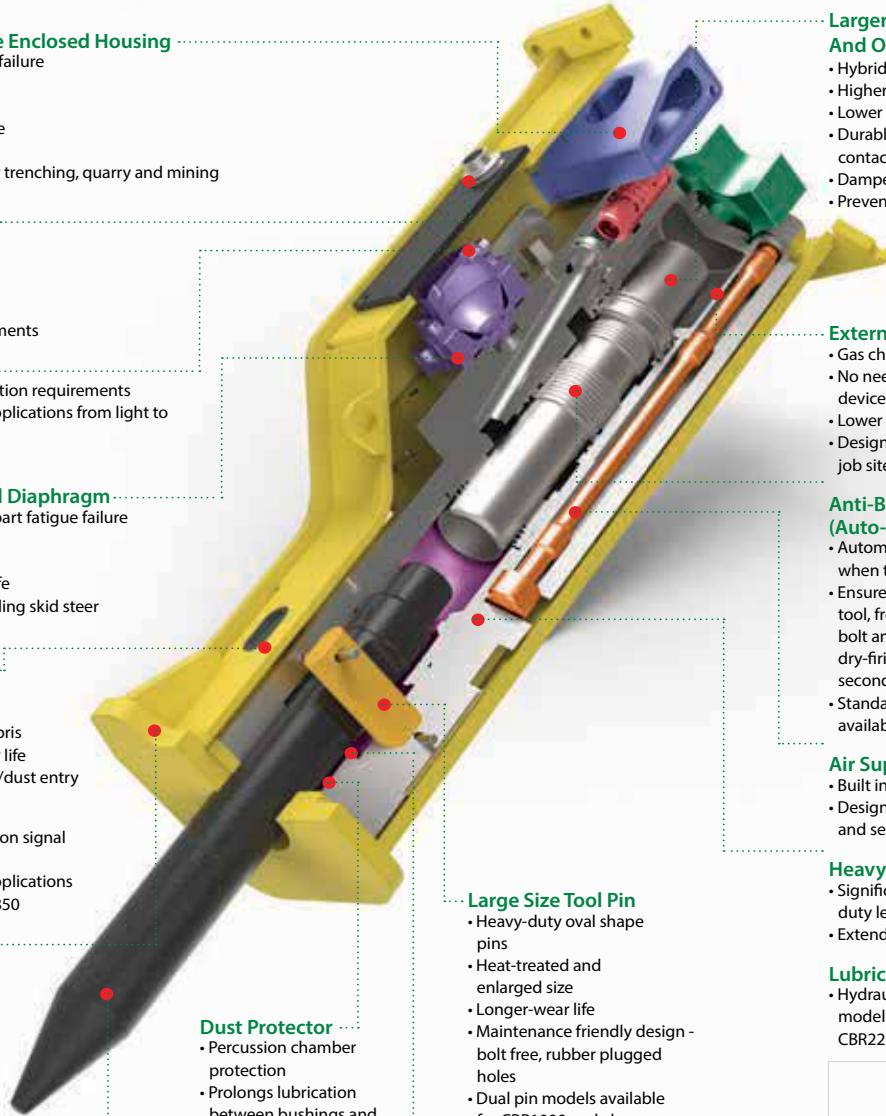
- Faster response time to breaker activation signal
- Significantly increases productivity
- Suitable for skid steer loader breaker applications
- Available for CBR500, CBR650 and CBR850

Bottom Plate

- Anti-abrasive high-tensile raw material
- Fully-enclosed lower bushing and front head block
- Minimize debris and dust entering percussion chamber
- Increases service life of housing, tool, lower bushing and front head

Working Tool

- Heat-treated core surface
- Optimum balance for longer wear life and crack prevention
- Variety of conventional and special tool types



Larger Capacity Gas Chamber And Optimum Piston Size

- Hybrid energy-efficient design
- Higher impact power delivery
- Lower oil flow consumption
- Durable piston design - larger surface contacting working tool
- Dampens repercussion vibration force
- Prevents carrier structure fatigue failure

External Gas Charging

- Gas charging from external housing
- No need for housing or lubrication device disassembly
- Lower maintenance time
- Designed for easy maintenance at the job site

Anti-Blank Firing System (Auto-Stop)

- Automatically cuts off hydraulic power when the material is fully broken
- Ensures service life of tool pin, working tool, front head, piston, through bolt and diaphragm even with frequent dry-firing applications such as rental, secondary rock breaking and scaling
- Standard for CBR2200 and above and available for CBR850

Air Supply Channel

- Built in air supply channel
- Designed for underwater, tunneling and severe dust applications

Heavy-Duty Front Head Block

- Significantly enhanced front head duty level
- Extended front head service life

Lubrication

- Hydraulic auto-lube system standard on model CBR1000 and up and optional for CBR225 - CBR850

Large Size Tool Pin

- Heavy-duty oval shape pins
- Heat-treated and enlarged size
- Longer-wear life
- Maintenance friendly design - bolt free, rubber plugged holes
- Dual pin models available for CBR1000 and above

Bushings

- Differentiated anti-wear raw material
- Higher core hardness
- Extended wear life

Dust Protector

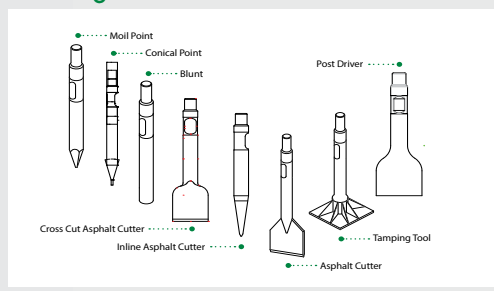
- Percussion chamber protection
- Prolongs lubrication between bushings and working tool
- Prevents contamination
- Increases life of seal, bushings, working tool, piston and cylinder in severe dust applications



Ultimate Performance

- Higher impact power
- Higher productivity
- Market-proven quality, durability and lifespan
- Easy maintenance and repair
- Low-fatigue stress on carrier machines
- Reasonable cost
- Lower operating cost
- Higher return on investment

Working Tools



Special Working Tool	Application			
	Asphalt Removal	Compacting	Post Driving	Severe Duty (Rock Removal)
Asphalt Cutter	✓			
Tamping Pad		✓		
Post Driver			✓	

Conventional Working Tool	Application				
	Primary Breaking	Secondary Breaking	Hard Rock Removal	Soft Material and Rock Material	Demolition
Cross Cut Asphalt Cutter	✓		✓	✓	✓
Inline Asphalt Cutter	✓		✓	✓	✓
Moll Point	✓		✓	✓	✓
Conical Point	✓		✓	✓	✓
Blunt Point		✓	✓		✓

✓ Highly-Recommended

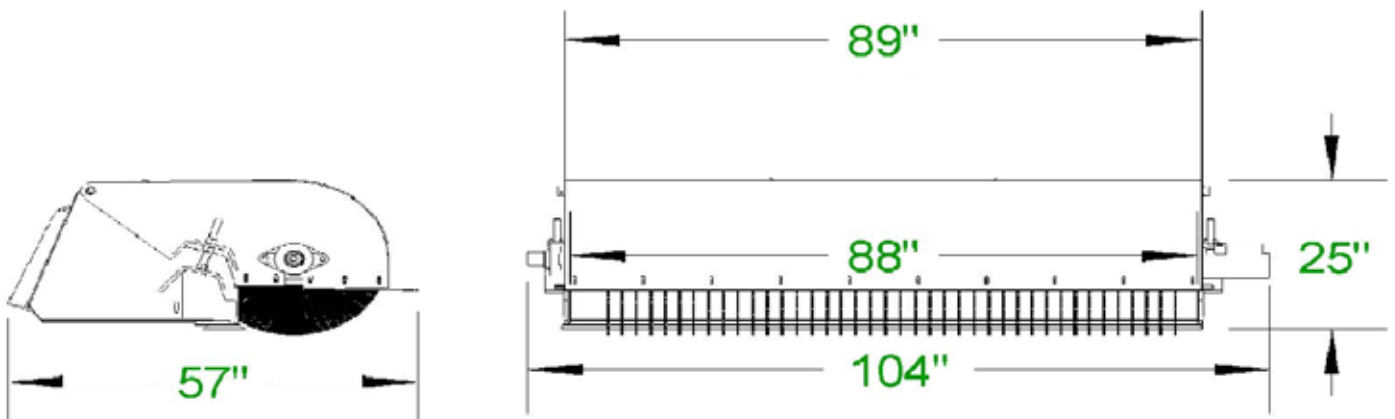
Pickup Broom



The CID Pickup Broom allows for added efficiency while cleaning. Whether sweeping dirt, light snow, or other debris; our Pickup Broom will easily tackle the job. The 8" Hub and 26" wafers sweep material into the bucket, and the manual hinging broom allows for easy transfer and disposal. Our Pickup Broom has adjustable height to allow for different scenarios and wear.

- Available in poly, wire, or mix
- Available in 72" or 84" Widths

Pickup Broom Specs



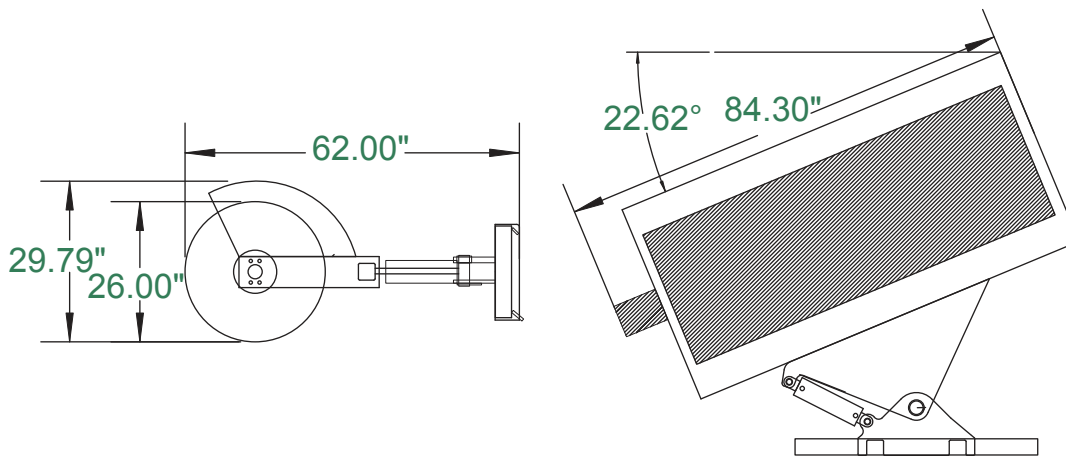
X-treme Angle Broom



Our X-treme Angle Broom is hydraulically-driven and is an ideal, efficient and effective way to sweep away dirt, light snow and other debris. It is available in 48", 60", 72" and 84" widths and comes with your choice of hydraulic or manual angles. This attachment is powered by a reversible high torque motor. It has an 8" core and a 26" wafer. Poly and steel wafers are available. The 48" width is compatible with Mini Skid Steer Attachments.

- Available with manual or hydraulic angle
- Your choice of poly, steel, or mixed wafers
- Cylinder size 2" x 6"
- Broom angles left and right
- Available sizes: 48", 60", 72", 84"
- Optional 32" wafers with 10" core
- Available with universal, 8 or 14 pin wiring harness

X-treme Angle Broom Specs



Heavy Duty Auger Drive



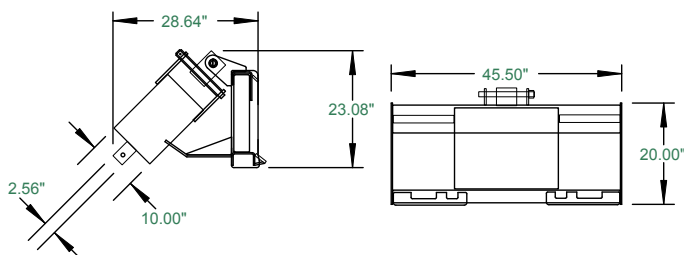
X-treme Auger Drive



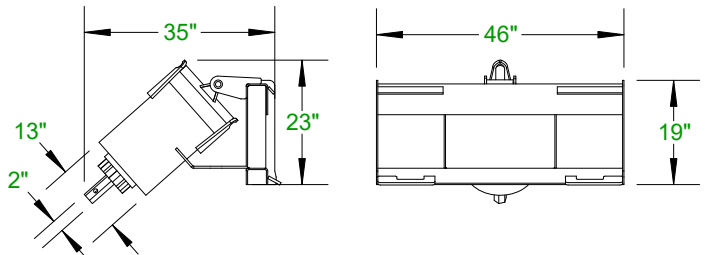
- Direct drive through planetary gear
- Mounting plate, hoses and couplings included
- Various auger bit sizes and styles are available
- Heavy duty output shaft
- Heavy duty auger capable of driving up to 36" bit
- X-treme auger capable of driving up to 48" bit
- Excavator mounts available

Our new X-treme auger drive has a new robust planetary gearbox capable of driving a 48" diameter auger. The X-treme auger drive you had known in the past is now our heavy duty auger drive and is still capable of driving up to a 36" diameter auger. The X-treme auger drive comes in a 2" hex drive while the heavy duty auger comes in a 2" hex or 2 9/16" round drive.

Heavy Duty Auger Drive Specs



X-treme Auger Drive Specs



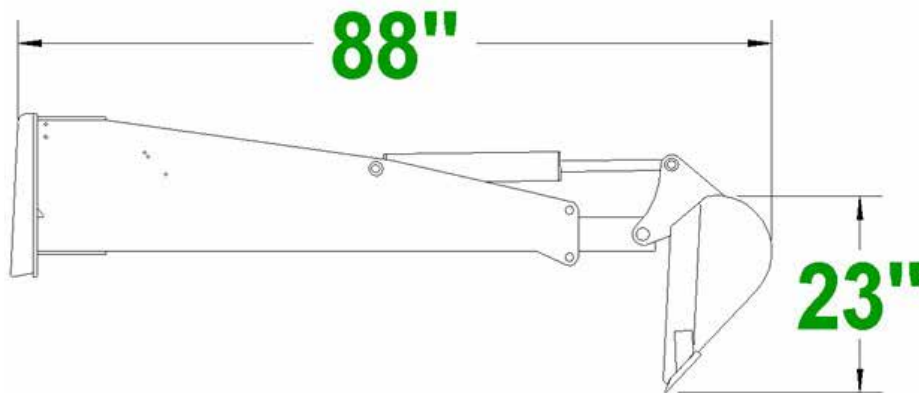
X-treme Stiff Arm Backhoe



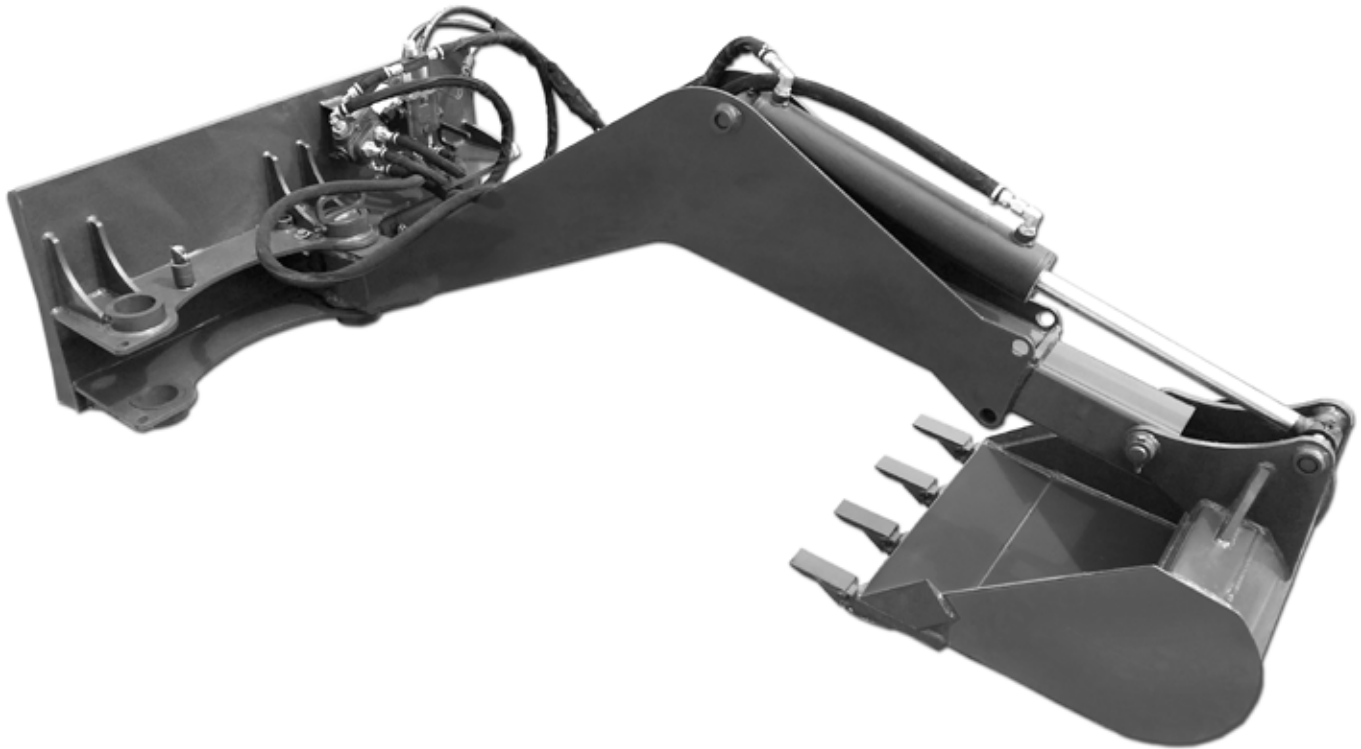
Our X-treme Stiff Arm Backhoe is an excellent tool for digging ditches, removing stumps and digging footings. With the option of adding a thumb, you can move logs, chunks of cement and most anything else. Buckets come in sizes of 8", 12", 16", 20" and 24". The bucket is powered by an American made 3" x 16" cylinder. With 7' of digging depth and 14,000 lbs. of ripping force, it is an aggressive digging machine.

- Optional thumb attachment
- Digging depth of 7'
- 3" x 16" cylinders
- Available bucket sizes: 8", 12", 16", 20", 24"

X-treme Stiff Arm Backhoe Specs



X-treme Swing Arm Backhoe

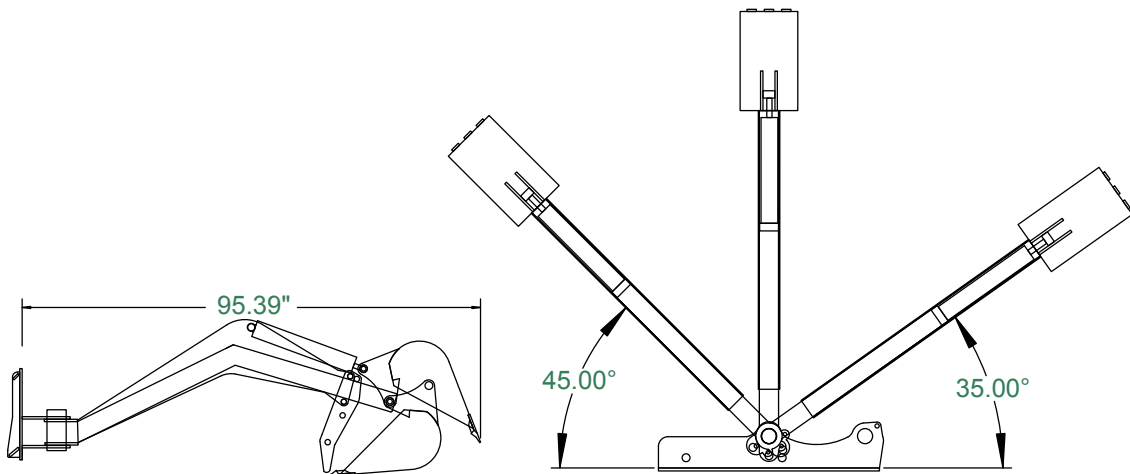


Our X-treme Swing Arm Backhoe is an excellent tool for digging ditches, removing stumps and digging footings. It uses an electric over hydraulic control to operate both the bucket and swing cylinder from one auxiliary valve on your machine. This allows a 110 degree swing right or left.

With the option of adding a thumb, you can move logs, chunks of cement or just about anything else. Buckets come in sizes of 8", 12", 16", 20" and 24". The bucket is powered by an American made 3" x 16" boom cylinder and 3" x 6" swing cylinder. With 7' of digging depth and 14,000 lbs of ripping force, it is an aggressive digging machine.

- 110 degree swing right or left
- Powered by an American made 3" x 16" boom cylinder and swing 3" x 6" cylinder.
- Available bucket sizes: 8", 12", 16", 20", 24"
- Available with universal 8 or 14 pin wiring harness

X-treme Swing Arm Backhoe Specs





Open Front

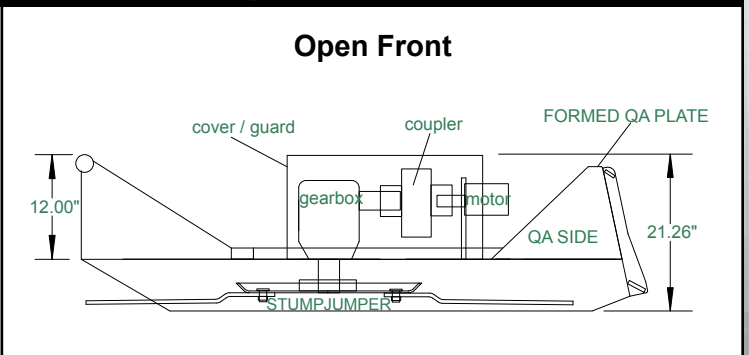
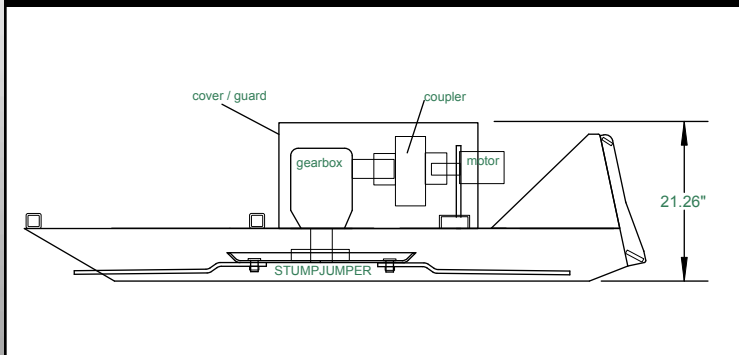


Our Standard Duty Brush Cutter comes with a 60" or 72" mowing deck. It features 2 blades, a 40HP gear box and stump jumper. A flow of 11–20 gpm is required. Optional mesh grill available on open front. The one year warranty does not cover the blades or hoses. (Please see page 93 of the catalog for full warranty).

Standard Low Flow Brush Cutter 11 – 20 GPM

- 3" cutting capacity
- 3/16" deck with 3/8" A36 reinforced sides
- 40HP right angle gear box
- 2 blades with stump jumper
- High torque motor with built in relief valve
- Does not require a case drain
- Optional mesh grill available on open front

Standard Low Flow Brush Cutter Specs



Heavy Duty Brush Cutter

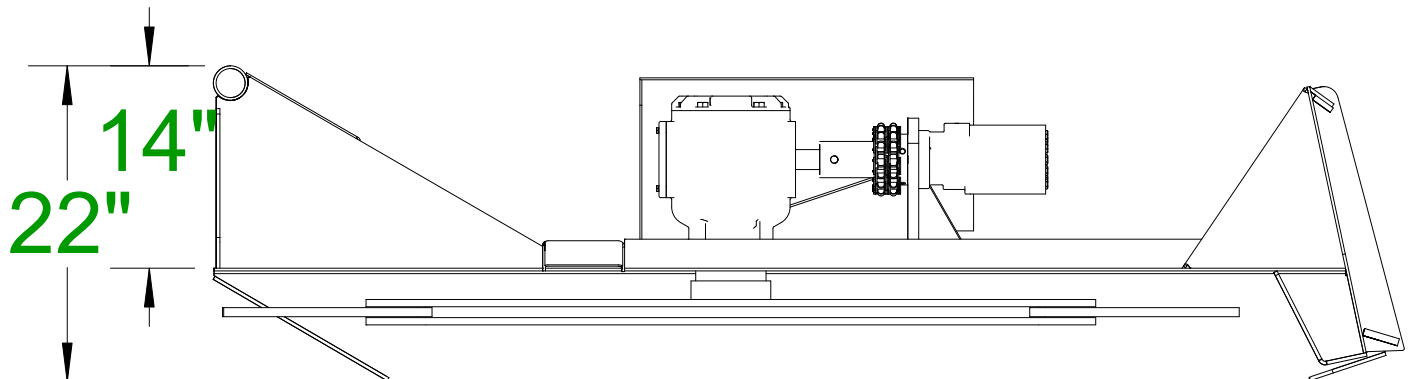


Our Heavy Duty Brush Cutter comes with a 60" or 72" mowing deck. It features a RC100 gear box, Parker motor and fabricated blade holder with bidirectional blades. A flow of 14–20 gpm is required. The one year warranty does not cover the blades or hoses. (Please see page 93 of the catalog for full warranty).

Open Front Heavy Duty Brush Cutter

- 4" cutting capacity
- 3/16" deck with 3/8" A36 reinforced sides
- RC100 gear box
- Parker motor
- 2 blades with 5/8" AR400
- Does not require a case drain
- Motor Upgrade available to 16-26 GPM on this model

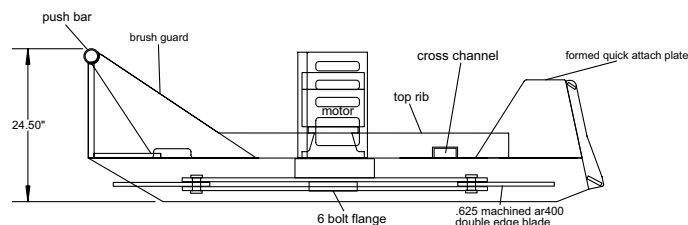
Heavy Duty Open Front Brush Cutter Specs





Our X-treme Brush Cutter is an ideal attachment for tough clearing applications. The cutter comes in a 60", 72", 78" or 84" cutting width. It is equipped with bidirectional blades, powered by a high torque direct drive piston motor and bearing housing. We offer flows of 17–27 gpm, 27-35 gpm and 30–48 gpm. The one year warranty does not cover the blades or hoses. (Please see page 93 of the catalog for full warranty).

X-treme Brush Cutter Specs



X-treme Brush Cutter 30 – 48 & 27 – 35 GPM

- 7" cutting capacity
- 1/4" deck with sides reinforced with 3/8" AR400
- Piston Motor direct drive
- 3 Bidirectional blades made with 5/8" AR400
- Requires a case drain
- Available in 60", 72", 78" or 84" cutting width
- 1/2" Double clover leaf shaped blade holder
- Optional mulching teeth

X-treme Brush Cutter 17 – 27 GPM

- 7" cutting capacity
- 3/16" deck with sides reinforced
- 3 Bidirectional blades made with 5/8" AR400
- Requires a case drain
- Piston Motor direct drive
- Available in 60", 72", 78" or 84" cutting width
- 3/8" Double clover leaf shaped blade holder
- Optional mulching teeth 60"-9x, 72" / 78" / 84"-12x
- 3/4" hoses



20-30 GPM Shown

X-treme Brush Cutter 14 – 20 GPM

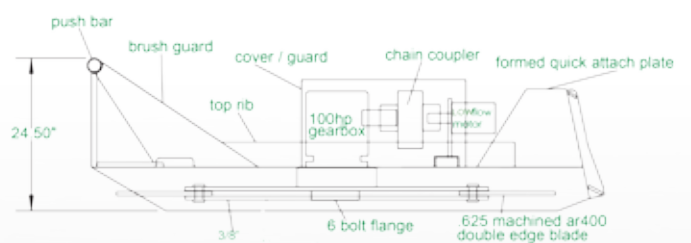
- 6" cutting capacity
- 3/16" deck with sides reinforced with 3/8" AR400
- 3 Bidirectional blades made with 5/8" AR400
- Does not require a case drain
- High torque Parker motor with built in relief valve
- 3/8" Double clover leaf blade holder
- 100 HP right angle gear box with 6 bolt flange blade carrier
- 1/4" Deck optional upgrade
- Optional Mulching Teeth
- Motor Upgrade available to 16-26 GPM on this model

X-treme Brush Cutter 20 – 30 GPM

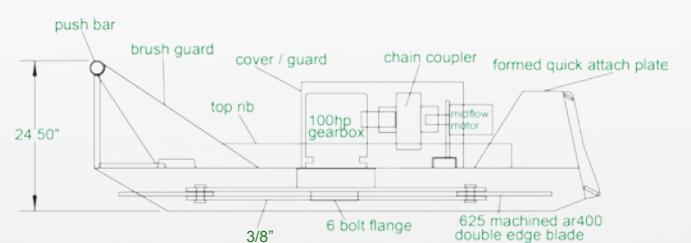
- 6" cutting capacity
- 3/16" deck with sides reinforced with 3/8" AR400
- 3 Bidirectional blades made with 5/8" AR400
- Does not require a case drain
- High torque Parker motor
- 3/8" Double clover leaf blade holder
- 100 HP right angle gear box with 6 bolt flange blade carrier
- 1/4" Deck optional upgrade
- Optional Mulching Teeth

Our X-treme Brush Cutter is an ideal attachment for tough clearing applications. The cutter comes in a 60", 72", or 78" cutting width. It is equipped with bidirectional blades, powered by a high torque motor and features a 100-hp Omni gear box. A flow of 14–20 gpm is required on the low flow, 20–30 gpm on the mid flow. The one year warranty does not cover the blades or hoses. (Please see page 93 of the catalog for full warranty).

X-treme Brush Cutter 14-20 GPM Specs



X-treme Brush Cutter 20-30 GPM Specs



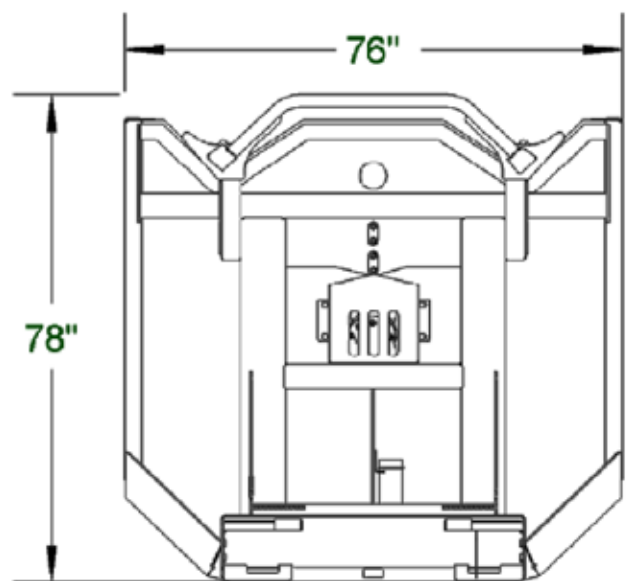
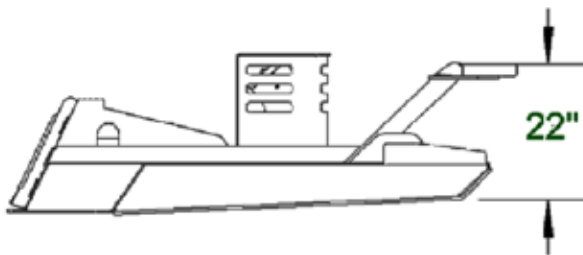
Severe Duty Bent Axis Piston Cutter



The CID Severe Duty Piston Cutter is powered by a Parker bent axis piston motor. With a continuous cutting capacity of 10 inches, you will make quick work of your brush cutting needs. The 72" cutter has four blades/16 mulching teeth, and the 78" cutter has four blades/20 mulching teeth. Either option will allow for the ultimate mulching capability. Available in a 20-30 GPM Flow Motor, and a 30-50 GPM Flow Motor. The Severe Duty Cutter requires a case drain.

- 3/4" AR400 Blades
- AR 400 Replaceable skid shoes
- 155,000 PSI round 4 blade carrier
- 1/4" Deck
- Parker bent axis motor
- Offered in 72" and 78" cut width

Severe Duty Piston Cutter Specs

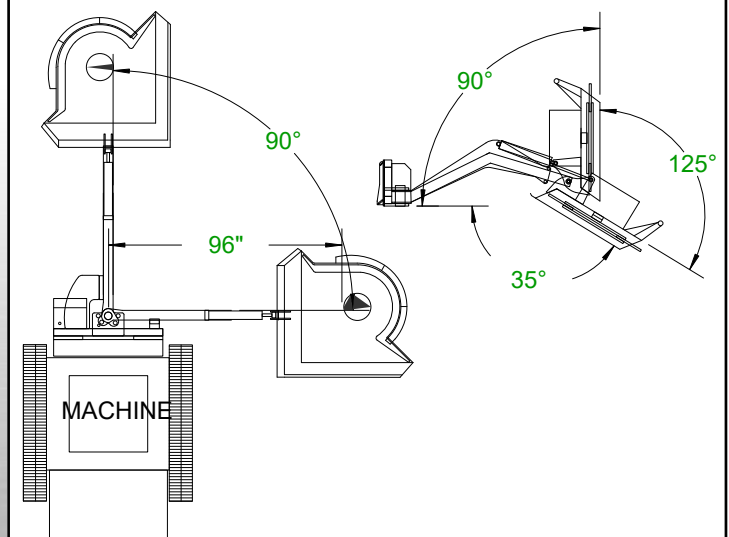


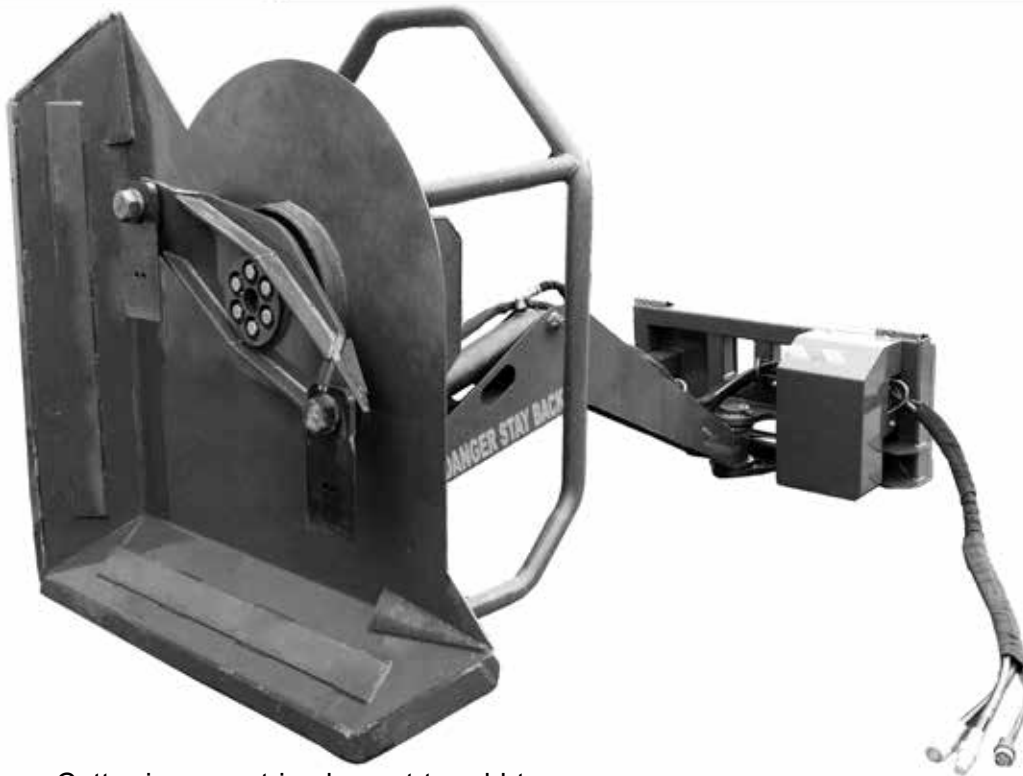


Our Swing Boom Cutter is a great implement to add to your collection. It is designed for cutting banks, fence lines, and right of ways. It also works great for clearing pond banks and cutting trails. This cutter has a significant reach advantage over our typical cutter. With a reach of 96" when extended horizontally and a vertical reach of sixteen feet, it makes clearing unwanted tree limbs less of a hassle. The cutter will also swing to the right and can be used as a side cutter. It is powered by a direct drive piston motor on a bearing housing with 4000 Max PSI. A flow of 17-27 gpm is required. The one year warranty does not cover the blades and hoses. (Please see page 93 of the catalog for full warranty)

- Reach advantage over our typical cutter
- Can be used as a side cutter
- Direct drive piston motor with max 4000 PSI
- 3" x 16" tilt cylinders
- 5/8" AR400 Blades
- 44" Cut
- 4" cutting capacity
- Requires a case drain
- Available with a universal, 7 pin, 8 pin, or 14 pin wiring harness

Swing Boom Cutter Specs

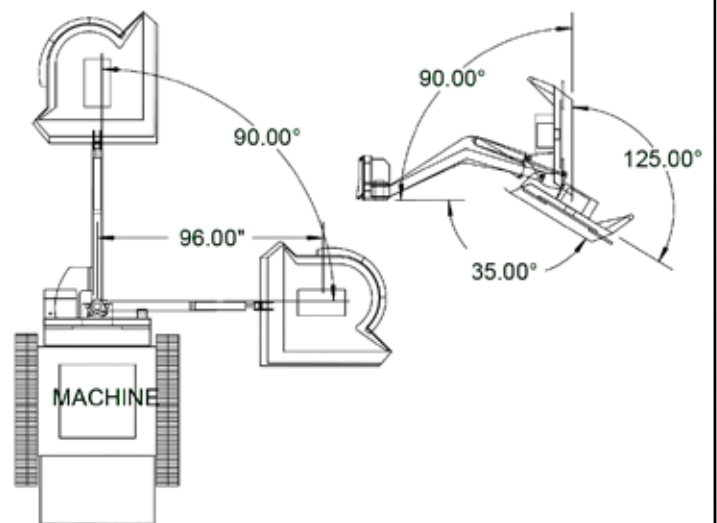




Our Swing Boom Cutter is a great implement to add to your collection. It is designed for cutting banks, fence lines, and right of ways. It also works great for clearing pond banks and cutting trails. This cutter has a significant reach advantage over our typical cutter. With a reach of 96" when extended horizontally and a vertical reach of sixteen feet, it makes clearing unwanted tree limbs less of a hassle. The cutter will also swing to the right and can be used as a side cutter. It is powered by a high torque motor with built in relief valve with a maximum supply pressure of 4000 PSI. A flow of 14-20 gpm is required. The one year warranty does not cover the blades and hoses. (Please see page 93 of the catalog for full warranty)

- Maximum supply pressure of 4000 PSI
- Can be used as a side cutter
- High torque motor with built in relief valve
- 3" x 16" tilt cylinders
- 5/8" AR400 Blades
- 44" Cut
- 3" cutting capacity
- Does not require a case drain
- Available with a universal, 7 pin, 8 pin, or 14 pin wiring harness

Swing Boom Cutter Specs



Excavator Brush Cutter

Both models have bolt on mounts that allow you to change machines with ease.



X-treme duty Picture shown with optional knee

With our X-treme Excavator Brush Cutter, you will clear dense brush and trees up to 3" in diameter with the long lasting AR400 steel blades. Our X-treme Excavator Cutters are designed for Excavators with an operating weight of 12,000 lbs and over. The small size easily maneuvers in tight spaces at a job site, around buildings, fence lines or on your property. We have three different motor and gearbox combinations to achieve the highest torque available while maintaining a proven blade tip speed ideal for your operating machine.

- Cut trees up to 3" in diameter.
- AR400 steel blades.
- 14-20 gpm, 20-26 gpm, or 24-30 gpm.
- Debris chains optional
- Optional Star Motor (No Case Drain Required)
12-29 GPM



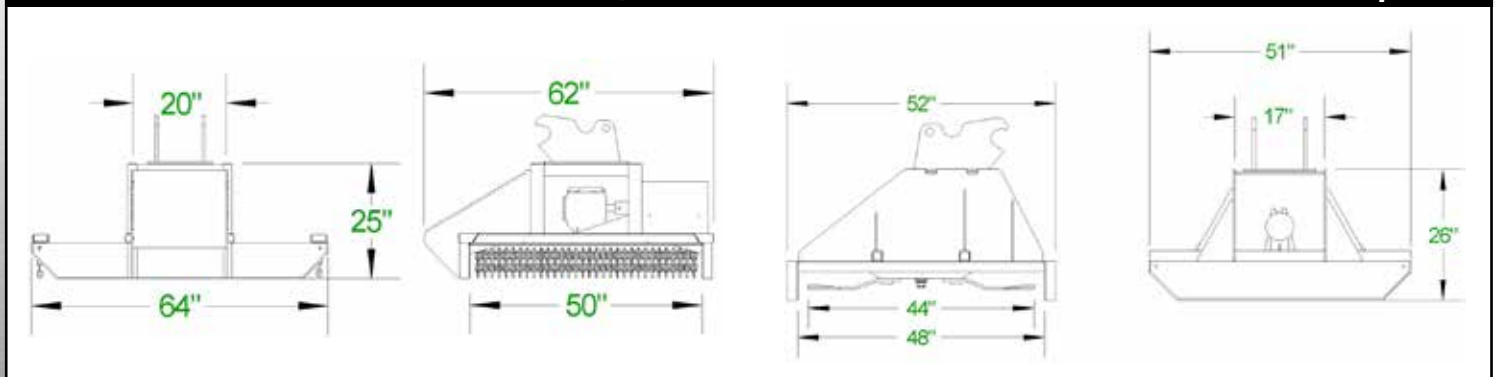
Standard Duty

Our Standard Duty version is designed for mini excavators under 12,000 lbs. operating weight. It is offered in two different motor options that will allow you to clear dense brush and saplings up to 2" in diameter with long-lasting high tempered steel blades.

- Cut trees up to 2" in diameter.
- 2 blades with stump jumper.
- 12-17 gpm, 17-24 gpm.
- Optional Star Motor (No Case Drain Required)
12-29 GPM

X-treme Excavator Brush Cutter Specs

Standard Excavator Brush Cutter Specs



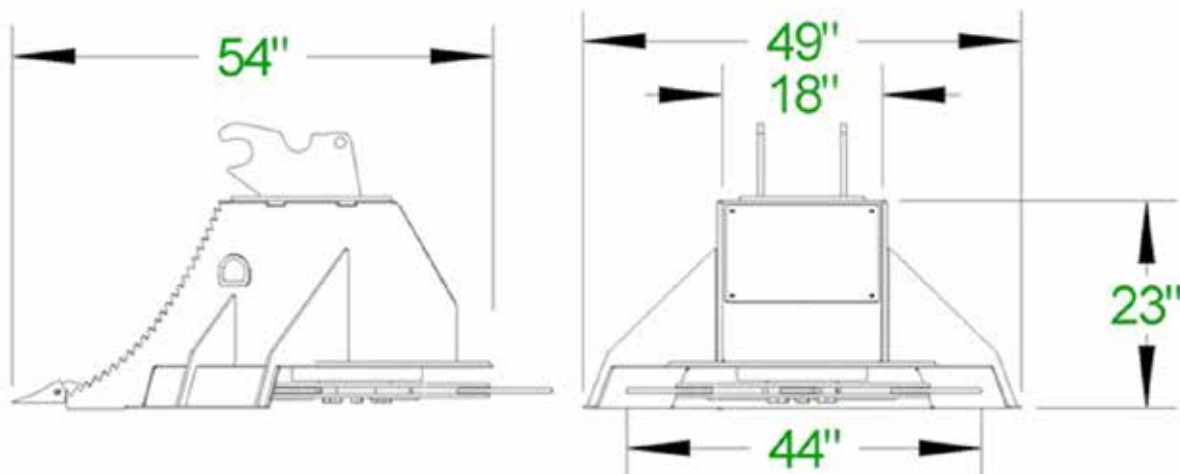
Severe Excavator Cutter



The CID Severe Excavator Brush Cutter is a beast for machines that are 12K to 18K In weight. With a Parker bent axis piston motor, 3 cutting blades and mulching teeth, it can easily take down 6" diameter trees. The cut width is 44", and we have two flow options: 17-35 GPM and 35 and over GPM. This cutter will require a case drain.

- 44" Cut Width
- 6" Diameter Cutting Capacity
- 3x AR400 Cutting Blades
- 12x Mulching Teeth
- 17-35 GPM Motor and 35+ GPM Motor

Severe Excavator Brush Cutter Specs



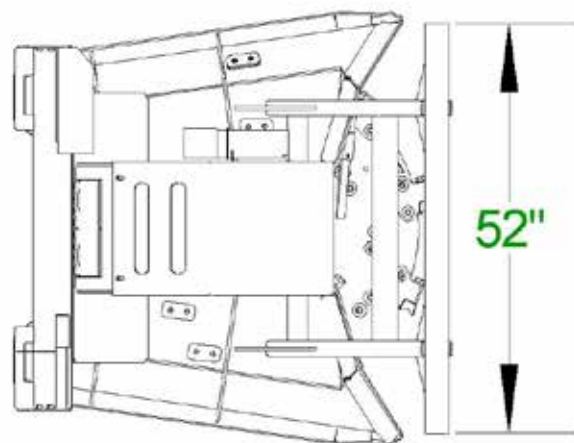
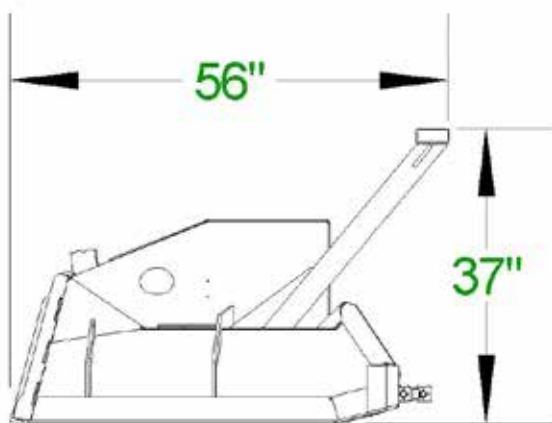
Forestry Disc Mulcher 44"



The Forestry Disc Mulcher can mulch 4" material in seconds, and cuts 8" diameter trees with ease. This mulcher features a 44" diameter cutting area, and a machined and statically balanced disc. Available with two motor combinations, a 100 CC 20-30 GPM, or a 150 CC 30-44 GPM. The disc holds a total of 30 mulching teeth, and the deck has an additional 4 mulching teeth, providing the muscle for your toughest clearing needs.

- 44" Diameter Disc-No Welding
- 100 CC Motor Requires 20-30 GPM
- 150 CC Motor Requires 30-44 GPM
- 3/8" Deck and Sides Allow for below ground cutting
- Teeth on all surfaces, deck, and sides
- 1" Hinged Deflector Plate
- Larger Trees can be vertically mulched quickly
- Nimble and easily maneuvered

Forestry Disc Mulcher 44" Specs



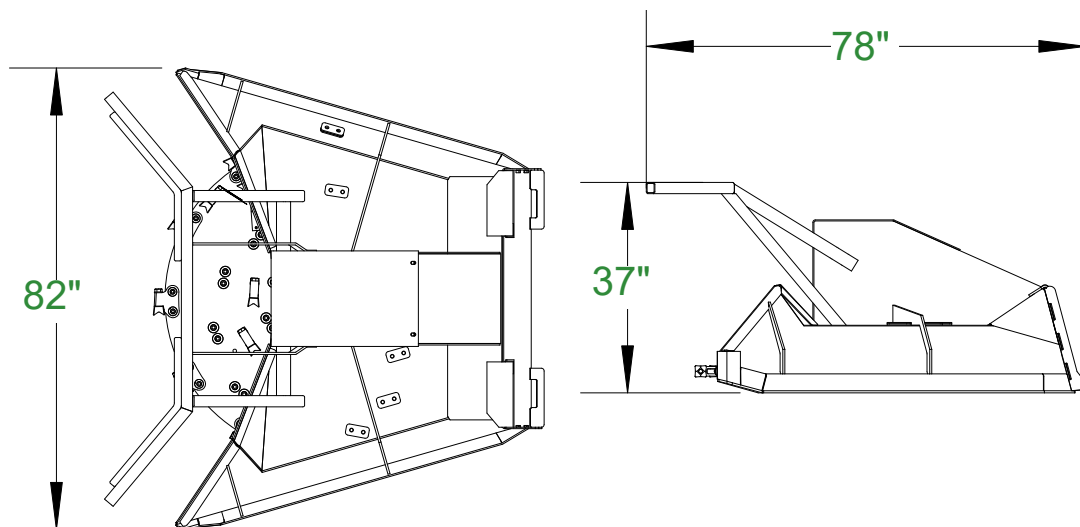
Forestry Disc Mulcher 60"



- 60" fully machined disc – no welding on disc
- 150cc motor requires 32-44 GPM, 3200-5000 PSI
- 200cc motor requires 45-60 GPM, 3200-5000 PSI
- 3/8" thick deck & reinforced sides
- Teeth on top & bottom of blade
- 1" thick hinged deflector
- Throws material away from the machine
- Allows below ground cutting

The CID Forestry Disc Mulcher 60" features a robust 60" diameter fully machined disc leaving no job to tough to tackle. With a robust 60" diameter fully machined disc, there is no job too tough to tackle. Mulches 6" material in a matter of seconds and cuts 14" diameter trees like it is nothing. (Please see page 93 of the catalog for warranty info).

Forestry Disc Mulcher Specs



4-N-1 Buckets

Compact Tractor / Standard Duty / Heavy Duty

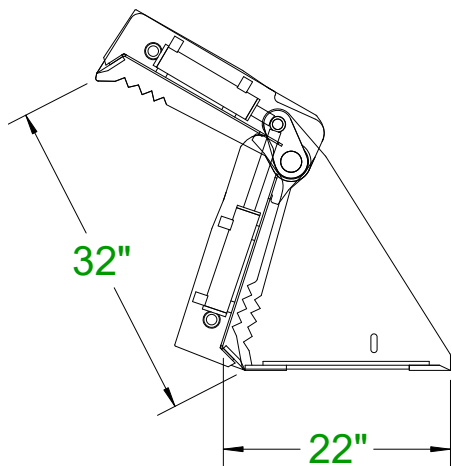


The CID 4-N-1 Buckets are versatile attachments for your skid steer. These attachments are ideal for grappling, dozing, backfilling, loading, digging and fine grading.

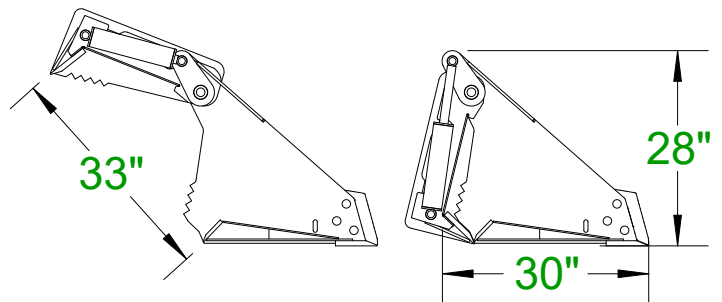
The cylinders on our compact tractor 4-N-1 Buckets have a 2" bore, and our Standard Duty & Heavy Duty 4-N-1 Buckets have a 2.5" bore. The 4-N-1 Buckets are equipped with a 1/2" x 6" cutting edges and 1/2" x 4" at all other engaging points. The 4-N-1 Buckets are built with top quality steel, oversized pins and bushings, with grease fittings at every pivot point.

- 2" cylinders on compact tractor
- 2.5" cylinders on standard duty and heavy duty
- Grease fittings at every pivot point
- Optional weld on teeth
- Optional bolt on edge (HD & XD)
- Optional side cutter (HD)
- Compact Tractor sizes: 48", 54", 60" (under 40 hp)
- Standard Duty sizes: 60", 66", 72" (40 - 50 hp)
- Heavy Duty sizes: 63", 66", 72" (50 - 65 hp)

Compact Tractor 4-N-1 Bucket Specs



Standard Duty / Heavy Duty 4-N-1 Bucket Specs



4-N-1 Buckets X-Treme and Severe

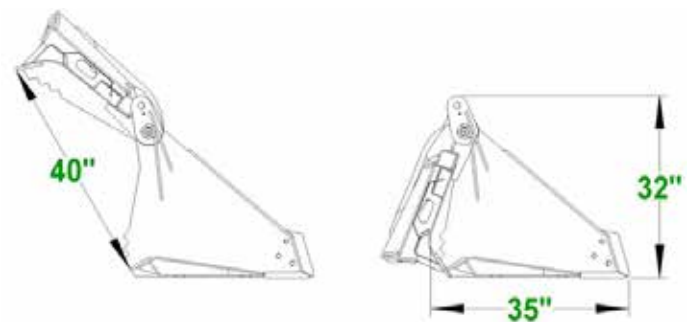
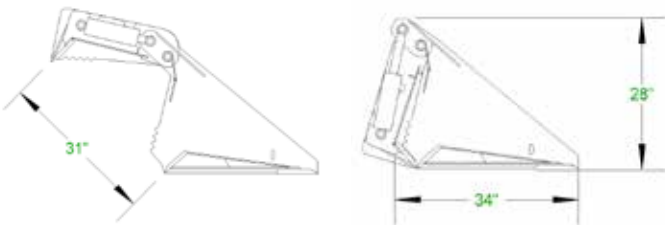


The X-treme and Severe 4-N-1 Buckets are designed to handle heavier material and more rigorous usage. The 4-N-1 is rated for machines with 65 HP and up, while the Severe is rated for machines with 80 HP and higher. The Severe 4-N-1 has replaceable 4" x 1/2" rear edges. Both the X-treme and Severe 4-N-1 are built with top quality steel, oversized pins and bushings, with grease fittings at every pivot point.

- Optional weld on teeth
- Optional bolt on edge
- Side Cutters standard on both styles
- X-treme Duty Sizes: 72", 78", 81", 84"
- Severe Duty Sizes: 72", 78", 81", 84"

X-treme 4-N-1 Bucket Specs

Severe 4-N-1 Bucket Specs

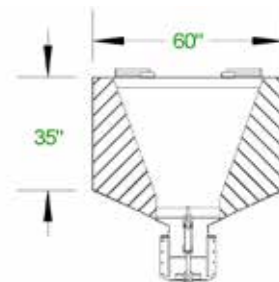
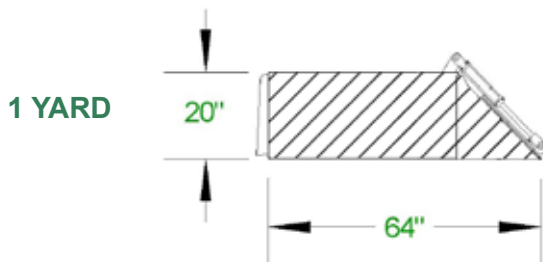
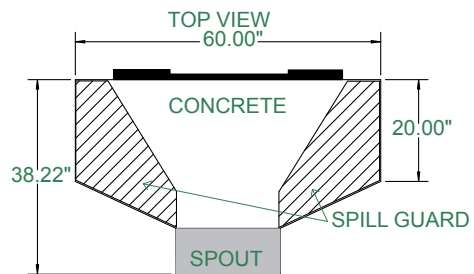
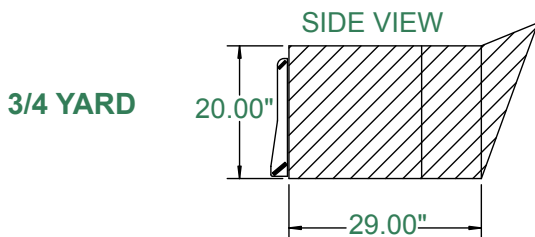
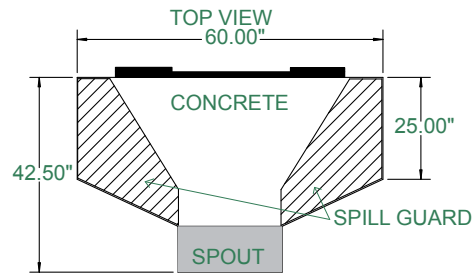
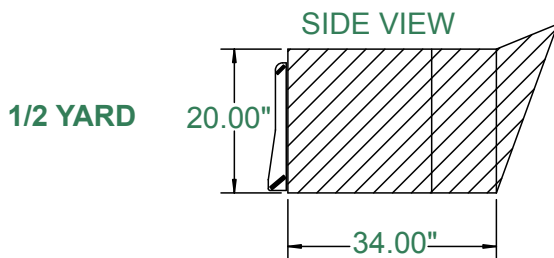




Our concrete bucket is designed for carrying and placing concrete using your skid steer. It allows you to accurately place concrete in areas inaccessible to trucks without any waste. A hydraulic gate is optional.

- 3/16 material
- Optional hydraulic chute
- Available in 1/2, 3/4 or 1 yard capacity

X-treme Concrete/Cement Bucket Specs



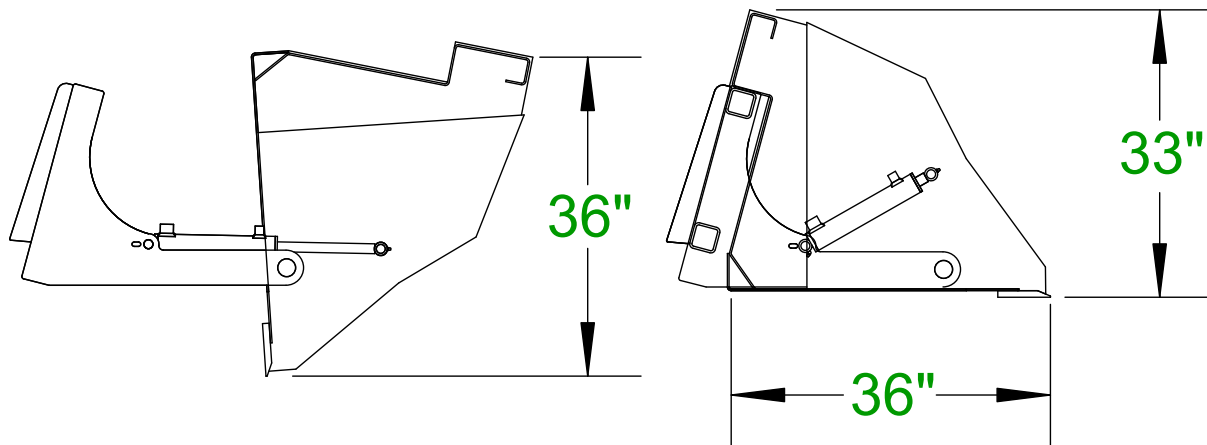
X-treme High Dump Bucket



Our X-treme High Dump Bucket is an essential tool in the poultry business. With the extra 3 feet of dumping height, you can easily load dump trucks to capacity. The CID High Dump Bucket has extra tall sides to make your clean up jobs go faster. The cylinders are protected on the sides so you don't lose material space inside the bucket. This feature also makes clean out much easier.

- 3 extra feet of dumping height
- Cylinders protected on the sides
- 2" x 10" twin cylinders
- 3/4" x 6" edge
- 3/16" bucket wrap
- Available sizes: 72", 84", 96"

X-treme High Dump Bucket Specs

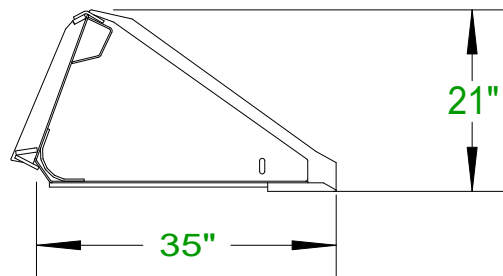


Long Bottom Bucket

The Heavy Duty Long Bottom Bucket is designed for greater visibility of the cutting edge. It will also hold more material than the Low Profile Bucket. Its made for up to 65 HP track machines and up to 70 HP on wheel machines. For larger machines, please see our track loader buckets on page 18.

Available sizes: 63", 66", 72", 78", 81", 84", 90", 96"

- Designed for greater visibility of the cutting edge
- Optional bolt on edge
- Optional weld on teeth are available
- Optional bolt on side cutting teeth
- 3/16" bucket wrap
- 3/4" x 6" edge
- 3/8" wear bars & side edge
- X-treme Duty package offered (1/4" wrap 1" x 8" edge) 1/2" side edge & wear bars

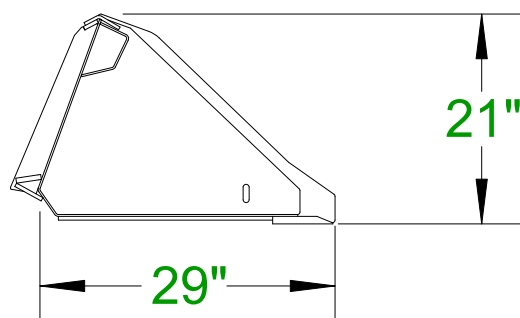
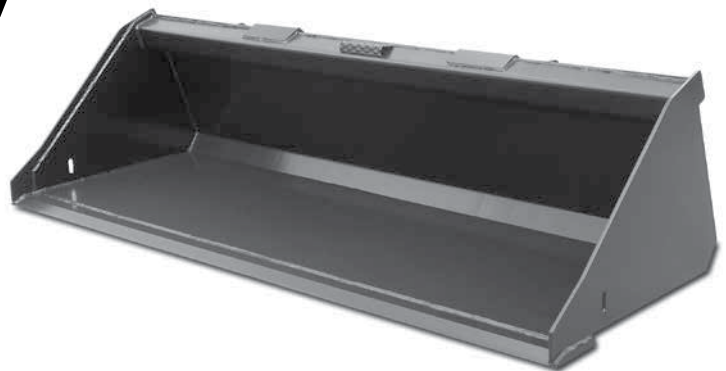


Low Profile Bucket

The Heavy Duty Low Profile Bucket is ideal for moving, digging and grading dirt or gravel. Its made for up to 65 HP track machines and up to 70 HP on wheel machines. X-treme duty package option is made for up to 110 HP machines.

Available sizes: 63", 66", 72", 78", 81", 84", 90", 96"

- Optional bolt on edge
- Optional weld on teeth are available
- 3/16" bucket wrap
- 3/4" x 6" edge
- 3/8" wear bars & side edge
- X-treme Duty package offered (1/4" wrap 1" x 8" edge) 1/2" side edge & wear bars
- Optional bolt on side cutting teeth



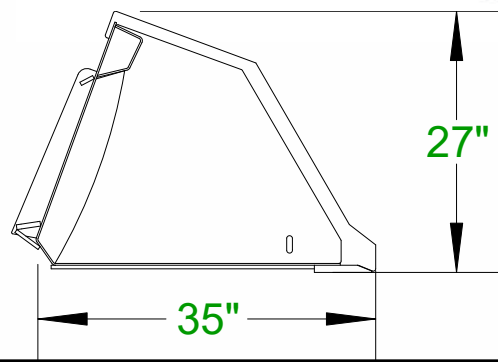
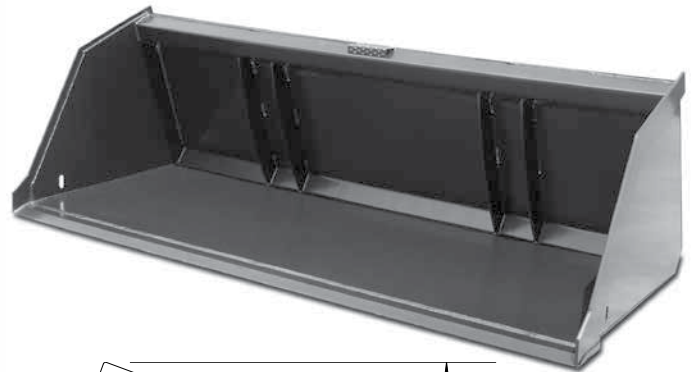
Snow & Litter Bucket

The Heavy Duty Snow & Litter Bucket is ideal for lifting large volume, low weight material such as snow, mulch, manure, sawdust, shavings and any other type of loose or light debris. Its made for up to 65 HP track machines and up to 70 HP on wheel machines. Xtreme duty package option is made for up to 110 HP machines.

Available sizes:

63", 66", 72", 78", 81", 84", 90", 96", 102" 108"

- Designed for large volume, low weight material
- Optional bolt on edge is available
- 3/16" bucket wrap
- 3/4" x 6" edge
- 3/8" wear bars & side edge
- X-treme Duty package offered (1/4" wrap 1" x 8" edge) 1/2" side edge & wear bars



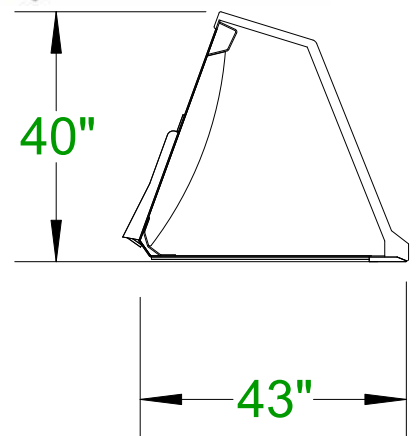
Turkey Litter Bucket

CID Turkey Litter bucket is mostly used for snow removal, loading mulch and poultry litter removal. It is basically an oversized version of our snow and litter bucket. Its made for up to 65 HP track machines and up to 70 HP on wheel machines. Xtreme duty package option is made for up to 110 HP machines.

Available sizes:

78", 84", 96", 108"

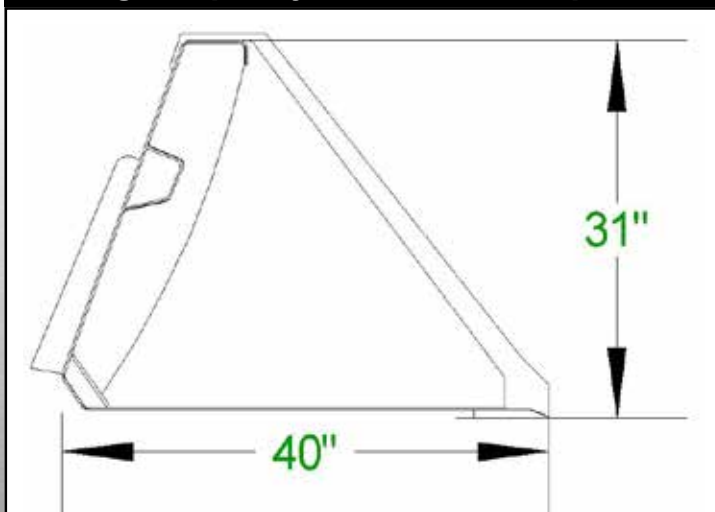
- Designed for large volume, low weight material
- Optional bolt on edge is available
- 3/16" bucket wrap
- 3/4" x 6" edge
- 3/8" wear bars & side edge
- X-treme Duty package offered (1/4" wrap 1" x 8" edge) 1/2" side edge & wear bars



High Capacity Snow Bucket



High Capacity Snow Bucket Specs



The CID High Capacity Snow Bucket was built to handle large volumes of material. This bucket has viewing slots in the back, allowing line of sight with the edge. With a 31" height and 41" depth, the high capacity bucket will make transportation of light material more efficient. The bucket is constructed of 3/16th" steel with a 3/4 x 6 cutting edge. Optional Bolt on edge available.

- Available sizes: 72", 78", 84", 96", 108", 120"
- Slotted back plate for edge view
- Optional bolt on edge
- X-treme Duty package offered (1/4" wrap 1" x 8" edge) 1/2" side edge & wear bars

X-treme Track Loader Bucket

Designed for the most demanding track loaders on the market. 1" x 8" cutting edge, 1/2" AR400 heel plate and 1/2" wear bars, reinforced quick attach, 1/4" bucket wrap, rolled back for easy clean out. 65 hp and over.

Shown with Optional teeth



Industrial Track Loader Bucket

The Industrial Track Loader Bucket is a comparable alternative to your track loader OEM bucket with some upgrades. 1" x 8" cutting edge gives more strength to your bucket while giving you 2" more cutting edge. A rolled back allows for exceptional cleanout. Reinforced quick attach and two piece back for extra strength. Low profile design for better visibility.

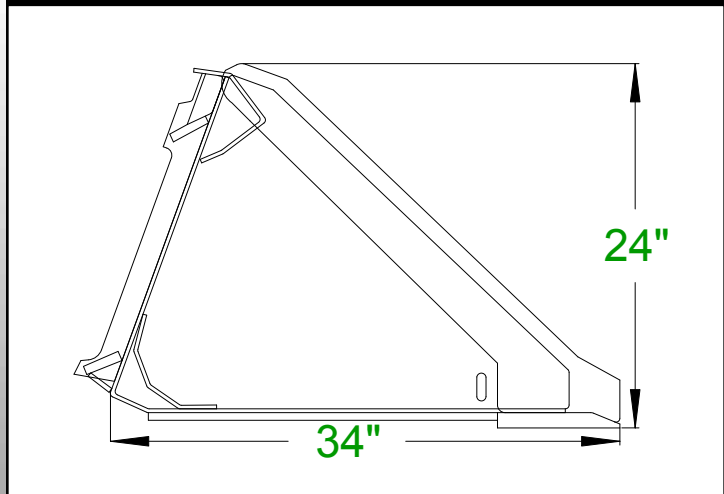


Photos Shown with Optional side cutting teeth

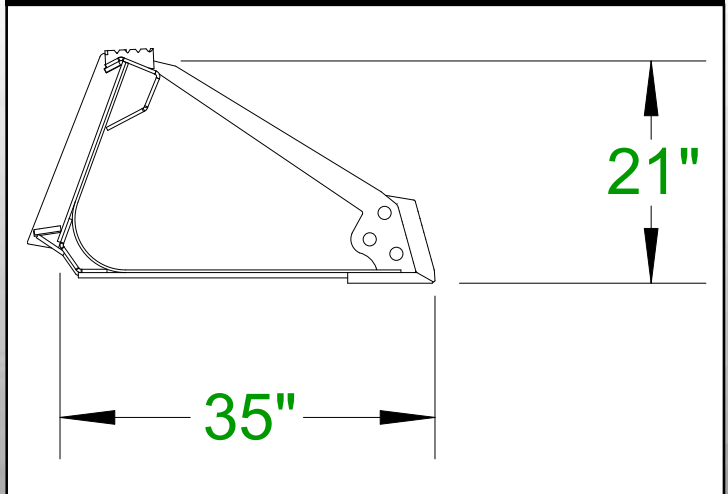
- 1" x 8" cutting edge
- 1/2" AR400 heel plate
- 1/2" Wear bars
- 1/4" Bucket wrap
- Optional side cutting teeth
- Optional bolt on edge
- Available sizes: 72", 78", 81", 84", 90", 96"

- Rolled back
- 1" x 8" cutting edge
- 1/2" wear bars
- Optional bolt on edge
- Optional teeth
- Optional side cutting edge

X-treme Track Loader Bucket Specs



Industrial Track Loader Bucket Specs



Tractor Buckets

Compact Tractor / Heavy Duty

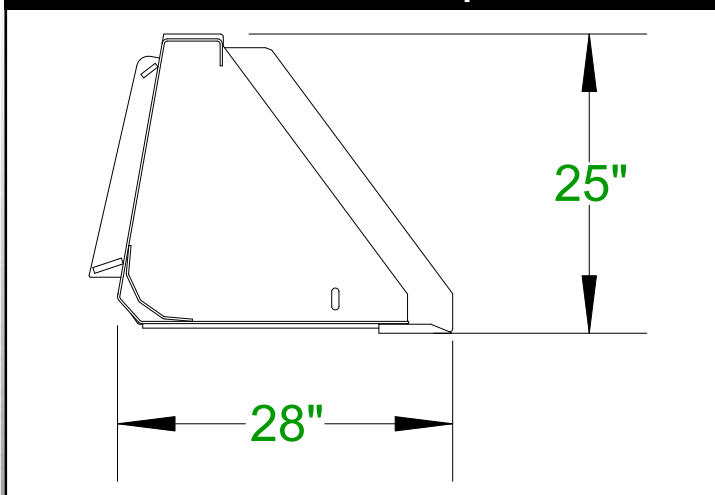


Our tractor buckets are designed with higher backs to prevent material from spilling over. They feature 3/16" steel sides and a 3/4" x 6" cutting edge. These buckets also come with holes in the sides for mounting a tooth bar and will hookup using universal Skid Steer and many tractor styles quick attach.

Heavy Duty Tractor Buckets 45 HP to 65 HP

- Higher back to prevent spillage
- Available sizes: 63", 66", 72", 78", 81", 84"
- Universal Skid Steer and many tractor styles quick attach
- Features 3/16" Steel Sides and a 3/4" x 6" Cutting Edge
- X-treme Duty package offered (1/4" wrap 1" x 8" edge) 1/2" side edge & wear bars

Tractor Bucket Specs



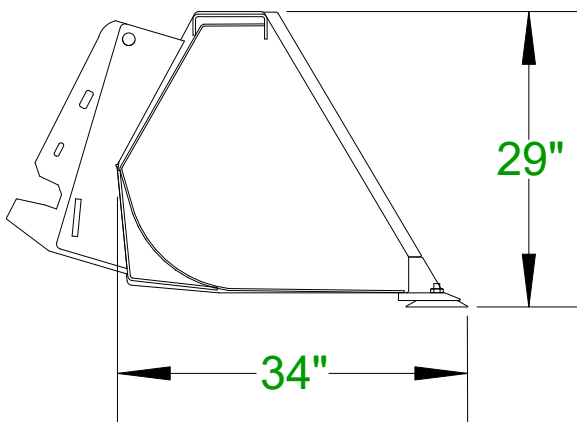
Compact Tractor Buckets 45hp and Under

- Higher back to prevent spillage
- Available sizes: 60", 63", 66", 72"
- Universal Skid Steer and many tractor styles quick attach
- Features 3/16" Steel Sides and a 1/2" x 4" Cutting Edge



The X-treme tractor bucket was designed for tractors with horse power of 65 and up. With a deep floor and a tall back this bucket has an oversized capacity. Rolled back makes for easy cleanout.

X-treme Tractor Bucket Specs



- Higher back to prevent spillage
- Available sizes: 63", 66", 72", 78", 81", 84"
- Universal Skid Steer and many tractor styles quick attach
- Features 3/16" Steel Sides and a 3/4" x 6" Cutting Edge
- Optional bolt on edge
- Severe Package offered (1x8 edge, 1/4 wrap & sides)

Rock Bucket Compact Tractor / Standard Duty

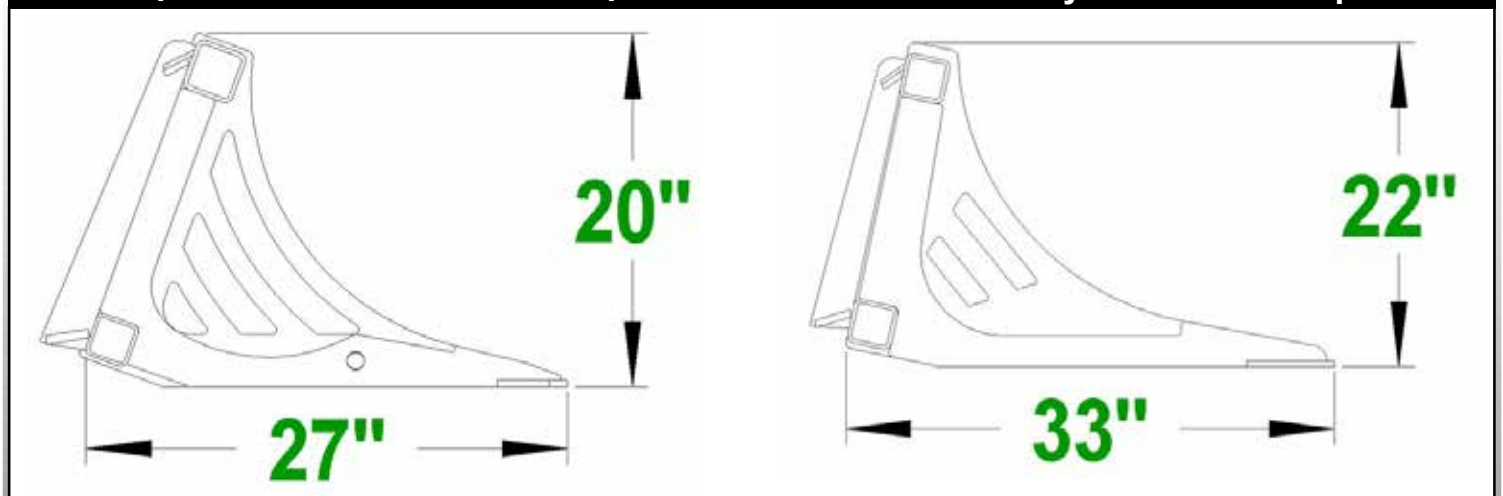


The CID Compact Tractor and Standard Duty Rock Buckets offer a similar design to our X-treme version, but in a stepped down size for smaller machines. Easily sift through loose soil to remove unwanted rock and debris.

- Compact Tractor: 1/2" tine thickness, 2 3/4" spacing
- Compact Tractor rated for machines under 35 HP
- Compact available sizes: 48", 54", 60", 66", 72"
- Standard Duty: 3/8" tine thickness, 3" spacing
- Standard Duty rated for machines 35-45 HP
- Standard available sizes: 60", 66", 72", 78", 81", 84"

Compact Tractor Rock Bucket Specs

Standard Duty Rock Bucket Specs



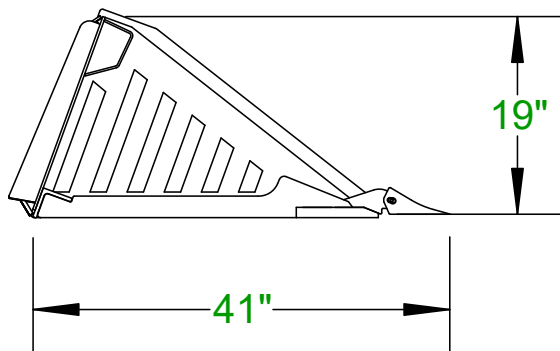
Rock Bucket Heavy Duty and X-treme



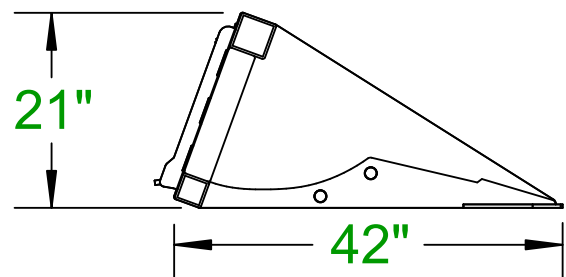
Bigger is better with the CID Heavy Duty and X-treme rock buckets. Our HD version has a welded cutting edge to provide strength and rigidity. Optional teeth are available on the welded edge. The x-treme version has fully welded tines in place of the edge, with dual rods to support the rock dam.

- 3/4 x 6 Cutting edge on Heavy Duty
- Optional weld on teeth with 1 x 8 cutting edge
- 2 3/8" tine spacing on HD
- 3" tine spacing on X-treme
- Dual 1 1/4" rods to reinforce the 5" tall rock dam
- Heavy Duty Sizes: 63", 66", 72", 78", 81"
- X-treme Sizes: 66", 72", 78", 81", 84"

Heavy Duty Rock Bucket Specs

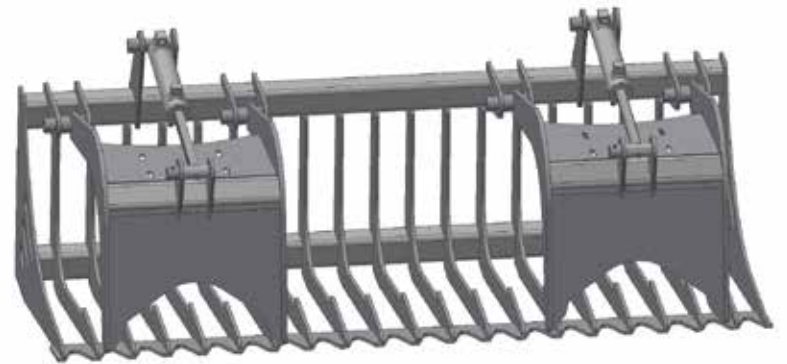


X-treme Rock Bucket Specs



Rock Grapple

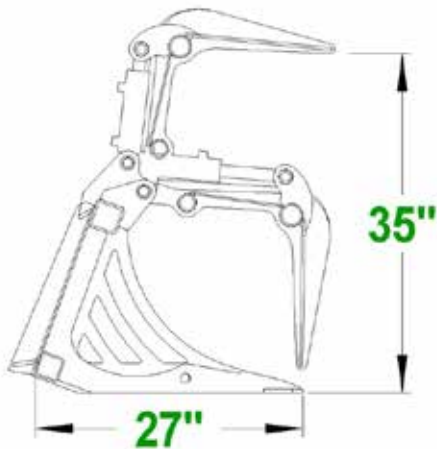
Compact Tractor / Standard Duty



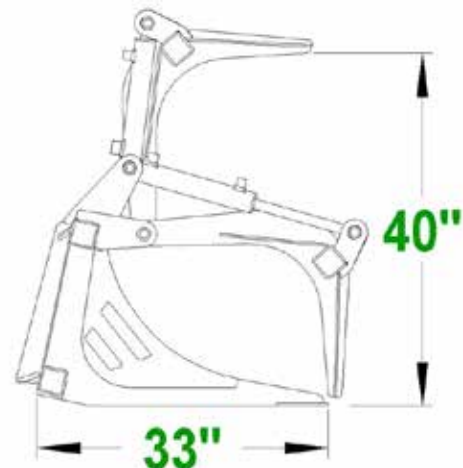
The CID Rock Grapples are great for sifting through dirt in order to remove rocks and debris. Our Compact Tractor Rock Grapple comes with a single grapple, and works with 45 or less HP machines. The Standard Rock Grapple has dual cylinders and works with 45-60 HP machines.

- Features 7" bore by 10" stroke cylinders
- Welded Front Teeth
- Compact Sizes available: 60", 66", 72"
- Standard Sizes available: 60", 66", 72"

Compact Tractor Rock Grapple Specs



Standard Duty Rock Grapple Specs



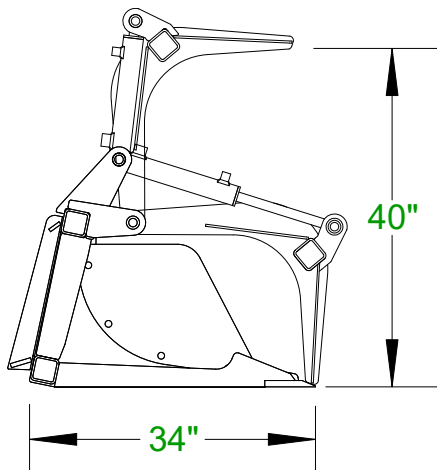
Rock Grapple Heavy Duty and X-treme



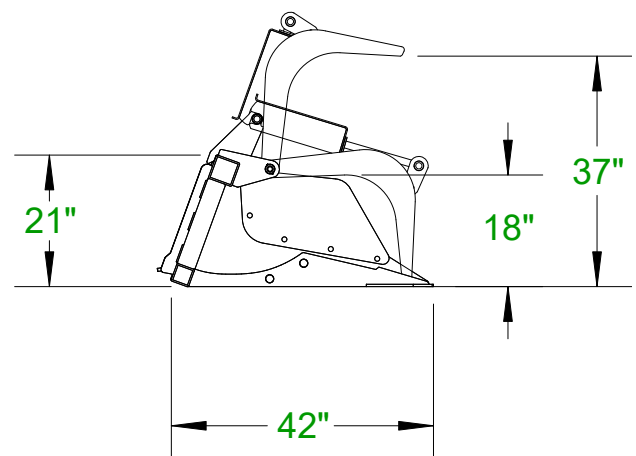
The CID Heavy Duty and X-treme Rock Grapples are great for sifting through dirt in order to remove rocks. The X-treme Grapple has fully welded front teeth, while the HD version uses a 3/4" x 6" cutting edge. This edge will be upgraded to a 1" x 8" when adding the optional teeth. The HD version has tine spacing set at 2 3/8", while the X-treme has 3" spacing. Our top quality steel grapples allow for the removal of large rocks, logs, brush, or just about anything you may run into. CID uses twin 2" bore by 10" stroked cylinders rated at 4000 PSI on all our grapples.

- HD tines set at 2 3/8" apart
- X-treme tines set at 3" apart
- Bolt on sides included on both models
- Optional Weld on Teeth for the HD model
- HD sizes available: 63", 66", 72", 78", 81"
- X-treme sizes available: 66", 72", 78", 81", 84"
- 2" x 10" Cylinders rated at 4,000 psi

Heavy Duty Rock Grapple Specs



X-treme Rock Grapple Specs



Root Grapples

Our root grapples are a necessity in the tree industry, and for contractors clearing lots for home site building. They are ideal for moving logs, brush, rocks or just about any type of debris, which makes them essential tools for storm damage clean up.

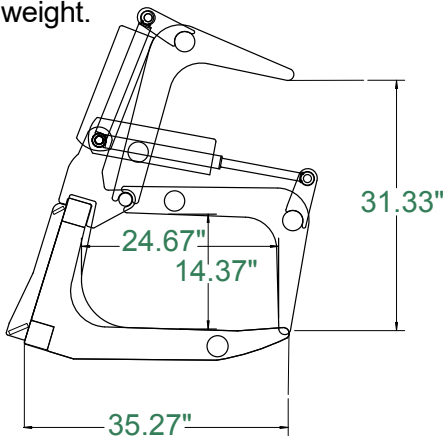
All of our units are built from top quality steel and will exceed the lifting capacity of the skid steer machines they are used on. Our grapples feature independently operated 2" bore by 10" stroke cylinder(s) to adjust for

uneven loads. They also feature grease fittings at every pivot point.

One feature that separates our Standard and Heavy Duty Root Grapples from our competitor's attachments is that we offer optional bolt on cylinder rod covers to protect the hydraulic cylinder shafts. Most root grapples only have the actual cylinder enclosed and not the shaft. We give you the option to protect both. Anyone that has had debris fall on the cylinder shaft knows what damage this can cause.

Compact Tractor Root Grapple

Our Compact Tractor Root Grapple is perfect for the compact tractor. These grapples are built strong yet very light weight.

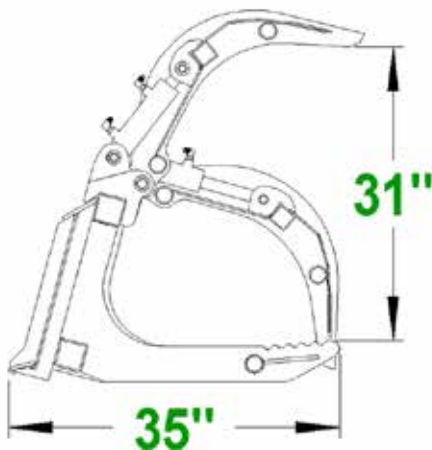


- Recommended machine size under 35 HP
- Designed for compact tractors
- 2" bore by 10" stroke cylinder
- Available sizes: 60", 66", 72"



Ultra Root Grapple

The CID Ultra Root Grapple offers a more compact design than the Standard Root Grapple. The independent dual grapple design is a step above the compact tractor single grapple.

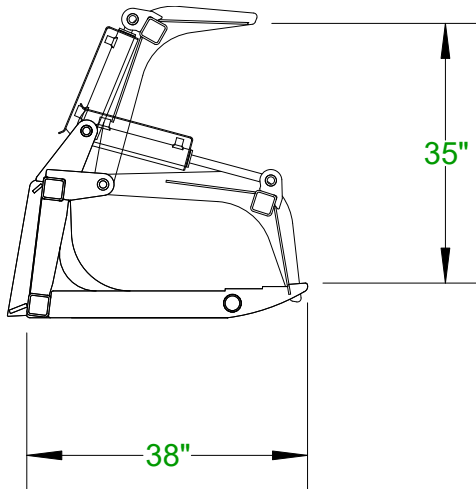


- Recommended for 35-50 HP machines
- Protected hoses
- American made hydraulics
- Available sizes: 60", 66", 72"



Standard Duty Root Grapple

Our Standard Duty Grapple is built from 3/8" thick steel plate on the top and bottom, and incorporates 3" square tubing.

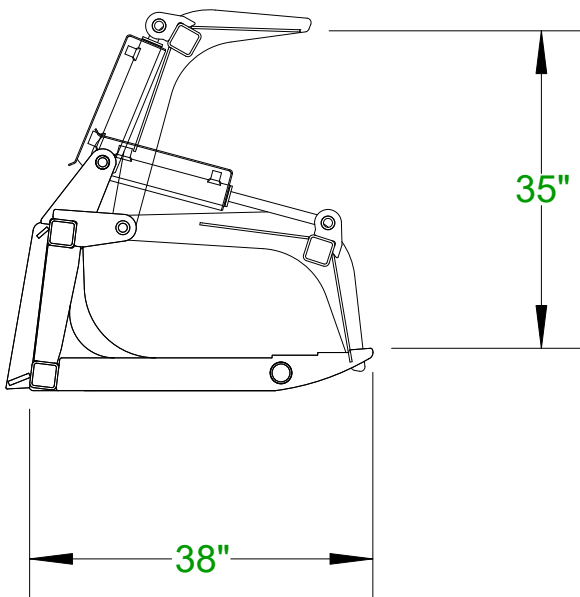


- Recommended machine size: 35-45 HP and under
- 2" bore by 10" stroke cylinders
- Hydraulic lines routed inside the tubing to prevent tears
- Optional spacer tines
- Available sizes: 63", 66", 72"

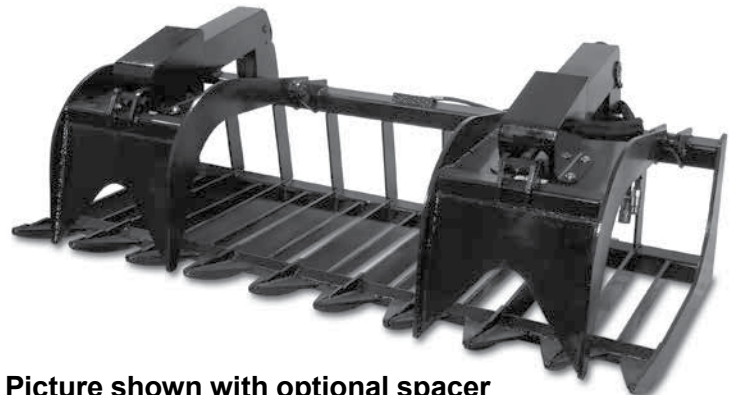


Heavy Duty Root Grapple

Our heavy Duty Grapple is built from 1/2" thick steel plate on the top and bottom, and incorporates 3" square tubing.



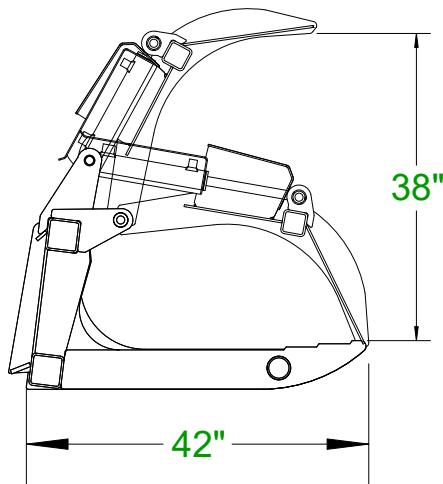
- Recommended machine size: 45 - 65 HP
- 2" bore by 10" stroke cylinders
- Hydraulic lines routed inside the tubing to prevent tears
- Optional spacer tines
- Available sizes: 63", 66", 72", 78", 81"



Picture shown with optional spacer tines and optional bolt on cylinder rod cover kit.

X-treme Root Grapple

The X-treme Root Grapple is the grapple of choice for those who need an attachment that will hold up in severe applications. It can handle more material and is more rugged than our other grapples. It's built from 5/8" thick steel plate on the top, 1/2" on bottom, and incorporates 4" square tubing. It also features enclosed hydraulic cylinders and shafts.

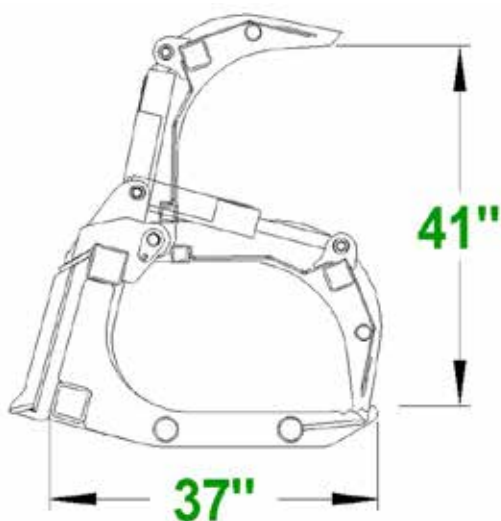


- Recommended machine size: 65 HP and above
- 2" bore by 10" stroke cylinders
- Hydraulic lines routed inside the tubing to prevent tears
- Optional spacer tines
- Available sizes: 63", 66", 72", 78", 81", 84"



Severe Duty Root Grapple

The CID Severe Root Grapple is ideal for machines over 80 HP that require the strongest root grapple available. It boasts 5/8" continuous bottom tines and 3/4" top tines. Oversized pins and bushings, protected hoses, and cylinders with American made hydraulics.

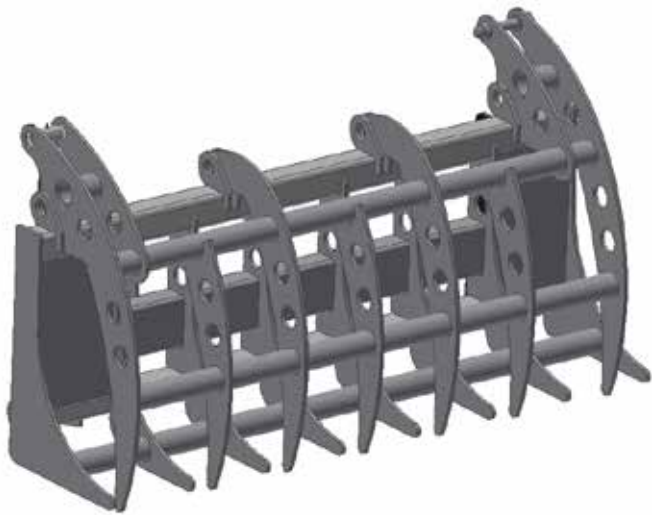


- Recommended machine size: 80 HP and above
- Oversized pins and bushings
- 5/8" continuous bottom tines
- 3/4" top tines
- Available sizes: 72", 84"



Grapple Rakes Standard / Compact Tractor

Standard Grapple Rake

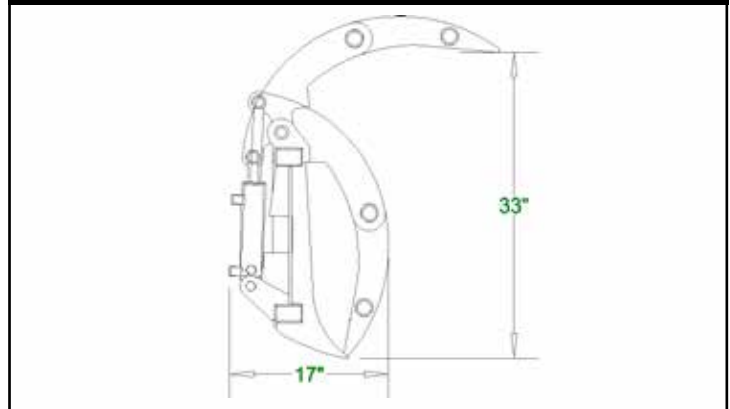


Compact Tractor Grapple Rake

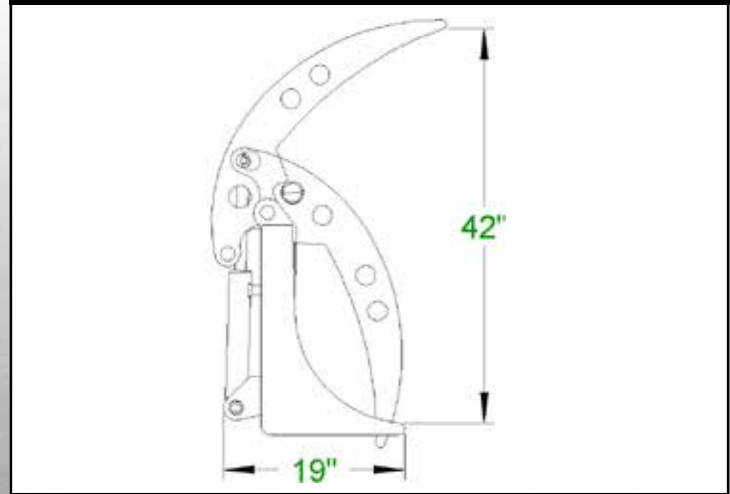


Our Grapple Rakes are ideal for raking and loading debris. The shape of the grapple makes it easy to roll debris into tight places. A single grapple or two independent grapples are available. We use American made cylinders, rated at 4,000 psi, to handle the toughest jobs. Our Compact Tractor Grapple Rake is for use on tractors less than 40 HP. The Compact Tractor Grapple Rake is built heavy enough for rigorous use, but light enough for compact tractors. The Compact version is available in a single cylinder grapple 2x6 (48", 54", 60", 66") or a dual cylinder split grapples 2x8 (60", 66"). Our re-designed Standard Duty Grapple Rakes are constructed from 3/8 AR400 Steel, and are rated for machines with 35-60 HP. The new design provides more strength, combined with a lower weight to maximize your grappling power.

Compact Tractor Grapple Rake Specs



Standard Grapple Rake Specs



- Two independent grapples optional (SD only)
- Unique design makes it easy to roll debris into tight piles
- Standard Duty sizes: 63", 66", 72"
- Compact Tractor Sizes: 48", 54", 60", 66"
- Compact Tractor Dual Cylinder sizes: 60", 66"

Grapple Rakes Heavy Duty / X-treme

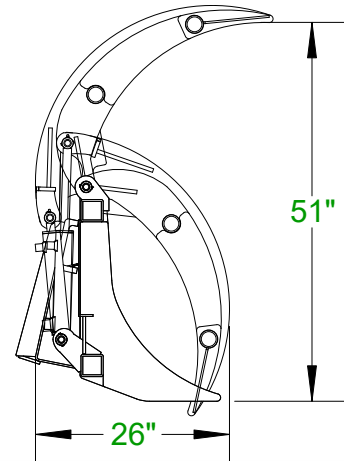
Heavy Duty Grapple Rake

X-treme Grapple Rake

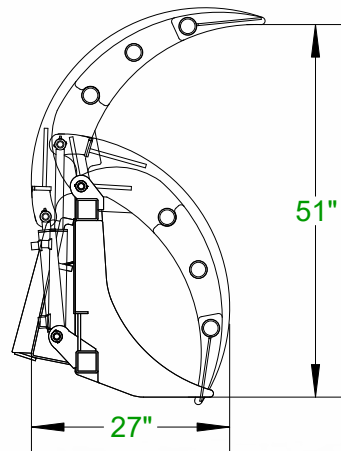


Our Heavy Duty and X-treme Grapple Rakes are ideal for raking up debris. The grapples can then be used to load the debris into a dump truck. The shape of the grapple rake makes it easy to roll debris into tight piles if you are planning to burn. A single grapple or two independent grapples are available. We use twin 2" bore by 10" stroke cylinders, rated at 4,000 psi to handle the toughest jobs. Our X-treme Grapple Rakes are built with 1/2" top quality steel and come standard with 23 series teeth. Our Grapple Rake fully opens to 51 inches and is rated for machines 65 HP and up. Our Heavy Duty Rakes are built with 1/2" top quality steel and are rated for 50-70 HP machines.

Heavy Duty Grapple Rake Specs



X-treme Grapple Rake Specs



- Available as a single grapple or two independent grapples
- Twin 2" bore by 10" stroke cylinders
- Unique design makes it easy to roll debris into tight piles
- X-treme sizes: 63", 72", 81", 84", 96"
- Heavy Duty sizes: 63", 72", 78", 81", 84", 96"

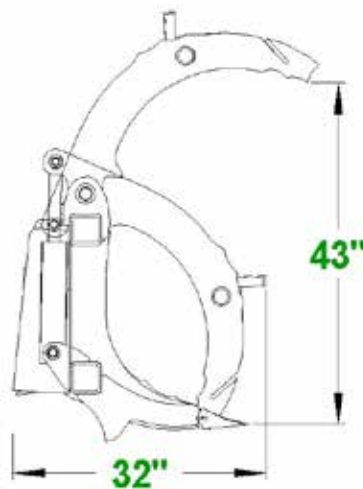
Severe Grapple Rake



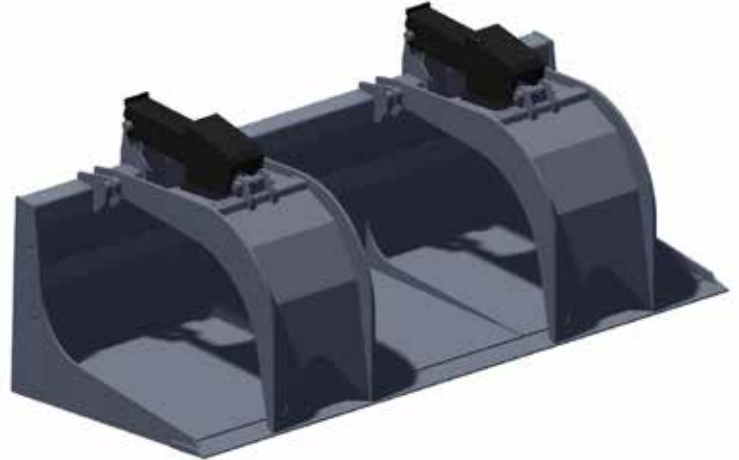
The CID Severe Grapple Rake is an excellent tool for machines above 80 HP. Rake debris, brush, logs, and anything else you desire. The powerful clamping force will hold material in the most severe conditions.

- Oversized pins and bushing
- Single or Dual grapples available
- Oversized step for ease of entering machine
- Available sizes: 72" , 84"

Severe Grapple Rake Specs



Monster Root Grapple Monster Grapple Bucket



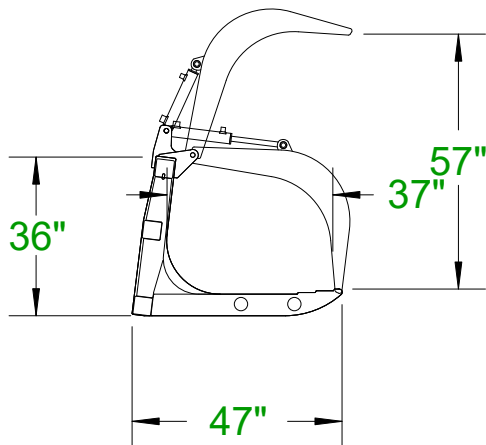
The monster root grapple is a perfect match for 100 horse power track loaders and telescoping loaders (telehandlers). Reinforced with extra tubing and pipe, enormous opening and depth and the largest capacity on the market. The Monster Root Grapple has a 7500 lb clamping force and 3500 psi.

The monster grapple bucket is a perfect match for 100 horse power track loaders and telescoping loaders (telehandlers). Reinforced with extra tubing and ribs, enormous opening, deep floor and the largest capacity on the market.

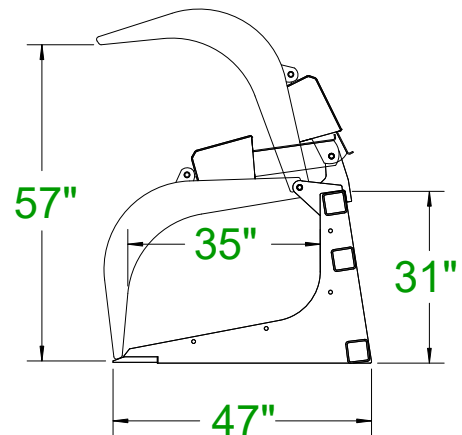
- Cylinder and cylinder shaft protection
- 2 x 10 hydraulic cylinders

- Optional bolt on cutting edge
- Cylinder and cylinder shaft protection
- 2 x 10 hydraulic cylinders
- Optional bolt on sides available

Monster Root Grapple Specs



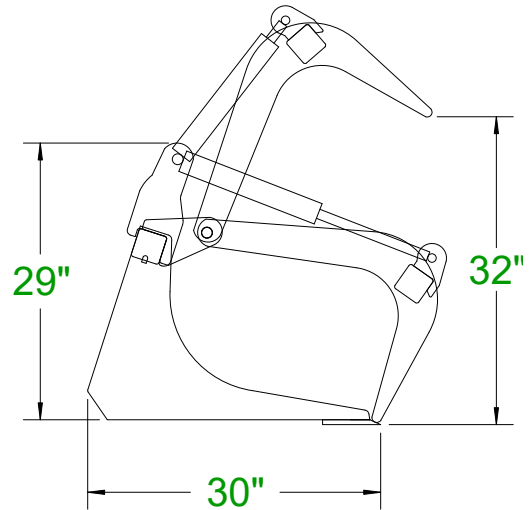
Monster Grapple Bucket Specs



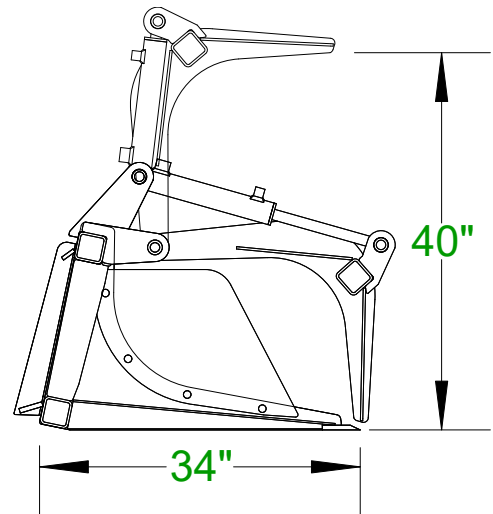
Grapple Buckets



Compact Tractor Grapple Bucket Specs



Standard / Heavy Duty Grapple Bucket Specs



Our Grapple Buckets are very versatile attachments. They're all great choices for anyone who owns a skid steer. Available in a wide range of sizes, they easily pick up logs, rocks, left over building supplies or any other type of debris.

Up to 35 HP on compact tractor.

Up to 45 HP on standard duty.

Up to 65 HP on heavy duty.

All of our grapple buckets have 2" bore by 10" stroke cylinders, with all hydraulic lines routed inside the tubing to prevent tears. They are also built with top quality steel, oversized points and bushings, with grease fittings at every pivot point. Every unit exceeds the lifting capacity of the skid steer machine it is attached to.

- 2" bore by 10" stroke cylinder, rated at 4,000 PSI
- Grease fittings at every pivot point
- Optional weld on teeth and bolt on cylinder rod cover kit
- Optional bolt on edge
- Bolt on sides included on HD
- Compact Tractor sizes: 60", 66", 72"
- Standard Duty sizes: 63", 72"
- Heavy Duty sizes: 63", 66", 72", 78", 81"

X-treme Grapple Bucket



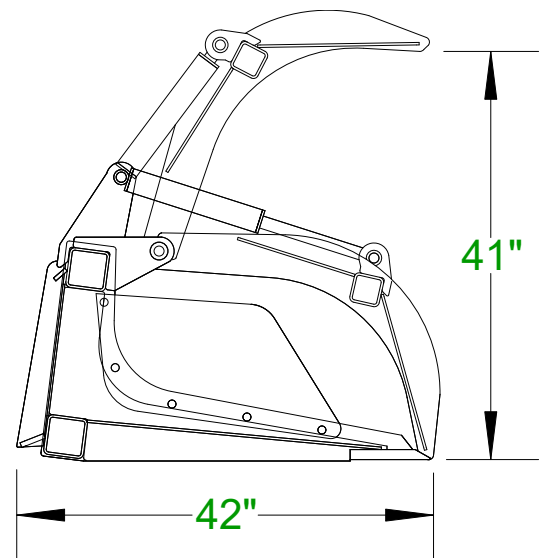
- 2" bore by 10" stroke cylinders that operate independently, rated at 4,000 PSI
- 5/8" top tines
- Hydraulic lines on top & routed inside the tubing to prevent tears
- Grease fittings at every pivot point
- Bucket has a 1" x 8" cutting edge
- Optional weld on teeth
- Available sizes: 66", 72", 78", 81", 84", 96"
- Optional bolt on edge
- Bolt on sides included

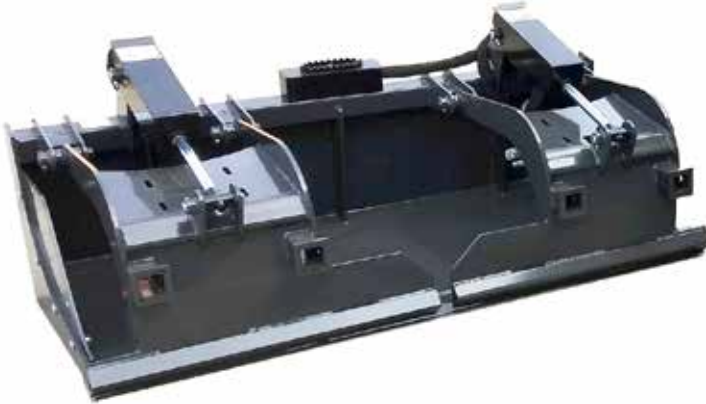
The X-treme Grapple Bucket is ideal for picking up logs, rocks, left over building supplies or any other type of debris. It can handle more material and is intended for larger machines than our Heavy Duty Grapple Bucket.

One feature that separates our X-treme Grapple Bucket from our competitor's comparable attachment is the enclosed hydraulic cylinder shaft. Most grapple buckets only have the actual cylinder enclosed and not the shaft. We protect both! Anyone that has had debris fall on the cylinder shaft knows what damage this can cause.

It features 2" bore by 10" stroke cylinders that operate independently to adjust for uneven loads. The hydraulic lines are routed inside the tubing to prevent tears. It is also built with top quality steel, oversized points and bushings, with grease fittings at every pivot point. The X-treme Grapple Bucket has a 1" x 8" cutting edge. Every unit exceeds the lifting capacity of the skid steer machine it is attached to. 65 HP and up.

X-treme Grapple Bucket Specs

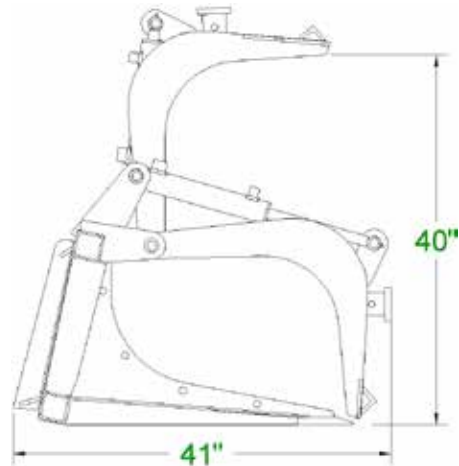
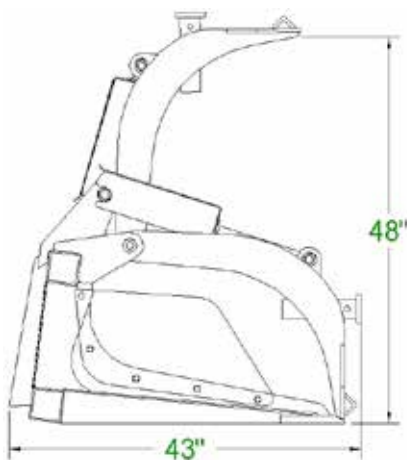
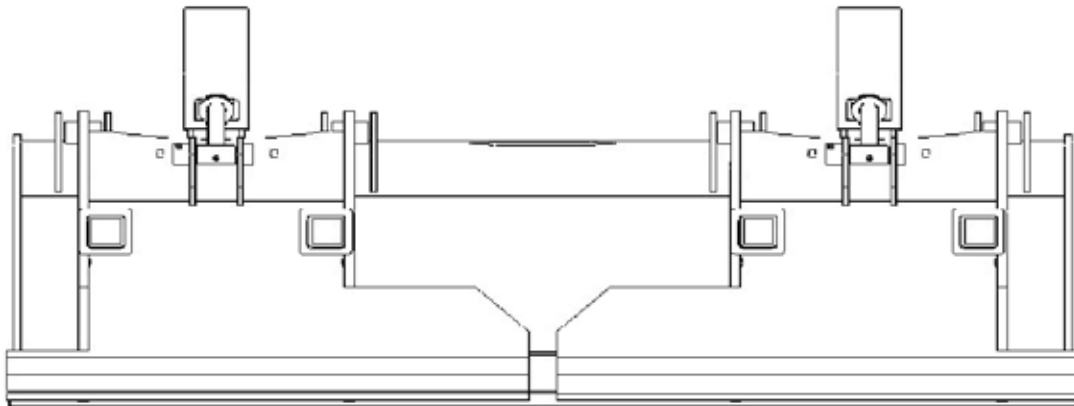




- 2" bore by 10" stroke cylinder, rated at 4,000 PSI
- HD has 1/2" top tines, XD has 5/8" top tines
- Hydraulic lines routed inside tubing to prevent tears
- Bolt on sides included
- Optional bolt on kit for Heavy Duty, included on Xtreme
- Heavy Duty 45-65 hp Available sizes: 72", 78"
- Xtreme Duty 65+ hp Available sizes: 72", 78", 84"

The CID Demo Dozer combines multiple functions in one unique attachment. The Demo Dozer replicates the functions of a general purpose bucket, 4-N-1 Bucket, Dozer Blade, Grapple, Clam shell, Log handler, and Demolition Bucket. The Demo Dozer is also equipped with tool receivers, pre-drilled holes for Bolt on edges, chain hooks with pins, and removable sides.

Demo Dozer Specs





6-way picture shown

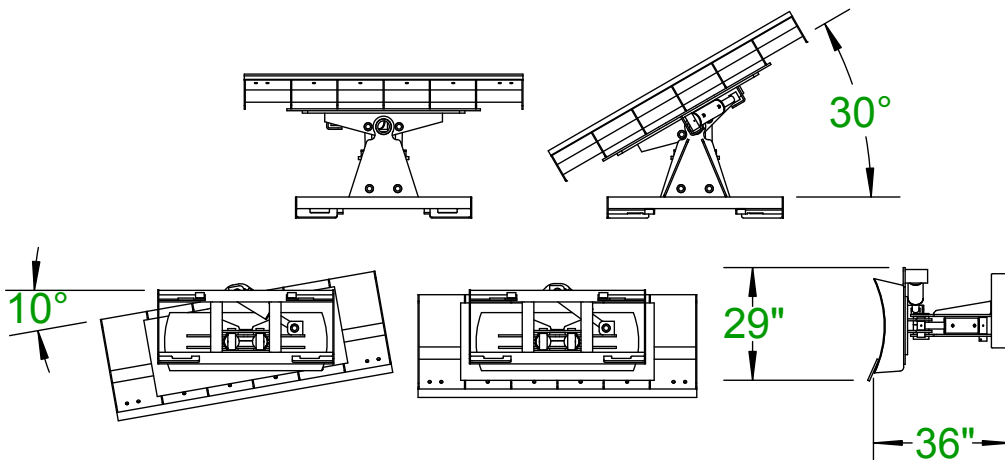


4-way picture shown

- Electric over hydraulic valve
- Replaceable cutting edge is available
- Available sizes: 72", 84", 96"
- Wire harness included
- 1/4" mold board
- 3-1/2" x 4" cylinders
- 1/2" AR400 edge
- Available with universal 8 or 14 pin wiring harness
- Optional 4-Way Dozer Blade available

Our X-treme 4-way and 6-way Dozer Blades are an excellent tool for grading. Easily cut a road, level ground for building, or cut a ditch. The dozer blade comes with an electric over hydraulic valve to operate the tilt function of the blade. Only one set of auxiliary hydraulics are needed.

X-treme 6-Way Dozer Blade Specs



Multi Purpose Angle Blade



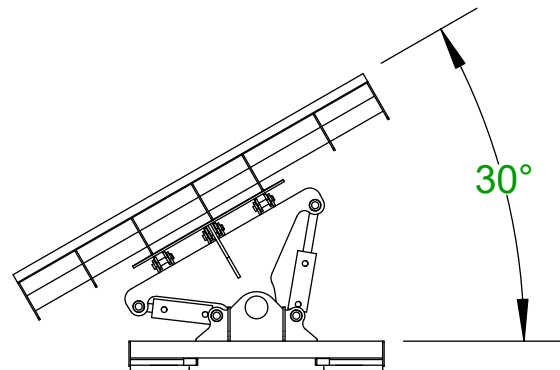
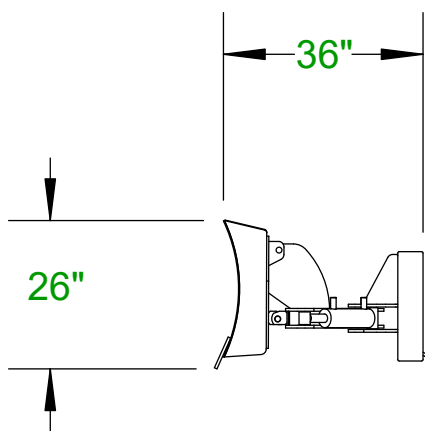
Our Multi Purpose Angle Blade is different from most. Our engineers have designed this Multi Purpose Angle Blade to be used as a snow plow and a angle blade with ease. To use this as a snow plow, simply remove the center pin. This allows the blade to tip when hitting something. Our powerful springs retract the blade into position as soon as the object is cleared.

To use as an angle blade, leave the center pins in, and you are ready to move some earth. This is a 4 way dozer blade, up and down from your skid steer, and side to side from the attachment.

Our plows have 1/2" thick 6" wide replaceable bolt on cutting edges. The blade comes with two 3" bore 6" stroke cylinders, couplings, and hoses so the attachment is ready to use when it is received.

- Operates as a snow plow or dozer blade
- Constructed with 1/2" thick by 6" wide replaceable AR400 bolt on cutting edges
- 3" bore 6" stroke cylinders
- 3/16" mold board
- Available sizes: 72", 84", 96", 108", 120"

Multi Purpose Angle Blade Specs

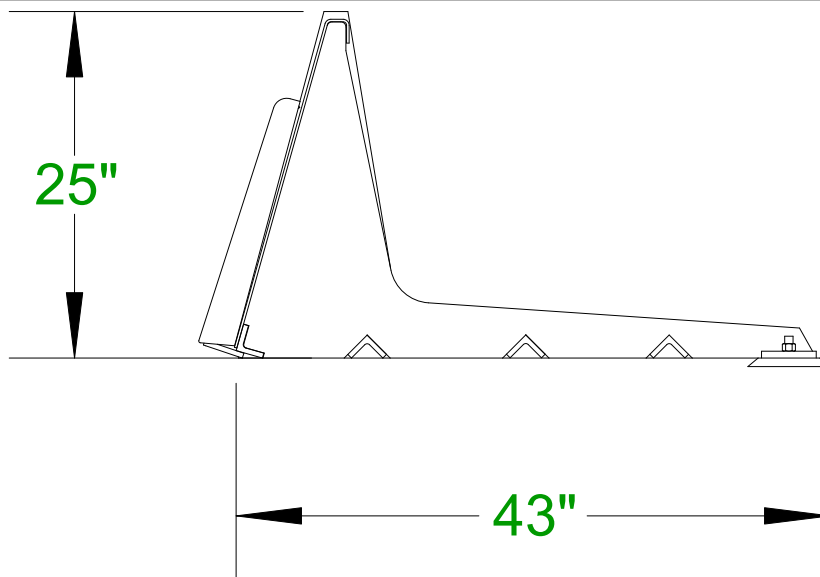




Our land leveler are available in 72", 78", and 84" widths and are used to cultivate, grade, cut, and mainly level land. This attachment is not designed to transfer large amounts of dirt. The land leveler is specifically used for leveling jobs such as dirt roads and gravel driveways.

- Replaceable edge
- Available sizes: 72", 78", 84"

Land Leveler Specs



Ripper / Box Scrape Ripper

Ripper

Our Ripper is great for ground penetration. Easily prep a garden or till up some land with the ripper. The tines are adjustable for more or less ground penetration.



Picture shown with optional finishing rake.

- Adjustable tines
- Optional finishing rake
- Available sizes: 48", 60", 72", 84", 96"

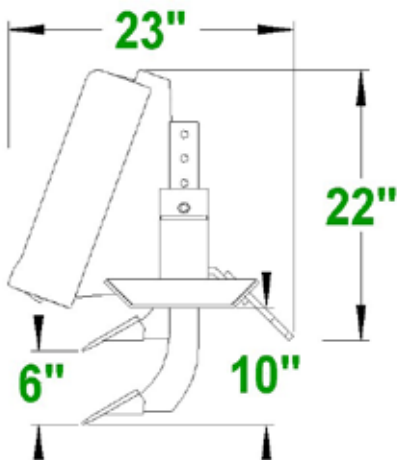
Box Scrape Ripper

Our Box Scrape Ripper is perfect for reconditioning gravel roads and driveways. The rippers will resurface the buried gravel and the cutting edges will smooth out and level the gravel. You can drive forward or backwards, simply remove the rippers and rotate them.

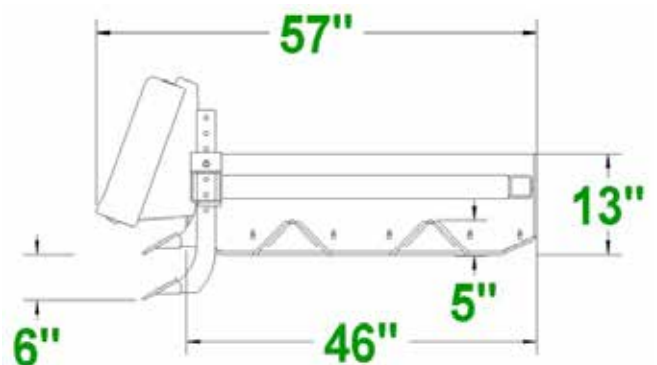


- Replaceable and reversible cutting edges
- Replaceable ripper shanks
- Available sizes: 60", 72", 84", 96"

Ripper Specs



Box Scrape Ripper Specs



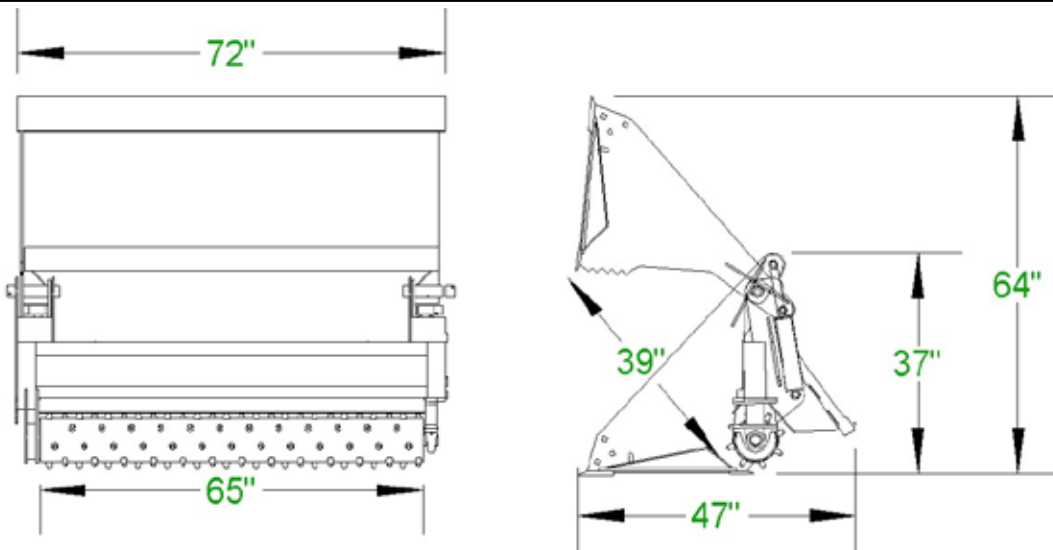
Multi-Purpose Power Rake



The CID Multi-Purpose Power Rake is an innovative landscape tool that combines a 4N1 bucket along with a power rake. No longer will you have to change attachments to finish preparing the soil bed. You can now use your rake for back dragging, digging, and grappling. Offered in various widths and sizes for full size machines to mini skid steer. The Multi-Purpose Power Rake comes stock with a smooth edge, with the option for a Bolt on Edge or welded teeth.

- Dual 2-1/2 x 8" cylinders
- 1-1/4" Pivot pins
- Carbide roller tips
- 7-1/2" diameter drum (10-1/4" tip to tip)
- Side cutters standard
- Direct drive motor
- Flow Rate of 15-25 GPM Required
- Available sizes: 66", 72", 78", 84"

Multi-Purpose Power Rake Specs



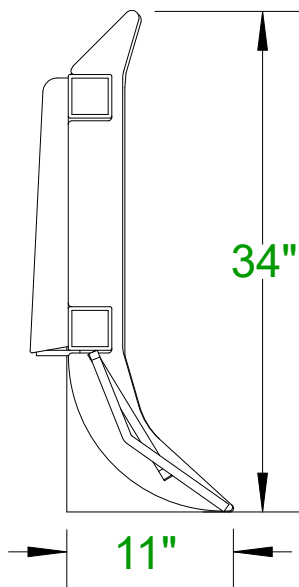
Root Rake X-treme / Severe Duty



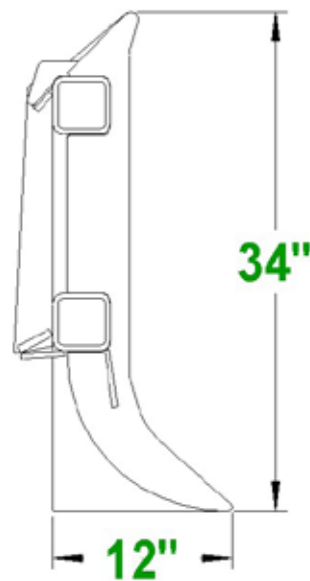
- Excellent for rolling debris into tight piles
- Tines spaced on 6" centers
- X-treme Tines 5/8" thickness
- Severe Tines 3/4" thickness
- X-treme sizes available: 66", 72", 84", 96"
- Severe sizes available: 72", 84", 96"

The CID Root Rake is excellent for rolling debris into tight piles for easy burning. It will easily remove large rocks, roots, and other objects on or below the surface. The X-treme Version features top quality 5/8" Steel Tines placed on 6" centers, rated for machines with a horsepower of less than 75. The Severe Version features top quality 3/4" tines placed on 6" centers, rated for machines with a horsepower of 75 or higher.

X-treme Root Rake Specs



Severe Root Rake Specs



X-treme Skid Steer Rotary Tiller



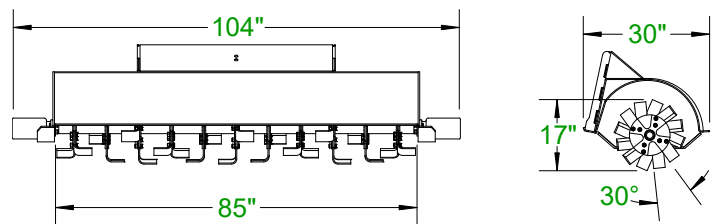
High Flow



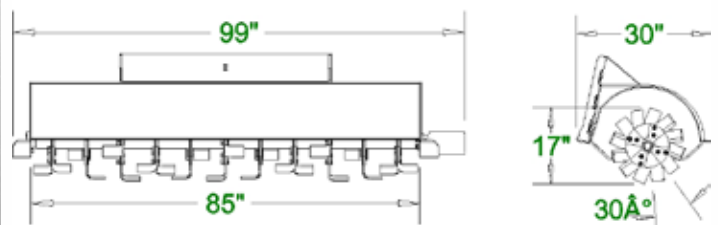
Low Flow

The X-treme Rotary Tiller is a perfect attachment for tilling gardens and small fields. It's also great for deer hunters to use to make food plots. This tiller has a bi-directional rotation and can till ground up to 6" deep. CID offers two flow ranges and sizes: Our low flow single motor tiller runs a range of 14-20 GPM, available in a 72" width, and our high flow tiller with a dual motor system runs a range of 20-40 GPM, and is available in a 72" and 84"

X-treme High Flow Rotary Tiller Specs



X-treme Low Flow Rotary Tiller Specs



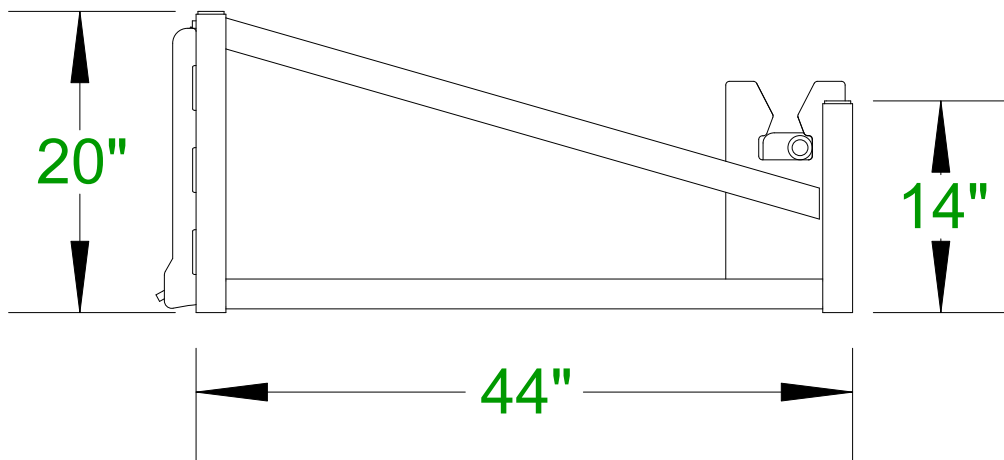
- Bolt on replaceable tines
- 1/4" plate, rolled housing
- 3/8" sides with 3/8" thick shoes
- Low Flow 14-20 gpm. Single parker motor with internal relief valve
- High Flow 20-40 gpm. Dual parker motors with internal relief valves and 3/4" machine hose



This attachment is used to assist in laying down rolls of sod. It is an essential tool for those doing lawn renovations and new home construction.

Its simple design requires no hydraulics whatsoever. The strong tubular frame handles rolls of sod up to 48" wide and 60" in diameter, and requires fiber or plastic cored rolls.

Sod Roller Specs



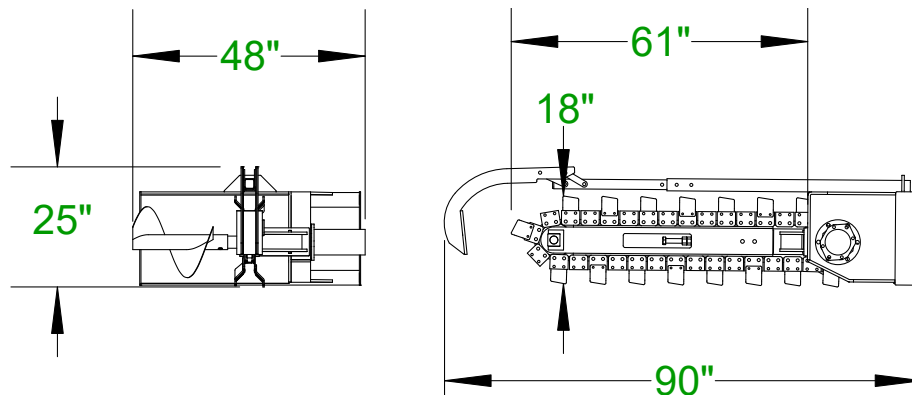
X-treme Skid Steer Trencher

Our X-treme Trencher is ideal for trenching water lines and cable lines in a timely manner. With a dirt chain, 1/2 rock & frost or full rock & frost we are sure to have a chain to fit your trenching needs. We offer 2 arm sizes for different digging depths.



- Different chain widths, 36" or 48" lengths
- 15-20 GPM
- 20-30 GPM
- 15" auger

X-treme Trencher Specs

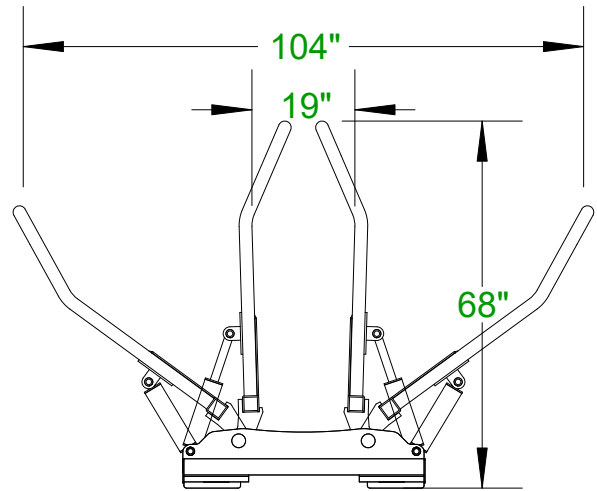


X-treme Hay Bale Squeezer

Our X-treme Bale Squeezer is great for anyone moving and stacking large quantities of hay. It features twin 2 1/2" x 8" cylinders with a holding capacity of 2,800 lbs. This attachment can also stack two bales at a time and handles 4, 5 or 6 foot bales.



- Twin 2 1/2X8 Cylinders
- 2800Lb Holding Capacity
- Will Lift 4',5', And 6' Bales

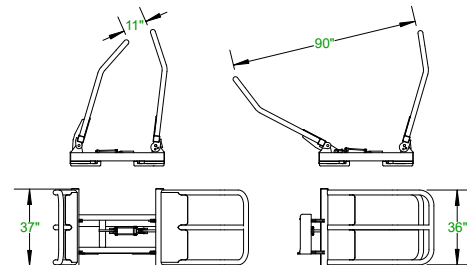


Heavy Duty Bale Squeezer

Easily grab and transport round bales with our heavy duty bale squeezer. You can pick up bales sitting flat or on their side. The tubular design allows wrapped bales to be transported without tearing the plastic. The single cylinder design allows this attachment to be very economical



- Pick up bales sitting flat or on their side
- Single cylinder
- Very economical
- 65 hp and under

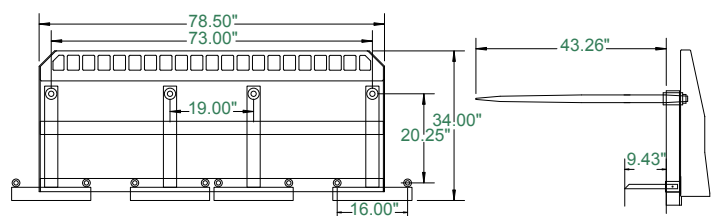


Double Adjustable Bale Spear

Our Double Adjustable Bale Spear is very useful around the farm. It can be adjusted to pick up 2, 4, 5, and 6 foot bales of hay, and is rated at 2,800 lbs. per spear.



- 2800Lb lifting capacity
- Designed to pick up 2- 4',5',and 6' bales
- Spears are adjustable



Hay Spears

Our Hay Spear is an excellent piece of equipment to have on the farm. Easily move bales of hay with a quick hook up on your skid steer or tractor. The Hay Spear is rated at 2,800 lbs. The Double Hay Spear has three spear spacing options to pick from; 32", 36", or 40". The selection will be a fixed spacing, non-adjustable. Euro Style and John Deere mounts are available.

- 2,800 lb weight rating
- Euro style and John Deere mounts are available
- Spear length 49" overall

Single Hay Spear



Double Hay Spear



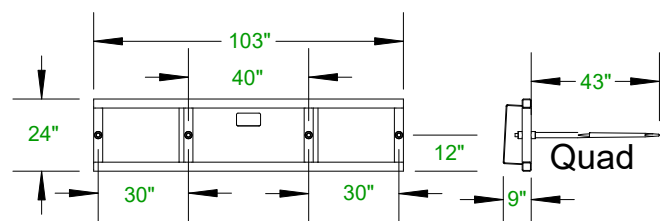
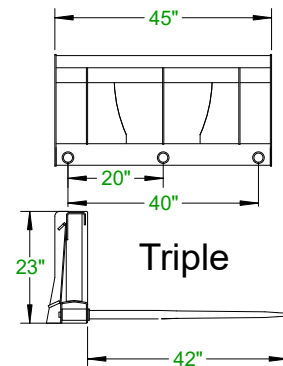
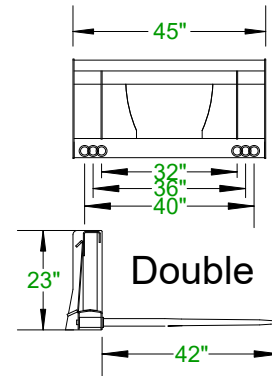
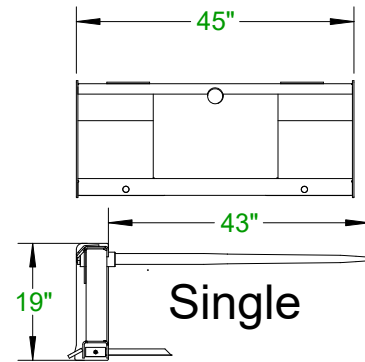
Triple Hay Spear



Quadruple Hay Spear



Hay Spear Specs



High Back Hay Spears

Single High Back Hay Spear



Double High Back Hay Spear



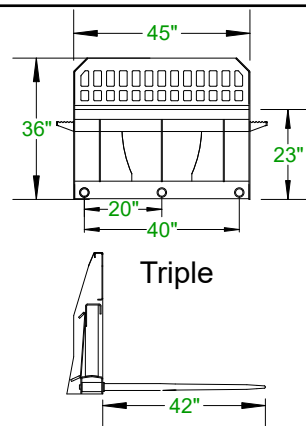
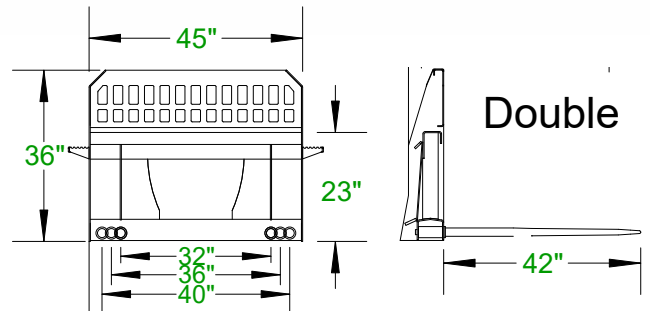
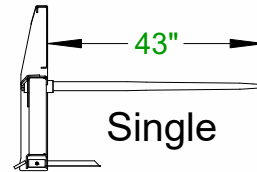
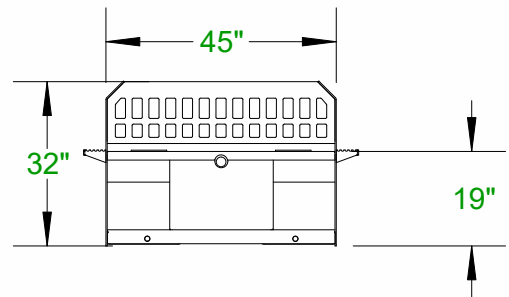
Triple High Back Hay Spear



Our High Back Hay Spear is designed to increase your leverage and safety when rolling the bales back towards the cab. Hay Spears easily move bales of hay with a quick hook up on your skid steer or tractor. Euro style and John Deere mounts are available.

- 2,800 lb weight rating
- Euro Style and John Deere mounts are available
- High back increases leverage and safety

Hay Spear Specs

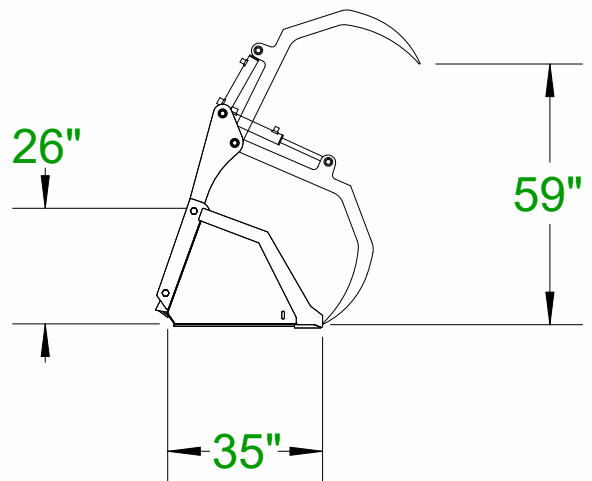




Our Hay Grapple Bucket is a large capacity bucket with a grapple. Used for gathering broken bales of hay, straw, silage and other light material. .

- 1/4 wrap , 3/4 x 6 cutting edge
- 2 x 10 cylinders Grease fittings at every hinge point
- Optional bolt on edge

Hay Grapple Bucket Specs



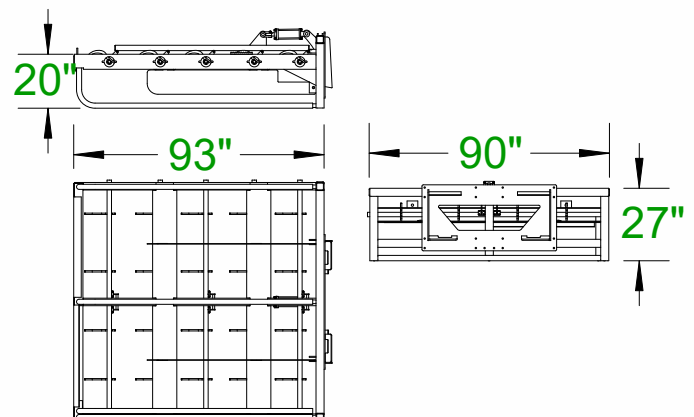
Hay Accumulator Grapple



The Accumulator Grapple allows one man and a skid steer to gather 8 to 10 square bales, grapple them, lift and off load to a trailer. No need for multiple pieces of equipment, this is all operated from inside the skid steer using the Accumulator Grapple.

- 2 x 6 cylinder
- 9" grapple hooks
- Radial bearings
- 10 bale capacity
- Adjustable width sides

Hay Accumulator Grapple Specs





Optional 4 way head

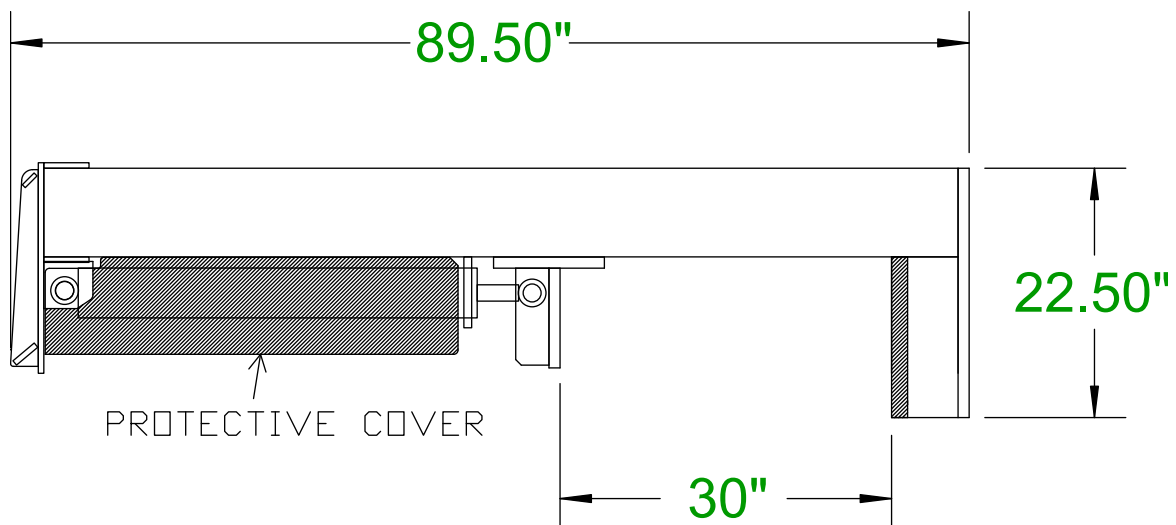
Picture shown with rear mount



- 40 ton 5" x 30" cylinder
- 10" I beam
- Two quick attach positions available
- Removable Cutting Heads
- Optional 4-way head

The CID Log Splitter operates from inside your cab. Simply maneuver the splitter over the log and activate the auxiliary hydraulics to split the log. Logs can also be picked up and placed with these splitters. Rear mount or side mount available for quick attach.

40 Ton Inverted Log Splitter Specs



X-treme Manure Forks Compact Tractor Manure Forks

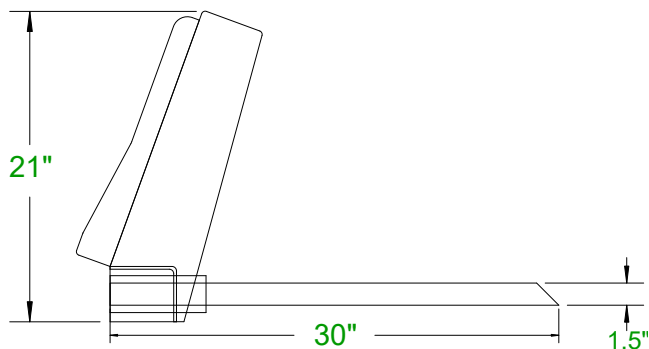
These forks are useful for manure and general pick up of materials when you only want to pick up the item and not the soil around it. The tines slide in through the front and are pinned from the rear.



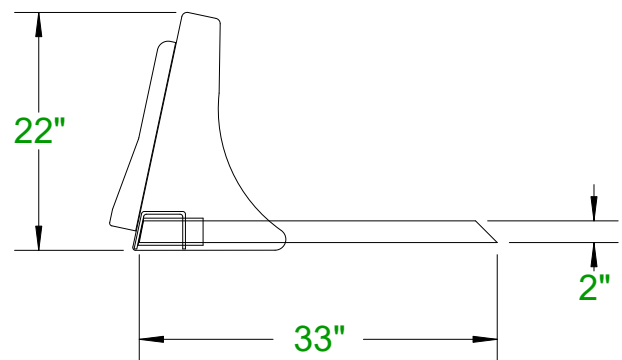
- Recommended for machines under 55 HP
- 1-1/2" cold rolled steel tines
- Available sizes: 54", 60", 66", 72"

- Strong 2" cold rolled steel tines
- Available sizes: 63", 66", 72", 78", 81", 84"
- Recommended for machines above 55 HP

Compact Tractor Manure Fork Specs



X-treme Manure Fork Specs



X-treme Manure Fork Grapples Compact Tractor Manure Fork Grapples



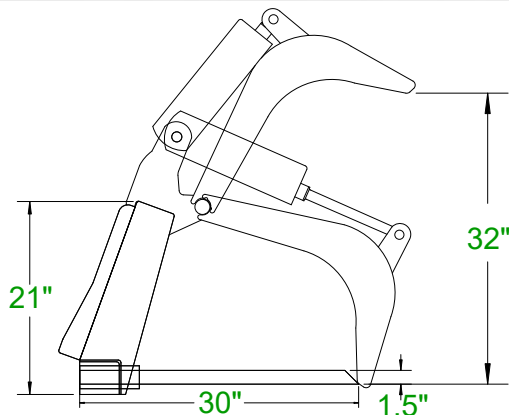
These forks are useful for manure and general pick up of materials when you only want to pick up the item and not the soil around it. The tines slide in through the front and are pinned from the rear.

Our X-treme Manure Fork Grapple is an excellent piece of equipment to have on the farm. Whether moving bales of hay or cleaning up after storm damage, you will find many uses for the manure fork grapple. Strong 2" cold rolled steel is used on the bottom tines.

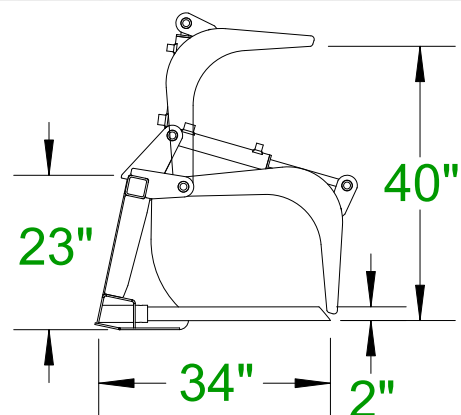
- Recommended for machines under 55 HP
- 1-1/2" cold rolled steel tines
- 2"x 10" cylinder
- Available sizes: 60", 66", 72"

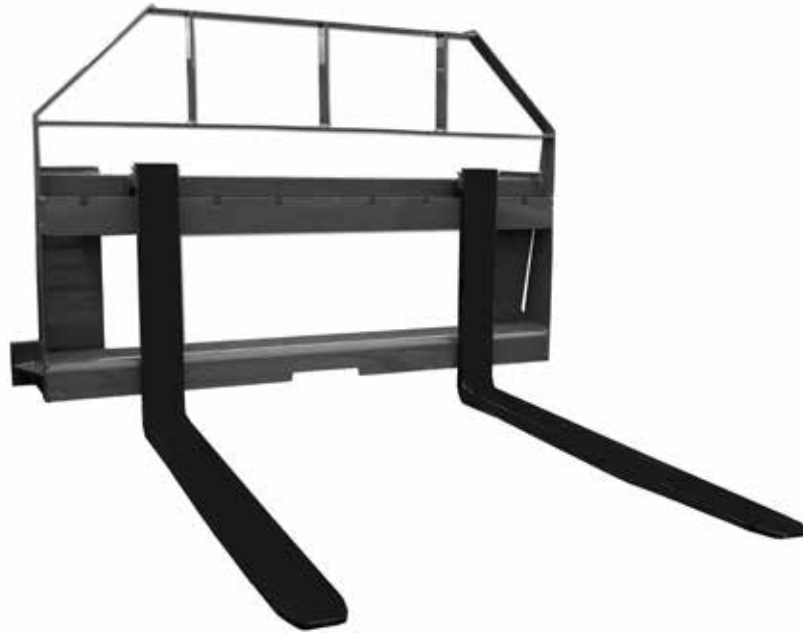
- Strong 2" cold rolled steel tines
- 2"x 10" twin cylinders
- Available sizes: 63", 66", 72", 78", 81", 84"
- Recommended for machines above 55 HP

Compact Tractor Manure Fork Grapple Specs



X-treme Manure Fork Grapple Specs

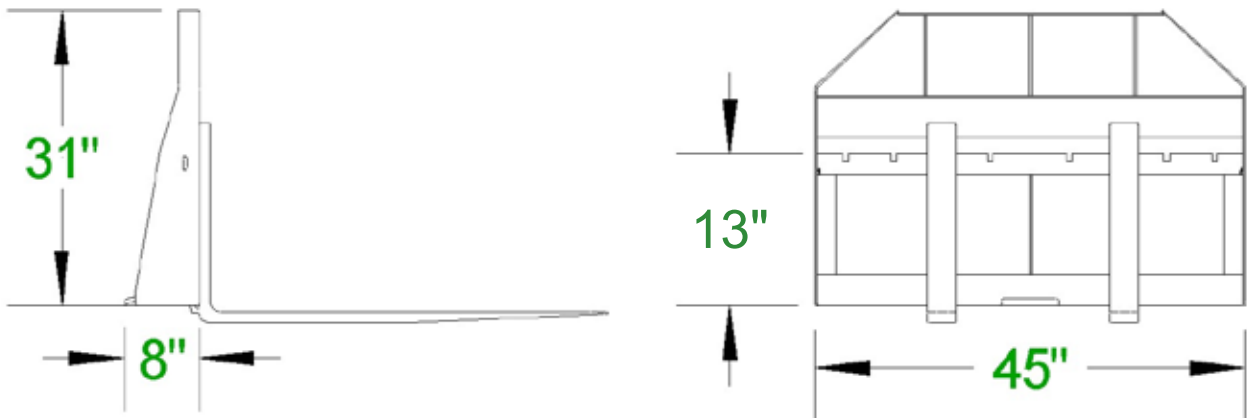




The CID Sub-Compact Pallet Forks are ideal for machines with limited lifting capacity. Similar to our compact tractor pallet forks, but using a class 1 fork to remove additional weight, without compromising strength. Fork tines come in 36" and 42" lengths.

- Heat treated American made forks
- 3/8" Formed top slide
- 2" x 3/8" Center slide support
- Open flat bar grill
- 1000 lb. load capacity

Sub-Compact Pallet Forks & Frame Specs



Compact Tractor Pallet Forks & Frame

CID compact tractor pallet forks are designed specifically for compact tractors. A lightweight frame offers 2000 lb. load capacity. Fork tines are 42" in length, while see through visibility eases tine placement. Hooking up is fast and convenient with a universal skid steer mount.



- Heat treated American made forks
- 2000 lb. load capacity
- 48" tines available
- Euro style and John Deere mounts are available

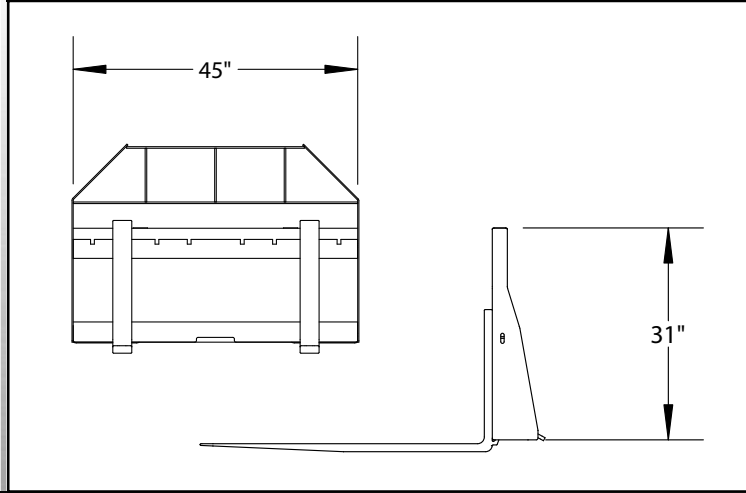
Standard Duty Pallet Forks & Frame

Anyone that owns a skid steer should have a set of forks on hand. Forks are ideal for lifting pallets, loading lumber or just about anything else. Our forks are 1-1/4 inches thick, 4 inches wide and 42 inches long. They are completely heat treated and rated to carry 3,000 lbs. We put a step on both sides of our frames so the operator can easily climb into the cab. Euro Style and John Deere mounts are available.

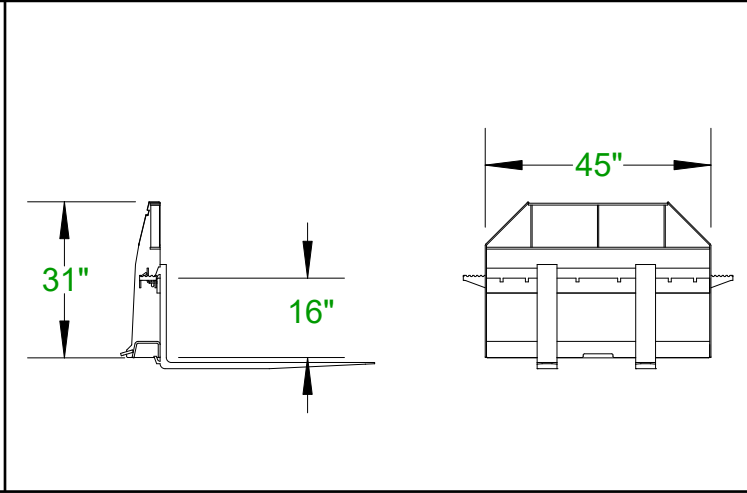


- Heat treated American made forks
- Rated to carry 3,000 lbs.
- Steps on both sides of frame
- Euro style and John Deere mounts are available
- 48" tines available

Compact Tractor Pallet Forks & Frame Specs



Standard Duty Pallet Forks & Frame Specs



Heavy Duty Pallet Forks & Frame - Hydraulic Pallet Forks & Frame

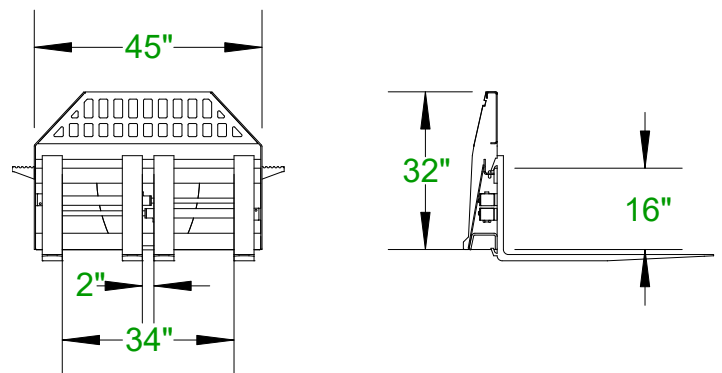
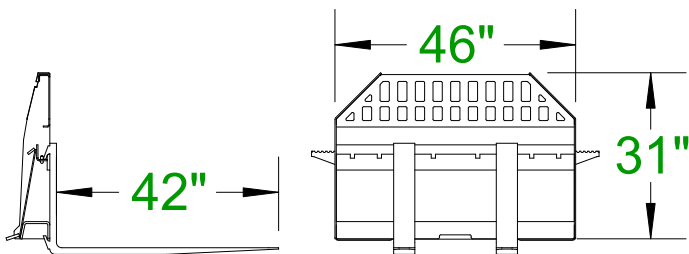


Anyone that owns a skid steer should have a set of forks on hand. Forks are ideal for lifting pallets, loading lumber or just about anything else. Our forks are 1-3/8 inches thick, 4 inches wide and 48 inches long. They are completely heat treated and rated to carry 4,000 lbs. We put a step on both sides of our frames so the operator can easily climb into the cab. Euro Style and John Deere mounts are available.

- Heat treated American made forks
- Rated to carry 4,000 lbs.
- Optional 5,500 lbs. capacity available
- Steps on both sides of frame
- Euro style and John Deere mounts are available
- Optional name in grill
- 42", 48", 60", 72" tines available

Heavy Duty Pallet Forks & Frame Specs

Hydraulic Pallet Forks & Frame Specs



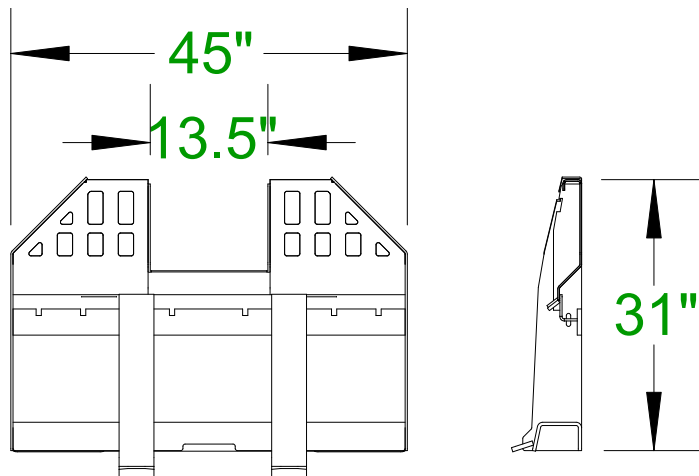
Heavy Duty Walk Through Pallet Forks & Frame



If you own a skid steer, you should have a set of forks on hand. Our walk through frame is exactly what it says. Instead of having to climb around or over the fork back frame, simply walk through it. This added convenience will make jobs go faster and easier whether you are lifting pallets, loading lumber or just about anything else. Our forks are 1-3/8 inches thick, 4 inches wide, completely heat treated, 48 inches long and rated to carry 4,000 lbs.

- Walk through design makes entering machine easier
- Heat treated American made forks
- Rated to carry 4,000 lbs.
- Euro style and John Deere mounts are available
- 42", 48", 60", 72" tines available
- Optional 5,500 lbs. capacity

Heavy Duty Walk Through Pallet Forks & Frame Specs



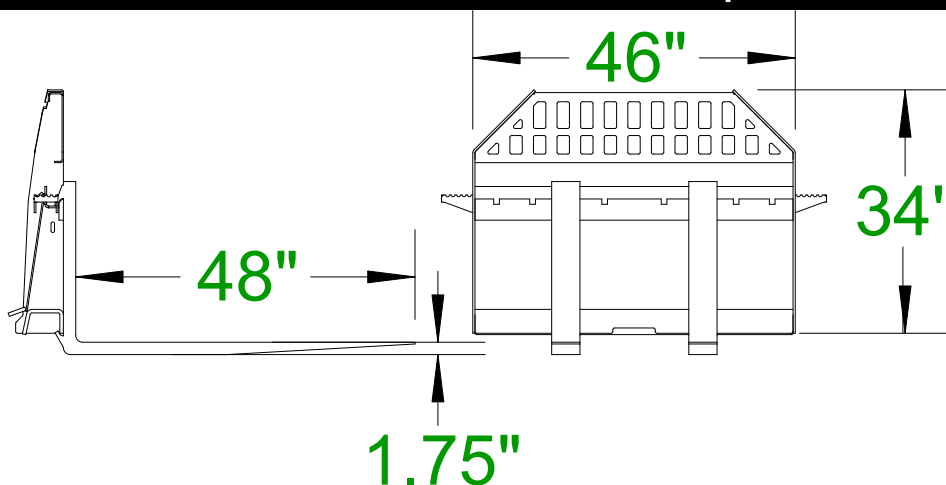
X-treme Pallet Forks & Frame



Anyone that owns a skid steer should have a set of forks on hand. Forks are ideal for lifting pallets, loading lumber or just about anything else. Our forks are 1-3/4 inches thick, 5 inches wide and 48 inches long. They are completely heat treated and rated to carry 8,000 lbs. We put a step on both sides of our frames so the operator can easily climb into the cab. Euro Style and John Deere mounts are available.

- Heat treated American made forks
- Rated to carry 8,000 lbs.
- Steps on both sides of frame
- Euro style and John Deere mounts are available
- Available sizes: 48", 60", 72", 96"

X-treme Pallet Forks & Frame Specs



X-treme Fork Grapples

X-treme Fork Grapple

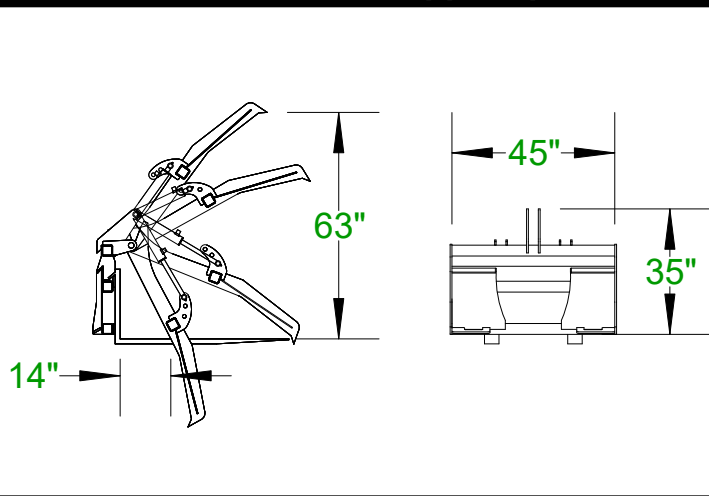
Our Fork Grapple is ideal for use on the farm, in logging operations and by general contractors. The top tine is adjustable for small or large loads and the hydraulic cylinder gives you plenty of clamping force. Our fork tines are completely heat treated from the tip to the heel and made in the U.S.A.



Class 2 shown

- Heat treated American made forks
- Adjustable top tine to handle any size load
- 2" x 12" cylinder
- Available with 48", 60", 72" tines
- Class 3 Optional

X-treme Fork Grapple Specs



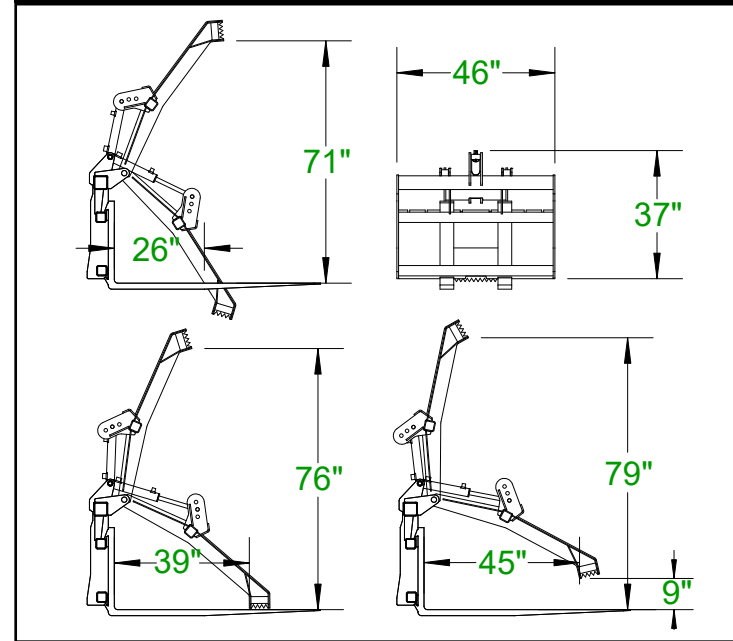
X-treme Mat Grapple

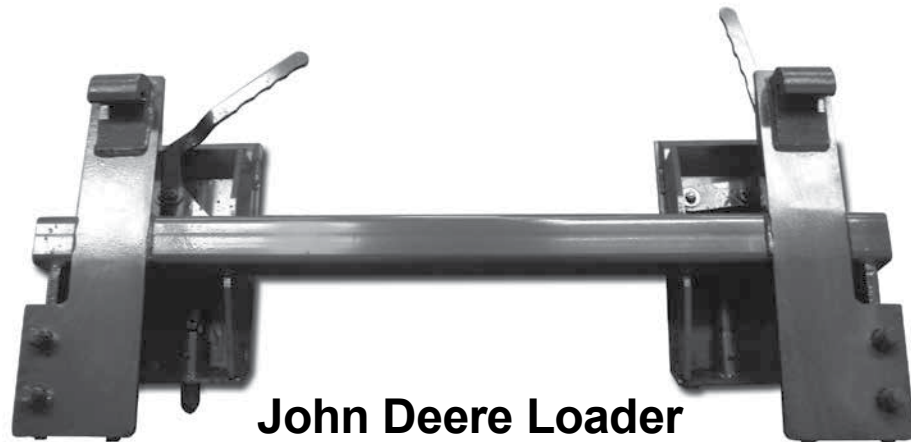
Our x-treme mat grapple is designed to pick up and move equipment mats. It can also be used to transport logs, poles and just about anything else. We build this in a class 3 carriage with a lifting capacity of 8,000 pounds.



- Heat treated American made forks
- Designed to lift equipment mats
- Teeth on the grapple to grip the mats
- 60" forks standard
- 48", 72" forks optional

X-treme Mat Grapple Specs





John Deere Loader



Euro Loader

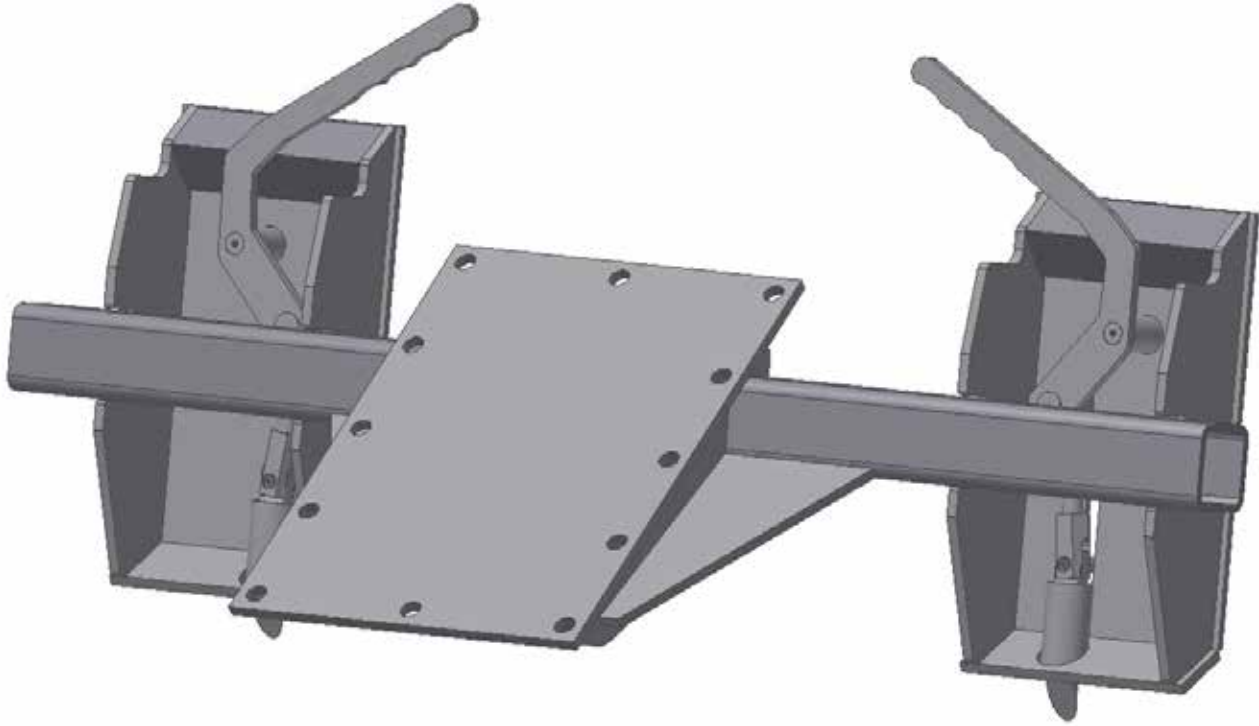


Front view

Your pin on tractor can easily be converted to a skid steer quick attach. All we require are a few simple measurements. For those that have John Deere loaders or Euro loaders, we also make a conversion to attach to your loader which enables you to use skid steer attachments.

Other hook ups available.

See page 95 for PIN DIAGRAM



Bolt on Style

The CID Excavator to skid steer conversion allows your excavator to use skid steer attachments. Our bolt on design gives the operator the ability to switch between multiple machines.

Compact Tractor & Heavy Duty Snow Plow



Our Compact Tractor Snow Plow allows you to quickly clear driveways and parking lots. This plow is designed for compact tractors under 45 HP. Easily angle the plow with the 2" x 6" hydraulic cylinder.

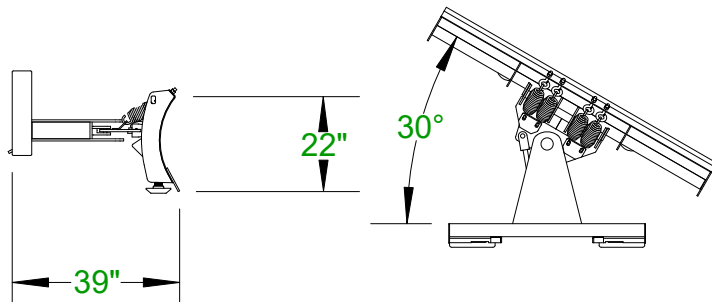
- Designed for compact tractors
- Available in manual angle
- 2" x 6" hydraulic cylinder
- Available sizes: 48", 60", 72", 84"
- Angles to 30 degrees both ways
- Available with Rubber Edge



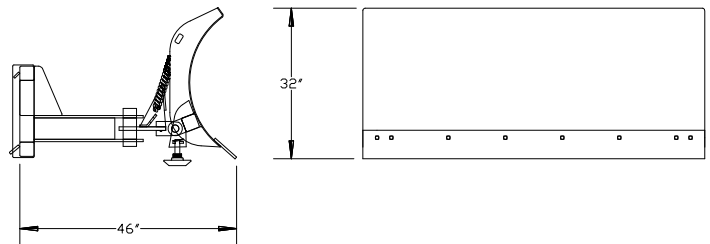
Our Heavy Duty Snow Plow is the same basic design of our X-treme Snow plow but without the extra roll top. This design allows the operator to have better visibility while plowing.

- Easily angle the plow from inside the cab
- Available in manual angle
- 3" x 6" hydraulic cylinder
- 1/2" AR400 bolt on cutting edge
- Adjustable skid shoe
- Available sizes: 72", 84", 96", 108", 120"
- Angles to 30 degrees both ways
- Available with Rubber Edge

Compact Tractor Snow Plow Specs



Heavy Duty Snow Plow Specs



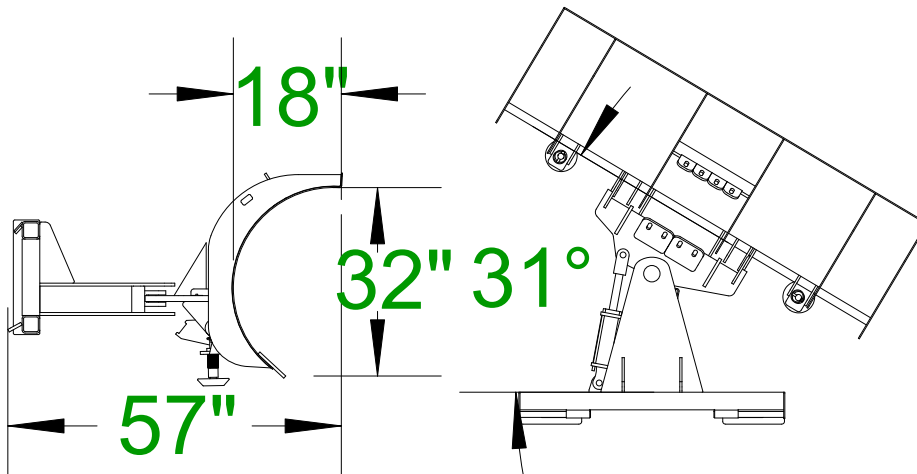
X-treme Snow Plow



Our X-treme Snow Plow allows you to efficiently clear driveways and parking lots. Easily angle the plow from within your cab, using the 3" x 6" hydraulic cylinder. The top of the plow is rolled to keep the snow from coming back towards the cab. It's 1/2" bolt on cutting edge and adjustable snow shoes are standard.

- Easily angle the plow from inside the cab
- 3" x 6" hydraulic cylinder
- 1/2" AR400 bolt on cutting edge
- Adjustable skid shoe
- Available sizes: 72", 84", 96", 108", 120"
- Angles to 30 degrees both ways

X-treme Snow Plow Specs



Snow Pushers

X-treme Snow Pusher

Our X-treme Snow Pusher allows you to clear a parking lot quicker than a snow plow. The snow pusher edge is 1-1/2" thick x 8" wide, adjustable, reversible and replaceable rubber so you won't tear up the pavement. The mold board is 1/4" and the sides are 3/8" thick for extra support.



Picture shown with optional pull back.

- 1-1/2" x 8" replaceable rubber edge
- 1" AR400 replaceable shoes
- 3/8" thick sides for extra support
- Available sizes: 72", 84", 96", 108", 120", 144"
- Optional pull back
- Bucket lip mount available

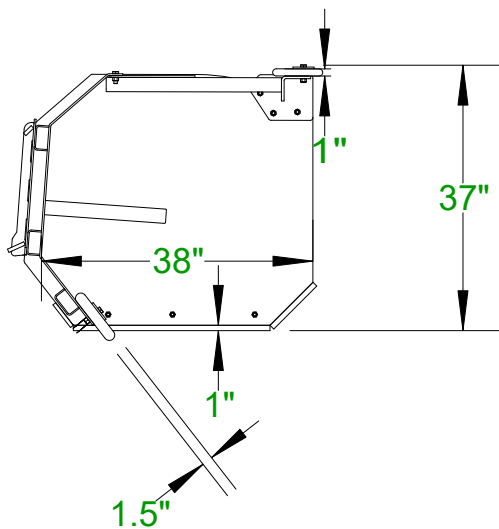
Compact Tractor Snow pusher

Our Compact Tractor Snow pusher is a smaller version of our full size pusher, allowing you to get to areas a large machine could not reach. The low profile design offers greater visibility for small tractors and mini skid steers. Offered with a rubber or steel edge.

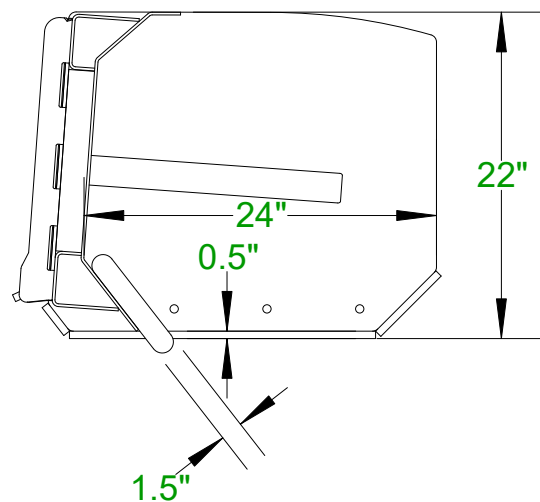


- 1-1/2" x 8" replaceable rubber edge
- 1/2" AR400 replaceable shoes
- 5/16" sides
- Optional pull back

X-treme Snow Pusher Specs



Compact Tractor Snow Pusher Specs



X-treme Snow Blower

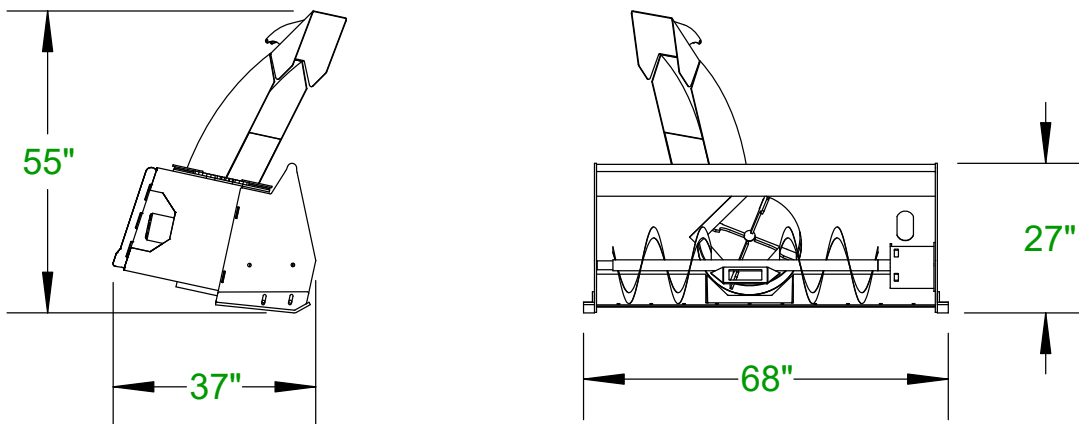


Shown with manual chute actuator

The X-treme Snow Blower offers a 14" auger and single stage hydraulic blower. Other features include an electric controlled gear drive chute and deflector that rotates 180 degrees so the operator can change directions on the fly.

- Optional chute actuator
- Sizes - 60" 72" 78" 84"
- 15-25 GPM flow rate
- Chute rotates 180 degrees
- Available in 8 pin and 14 pin or a universal controller

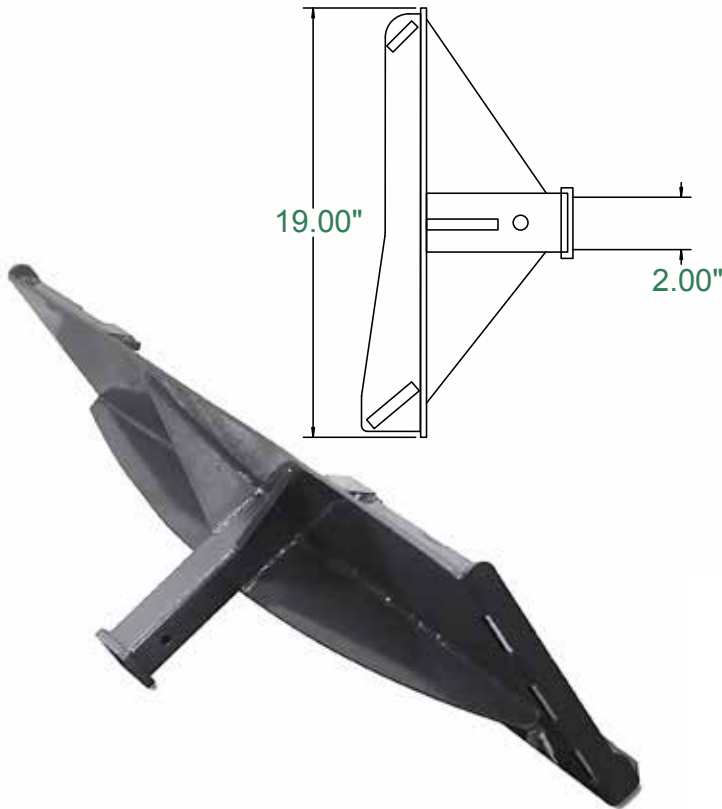
X-treme Snow Blower Specs



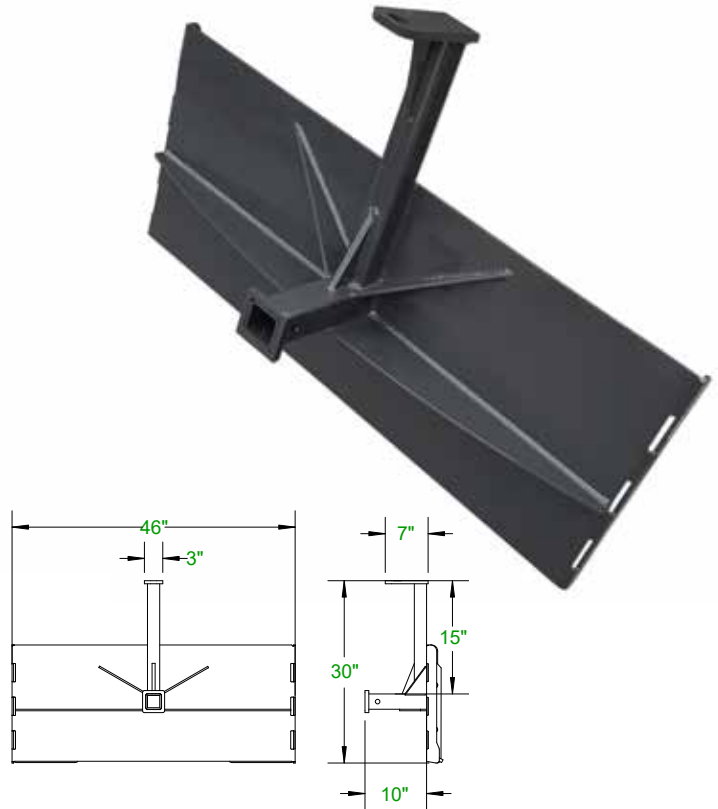
Receiver Hitch

Our receiver hitch makes it easy to move trailers around the yard using your skid steer. While it uses the same ball mounts you use in your other vehicles, hooking up only takes a fraction of the time required to hook a trailer to your truck.

Receiver Hitch Specs



Gooseneck Receiver Hitch Specs



3-Point Hitch

The CID 3-Point Hitch is handy to have around the farm. Simply drive your skid steer up to the implement, hook it up and go. No need to get your tractor out, just to move some attachments around. **Available in cat 1 or cat 2.**



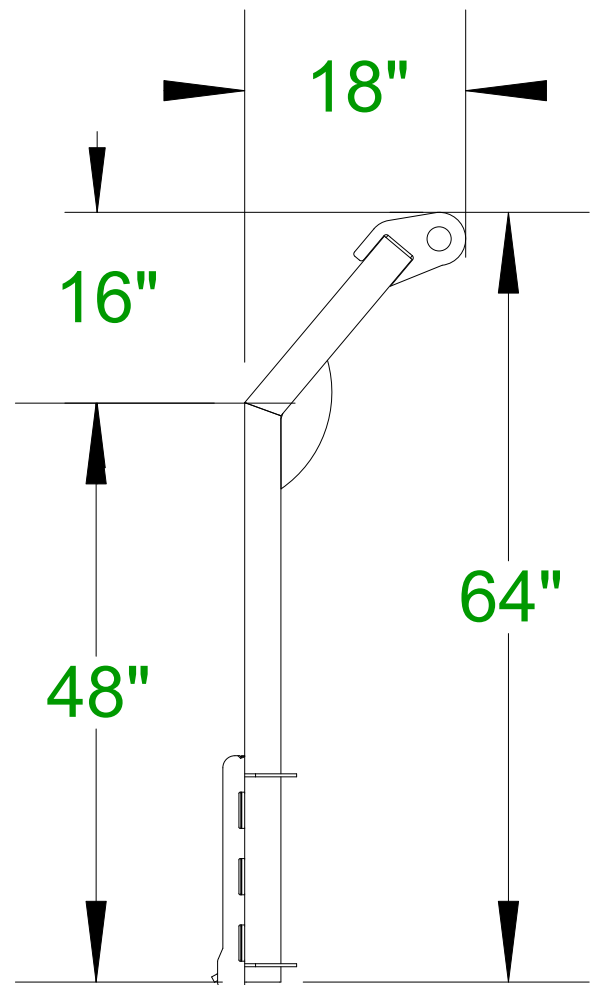
X-treme Boom Pole



The X-treme Boom Pole is an essential tool for anyone in the landscaping or nursery industry. Easily pick up trees to be planted, transported or loaded. The boom is constructed from 3" x 3" tubing that is 1/4" thick, and is rated to carry 3,000 lbs. You also have the option of ordering it with an extended 4 x 4 tube boom pole.

- Constructed from 1/4" thick, 3" x 3" tubing
- Rated to carry 3,000 lbs.
- Upgraded 4 x 4 tubing available

X-treme Boom Pole Specs



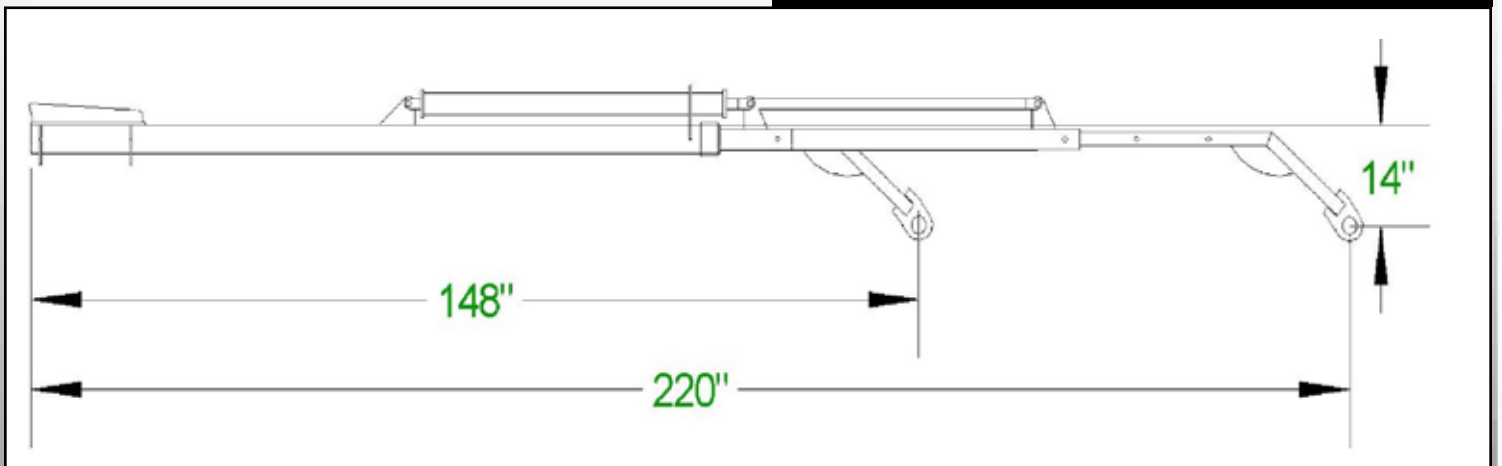
Telescopic Boom Pole



The CID Telescopic boom Pole is a hydraulically driven pole which allows for easy transportation of your items, with the ability to extend your height by 72". The pole has a 4x4 base with 3/8" thick walls. The hydraulic extension arm is constructed from 3x3 tubing, and the manual extension from 2x2 tubing. The Arm is rated to carry 1200 lbs, with an angle limitation of 45 degrees. The manual extension arm can be positioned in 2 different height locations, one at 12" and the other at 24".

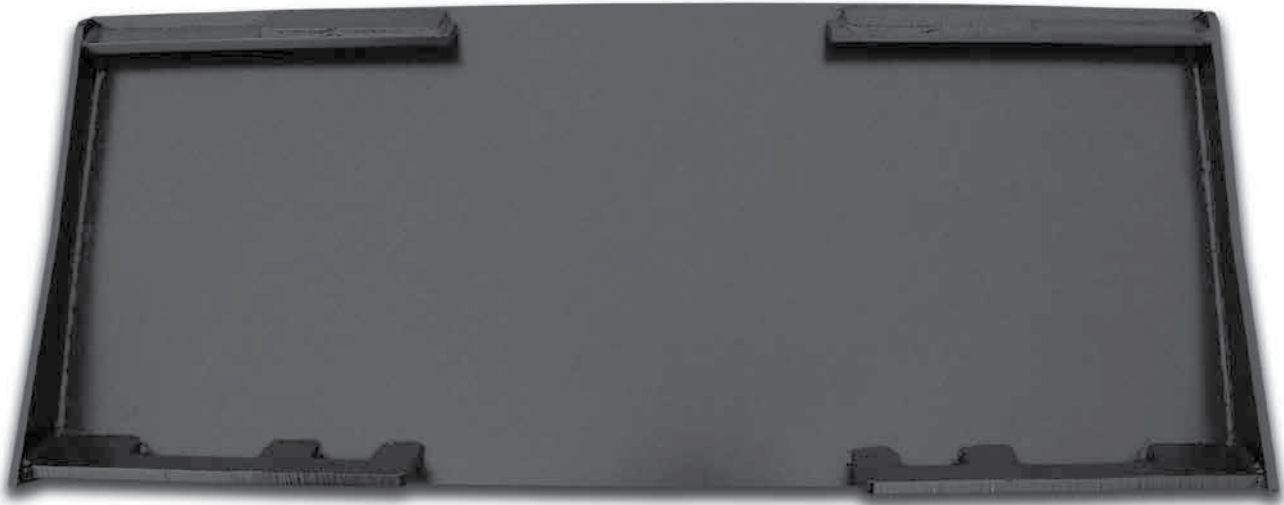
- Up to 72" height Extension
- 2.5"x48" Hydraulic Cylinder
- 16" Extended Arm set at 40 Degrees
- 2.5" Hole in Bracket for strapping Chains, Hooks

Telescopic Boom Pole Specs



Universal Skid Steer Quick Attach

With the CID Universal Skid Steer Quick Attach plate, you can easily convert your existing attachment to the universal skid steer hook up. Simply weld or bolt the quick attach plate to the implement you wish to convert. Our standard quick attach steel plates are 1/4" thick and are solid across the back. The mounts are 1/2" thick. We can also make the steel plates thicker for different applications.



3/8" and 1/2" available

X-treme Tooth Bar

Attaching a CID tooth bar to your existing bucket means you are ready for some serious digging. Simply drill a hole on each side of your bucket and bolt on the tooth bar. The shanks on the tooth bar hook onto your existing cutting edge, where all the pressure is applied. The bolts simply hold the tooth bar on the bucket. Our tooth bar teeth are all replaceable, so you don't have to worry about breaking one.

Note: Will not work with bolt on edge



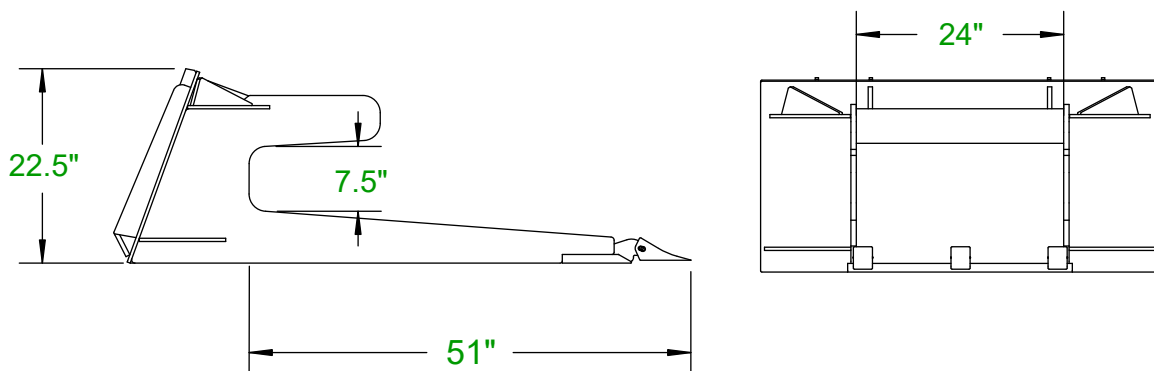
- Replaceable teeth
- Available Sizes: Any Size Needed
- Optional small teeth available



The CID concrete claw is designed to pick up big slabs of broken concrete on job sites, construction sites, driveways and sidewalks. The concrete claw can also be used to remove stumps, shrubs, bushes, and large rocks.

- 5/8" AR400 sides.
- 3/8" bottom & top plates.
- 4" square tube on top.
- 1" x 8" edge with 23 series teeth.

Concrete Claw Specs



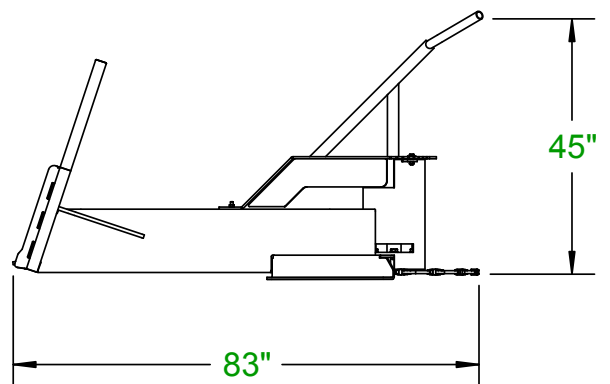
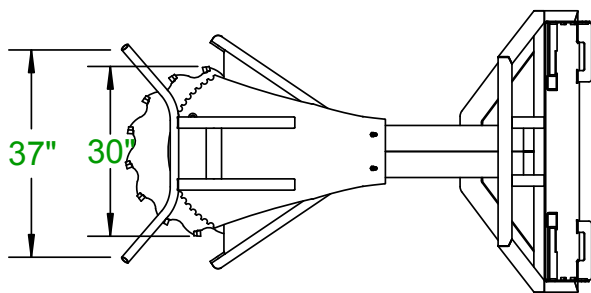
X-treme Tree Saw



The CID Fixed Tree Saw is a useful attachment when it comes to land management. From clearing undergrowth to cutting out smaller trees this tree saw attachment will leave your land looking like it should. This tree saw has two flow models. One that runs at 17 to 23 GPM and does not require a case drain. Another that runs at 20 to 30 GPM, is a piston motor and requires a case drain.. All hydraulics are routed through the boom for protection. The blade holder is ½" AR400 and there are fifteen high strength, four sided cutting teeth. (Please see page 93 of the catalog for full warranty).

- 17 to 23 GPM and does not require a case drain
- 20 to 30 GPM, Piston Motor and requires case drain
- Blade holder is ½" AR400
- Fifteen high strength, four sided cutting teeth

Fixed Tree Saw Specs



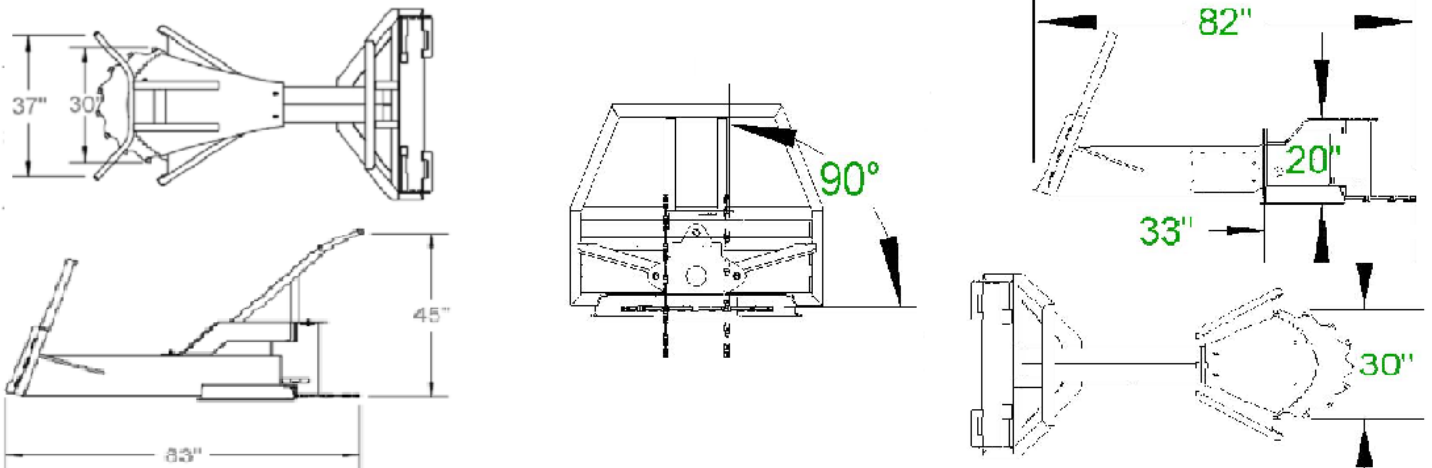
X-treme Manual Rotating Tree Saw

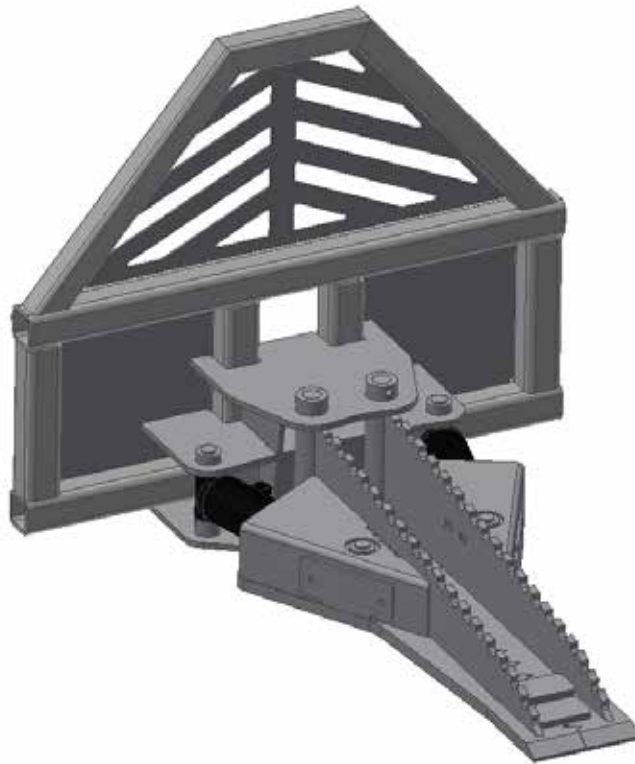


The CID Xtreme Tree Saws are useful attachment when it comes to land management. From clearing undergrowth, to cutting out small trees, these attachment will leave your land looking like it should. We have two versions of our tree saw: Fixed and Manual Rotating. The Manual Rotating is new for 2019, and provides a 90 degree rotation in either direction. Hydraulics on both models are routed through the boom for protection. Both models have a 1/2" AR400 blade holder, and 15x high strength, four sided cutting teeth. (Please see page 93 of the catalog for full warranty).

- 17 to 23 GPM and does not require a case drain
- 20 to 30 GPM, Piston Motor and requires case drain
- Blade holder is 1/2" AR400
- Fifteen high strength, four sided cutting teeth

X-treme Manual Rotating Tree Saw Specs

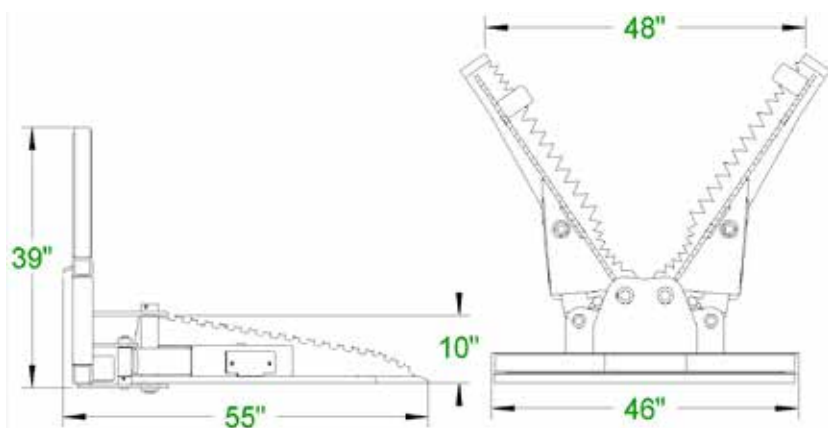




The CID Terminator Tree and Stump Remover is an excellent addition to your landscaping arsenal. Our powerful American made 3.5" bore cylinders provide the clamping force needed to pull 12" trees and remove any size stump. The Terminator boasts a total of 66 AR400 teeth, 32 horizontal and 34 vertical.

- Dual 3.5" x 4" Cylinders, 1.25" Pins
- 1.5" Main Pivot Pins
- Replaceable 1" x 8" Cutting Edge
- 5/8" AR400 Vertical Teeth
- 1" AR400 Horizontal Teeth
- Clamping Force of 29,000 lbs

Terminator Tree and Stump Remover Specs

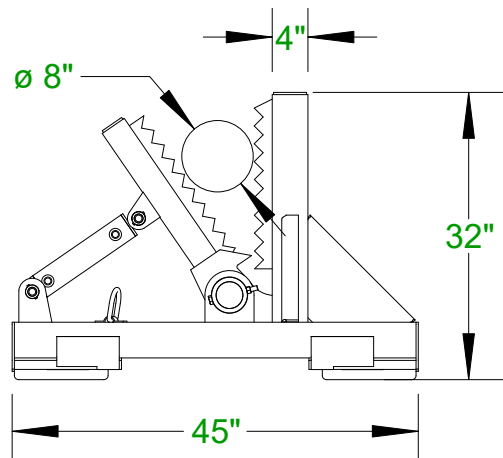




This versatile puller will pull posts up to 8" in diameter and trees up to 6" in diameter. It allows you to pull up unwanted trees and shrubs without having to dig around the roots.

- Pull posts up to 8" in diameter and trees up to 6" in diameter
- 2-1/2" x 8" cylinder

Tree & Post Puller Specs

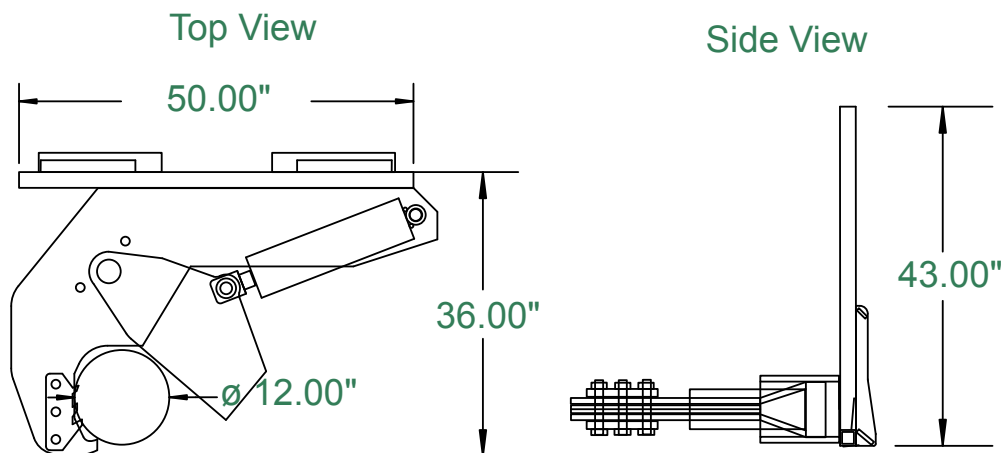




Our X-treme Tree Shear has a 5" bore cylinder that can generate up to 40 tons of shearing force. It is constructed with a 1" thick AR400 blade, which gives you the ability to cut up to 12" diameter trees and logs. It's design forces trees to fall consistently to the right, allowing the operator to accurately position where the tree will land.

- 1" thick AR400 blade
- 40 tons of shearing force
- Capable of cutting 12" trees
- Powered by a 5" x 12" cylinder

X-treme Tree Shear Specs

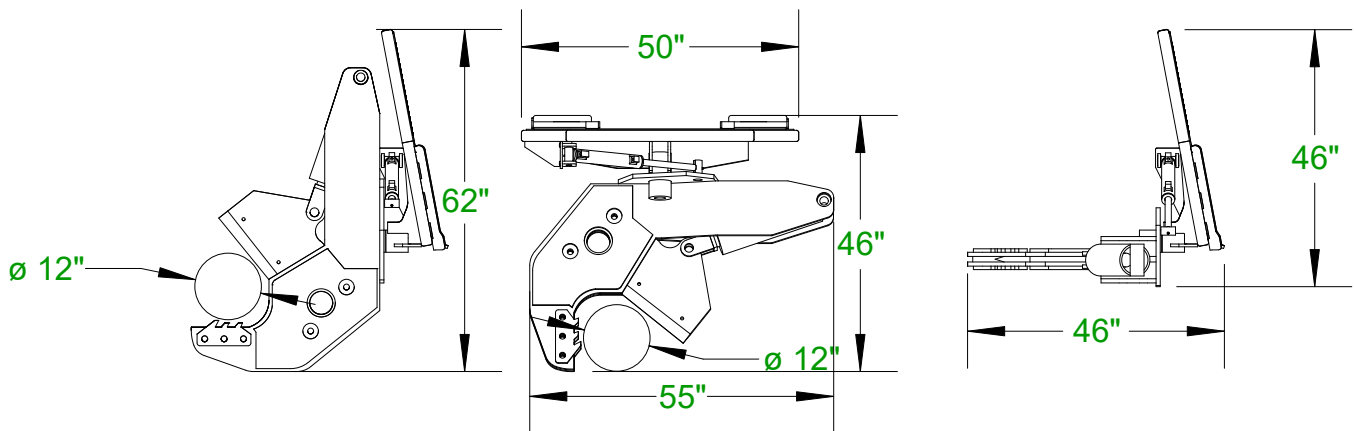




Our X-treme Rotating Tree Shear has a 5" bore cylinder that can generate up to 40 tons of shearing force. It is constructed with a 1" thick AR400 blade, which gives you the ability to cut up to 12" diameter trees and logs. It features a 90 degree rotation that is offered in manual or hydraulic. (Note: manual is a two man operation.) It's design forces trees to fall consistently to the right, allowing the operator to accurately position where the tree will land.

- 1" thick AR400 blade
- 40 tons of shearing force
- Capable of cutting 12" trees
- Hydraulic tree shear powered by a 5" x 12" cylinder
- 90 degree rotation offered in manual or hydraulic
- Available with universal 8 or 14 pin wiring harness

X-treme Rotating Tree Shear Specs

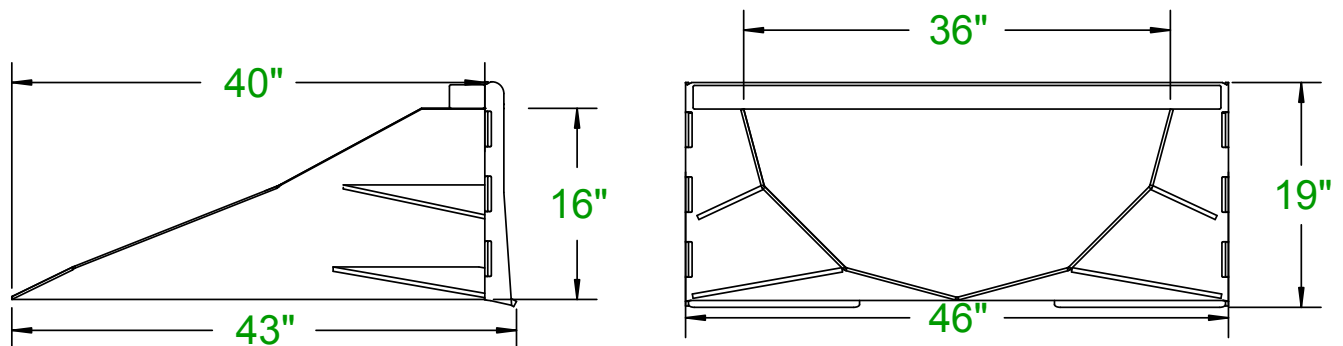




The CID Tree Spade is an essential tool in the landscaping and lawn care or nursery industry that can easily dig out stumps, transplant trees or dig trenches. Our tree spade is made from abrasion resistant 1/4" AR400 material. The front edge is beveled to give a sharp penetrating edge for digging. This is offered in 40" and 48" sizes.

- Made with 1/4" AR400 Material
- Front Beveled Edge
- Available sizes: 40", 48"

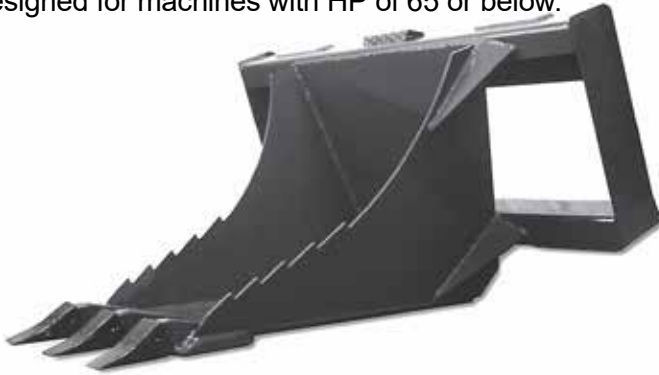
Tree Spade Specs



Stump Buckets

Heavy Duty Stump Bucket

The Heavy Duty Stump Bucket is an excellent addition to your skid steer attachments. Easily dig around the stump, and then pop it out. We have even had contractors dig house footings with the stump bucket. These stump buckets will enable you to be more versatile in your contracting needs. The Heavy Duty Stump Bucket is designed for machines with HP of 65 or below.



- Great for stump removal and digging footings
- 3/8" sides 3/4" x 6" edge
- 3" x 3/8" Wear bars

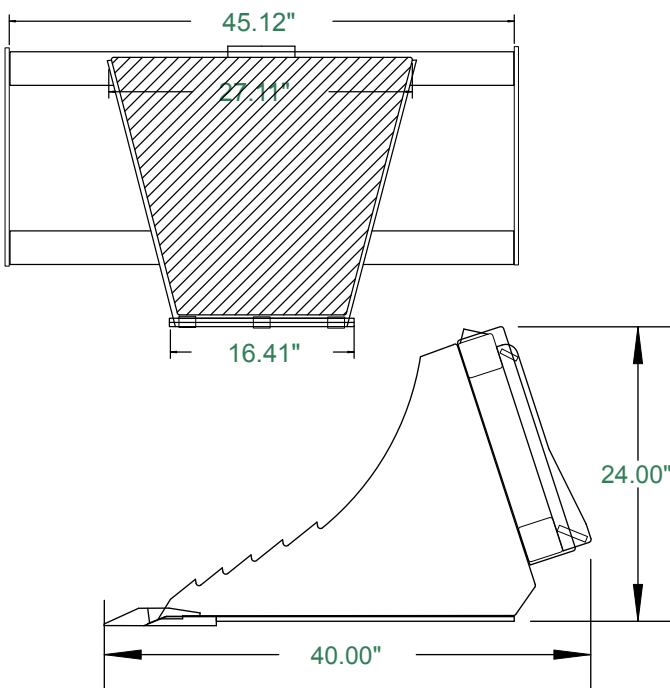
X-treme Stump Bucket

Our X-treme Stump Bucket is made from 1/2" top quality steel plate and features a 1" cutting edge with replaceable teeth. It has a curved bottom, giving you more leverage when prying up rocks and stumps or digging in harder ground. The X-treme Stump Bucket is a full 12" longer than our Heavy Duty Stump Bucket, which allows you to dig much deeper.

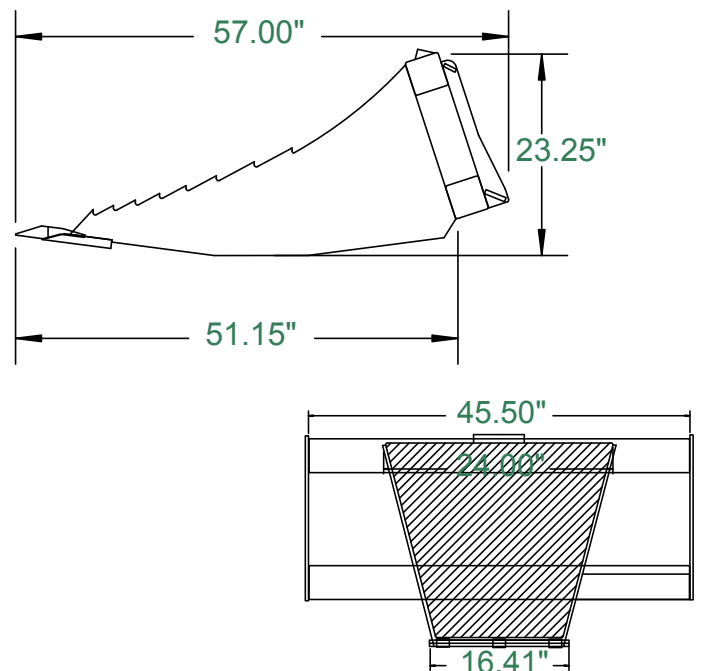


- 4x4 Square tube frame
- Made from 1/2" top quality plate
- 1" cutting edge
- Replaceable teeth
- 12" longer bucket
- 3" x 3/8" Wear bars

Heavy Duty Stump Bucket Specs



X-treme Stump Bucket Specs



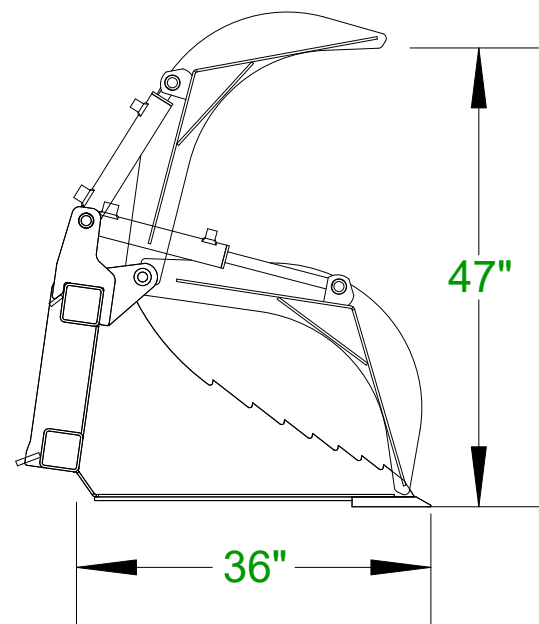
X-treme Stump Grapple



Our X-treme Stump Grapple is made from 1/2" top quality steel plate and features a 1" cutting edge, replaceable teeth and a 3/8" hose. Not only are you able to dig out stumps, you are able to carry them away afterwards. No need to have another attachment for loading the stump into your dump truck, or moving the stump to a burn pile.

- Made from 1/2" top quality plate
- 1" cutting edge
- Replaceable teeth
- Easily transports stumps
- 2" x 10" cylinder
- 3" x 3/8" Wear bars

X-treme Stump Grapple Specs



Mini Auger Drive

Our Mini Auger Attachment has a continuous pressure rating of 3,000 psi and an intermittent pressure of 4,000 psi. The auger consists of a motor mounted directly to the planetary gear box with no chains to break or come loose. It comes complete with mounting plate, hoses and couplings. There is no need to pay extra for anything. The output shaft is either a 2" hex or 2-9/16" round drive and is powerful enough for the toughest jobs.

- Direct drive through planetary gear.
- Mounting plate, hoses and couplings included.
- Various auger bit sizes and styles are available.
- Heavy duty output shaft.
- Capable of driving up to 36" bit



Brush Cutter

The mini skid steer Brush Cutter easily fits into tight places that your standard skid steer brush cutter can't reach. It offers a 44" cut to tackle even the most demanding jobs, and has the capability of cutting 3" brush in a single pass. Standard features include a Parker motor, Omni gear box.

- 44" cut
- Flow range of 10-15 GPM



4 N 1, 44"

The 4-N-1 bucket is a very versatile attachment for your mini skid steer and is ideal for grappling, dozing, backfilling, loading, digging and fine grading.

The cylinders on our mini skid steer 4-N-1 Buckets have a 2" bore by 6" stroke. The buckets are equipped with a 3/8" x 3" cutting edge. They are also built with top quality steel, oversized pins and bushings, with grease fittings at every pivot point. Every unit exceeds the lifting capacity of the skid steer machine it is used on.

- 2" bore by 6" stroke cylinders
- Grease fittings at every pivot point
- Optional weld on teeth



Mini Concrete Bucket

Our Mini Skid Steer Concrete Bucket Attachment is designed for carrying and placing concrete using your skid steer. It allows you to accurately place concrete in areas inaccessible to trucks without any waste. It eliminates having to use a wheelbarrow and reduces manual labor.

- 3/16" material
- 1/4" yard capacity



Low Profile Bucket

The mini skid steer Low Profile Bucket is ideal for moving, digging, and grading dirt or gravel. Sizes ranging in widths from 34"-48". Extreme Package upgrade available(20" Buckets will have a 1/4" Wrap, 15" Buckets will have a 1/2" wrap/sides and a 1/2 x 6" edge

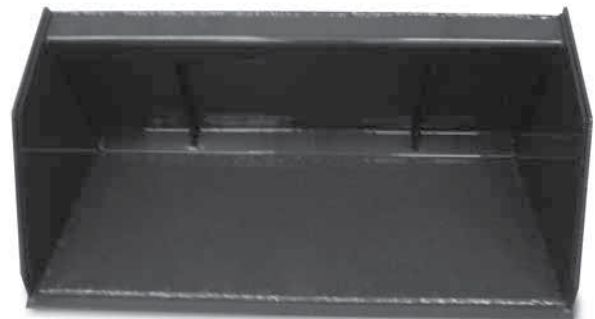
- Optional weld on teeth are available
- 3/16" bucket wrap
- 3/8" x 3" edge
- Widths ranging from 34"-48"
- MT50 Bucket height 15"
- Dingo Bucket height available in 15" or 20"
- Xtreme Package Available- 1/4" wrap on 15", 1/4" wrap and side on 20" with 1/2" x 6" Edge



Snow & Litter Bucket, 48"

The mini skid steer Snow & Litter Bucket is ideal for lifting large volume, low weight material such as snow, mulch, manure, sawdust, shavings and any other type of loose or light debris.

- Designed for large volume, low weight material
- 3/16" bucket wrap
- 3/8" x 3" edge



Rock Bucket, 44"

The mini skid steer Rock Bucket is made from top quality steel and is ideal for sifting out large rocks. It works great in pastures, lawns or construction sites.

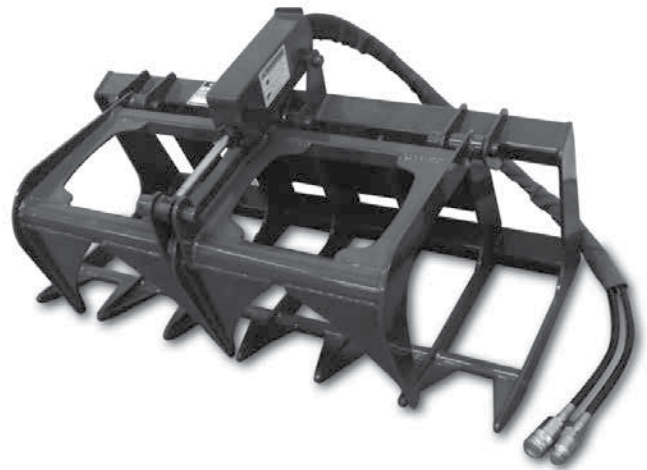
- Optional weld on teeth are available
- 1/2" x 4" edge
- 5/16" tines
- 2 3/8" Spacing



Root Grapple, 44"

Our mini skid steer Root Grapple is perfect for the compact tractor. They are built strong yet very light weight.

- 2" x 10" stroke cylinder
- 5/16" steel



Grapple Rake, 44"

The mini skid steer Grapple Rake is ideal for raking up debris. The shape of the grapple rake makes it easy to roll debris into tight piles if you are planning to burn. We use twin 2" by 6" stroke cylinders, rated at 3,000 psi to handle the toughest jobs. Our mini skid steer Grapple rake is built with 3/8" top quality steel

- Twin 2" bore by 6" stroke cylinders
- Unique design makes it easy to roll debris into tight piles



Grapple Bucket, 44"

The mini skid steer Grapple Bucket is a versatile, and great choice for anyone who owns a mini skid steer. Easily pick up logs, rock, left over building supplies or any other type of debris. They are built with top quality steel, have 2" bore by 10" stroke cylinders, oversized pins and bushings, with grease fittings at every pivot point. Every unit exceeds the lifting capacity of the machine it is attached to.

- 2" x 10" stroke cylinder
- Grease fittings at every pivot point
- Optional weld on teeth



Land Leveler, 44"

Our mini skid steer Land Leveler is used to cultivate, grade, cut, and mainly level land. This attachment is not designed to transfer large amounts of dirt. They are specifically used for leveling jobs such as dirt roads and gravel driveways.



Multi-Purpose Power Rake

Our mini skid steer Multi-Purpose Power Rake is an innovative landscape tool that combines a 4N1 bucket along with a power rake. No longer will you have to change attachments to finish preparing the soil bed. You can now use your rake for back dragging, digging, and grappling.

- Dual 2-1/2 x 8" cylinders
- 1-1/4" Pivot pins
- Carbide roller tips
- 7-1/2" diameter drum (10-1/4" tip to tip)
- Side cutters standard
- Direct drive motor
- Flow Rate of 15-25 GPM Required



Mini Rotary Tiller

The mini skid steer rotary tiller is a perfect attachment for tilling gardens and small fields. It's also great for deer hunters to use to make food plots with ease. These tillers have a bi-directional rotation and can till ground up to 6" deep

- 10-20 GPM
- 2 3/8" diameter tine rod.
- Bolt on replaceable tines.
- 1/4" plate, rolled housing.
- 3/8" sides with 3/8" shoes.
- Size: 42".



Mini Trencher

Our mini skid steer trencher is ideal for trenching water lines and cable lines in places a full size trencher cannot get to. With a dirt chain, 1/2 rock & frost or full rock & frost we are sure to have a chain to fit your trenching needs.

- 10" auger
- 4" or 6" chains
- 36" or 48" Lengths



Pallet Forks, 31" and 42"

Our mini skid steer pallet forks fit the Dingo, Boxer, Ramrod, Ditch Witch and Thomas. Rated at 2800lbs. These are class 1 fork tines.



Mini Snow Pusher

Our Mini Skid Steer Snow Pusher allows you to clear a parking lot quicker than a snow plow. It is 48" wide.



- 1/2" x 8" replaceable rubber edge
- 1/2" AR400 replaceable shoes
- 5/16" sides
- Optional pull back

Boom Pole

The mini skid steer Boom Pole is an essential tool for anyone in the landscaping or nursery industry. Easily pick up trees to be planted, transported or loaded. The boom is constructed from 3" x 3" tubing that is 1/4" thick, and is rated to carry 3,000 lbs.



- Constructed from 1/4" thick, 3" x 3" tubing
- Rated to carry 3,000 lbs.

Mini Stump Grapple

Our Mini skid steer stump grapple is a scaled down version of the heavy duty stump grapple. With the weight of the grapple in mind, we were able to design this to withstand the force of the largest of the mini skid steers. Whether you are digging out stumps or digging a trench, our mini stump grapple is up for the test.



- 3/4 x 6 cutting edge
- 2 x 10 cylinder
- 23 series teeth



Warranty

LIMITED WARRANTY

Construction Implements Depot, Inc. products are warranted to be free from defects in workmanship or materials for a period of (12) months from initial sale, lease or rental date.

FORESTRY DISC MULCHER

For more info on our disc warranty please refer to our disc operating manual. For warranty info on all other components on the forestry disc mulcher please refer to the CID operator's manual.

NON-COVERED ITEMS

- This warranty does not cover normal wear items, including but not limited to, bearings, hoses, ground engaging parts such as, teeth, blades, cutting edges, pilot bits, auger teeth and broom bristles.
- This warranty does not cover maintenance, service or adjustments.
- This warranty does not cover damage due to misuse, negligence, accidents, or improper maintenance.
- This warranty does not cover damage due to improper application, installation, adjustment or setup.
- This warranty does not cover improper modifications of product.
- This warranty is void if any components have been disassembled, i.e. pumps, gear boxes, motors.
- Specially modified attachments built by CID X-treme Attachments to meet your customer's needs shall not be warranted by Construction Implements Depot, Inc.
- This warranty does not cover replacement parts not supplied by CID, Inc.

WARRANTY STATEMENT

Our obligation under this Limited Warranty shall be solely limited to repairing or replacing any part (see non-covered items) free of charge that, according to our judgment, shows evidence of a defect in quality of workmanship or materials for the stated (12) month warranty period. All defective parts must be routed directly to CID, Inc. with freight or delivery charges to be prepaid. This Limited Warranty shall not be interpreted to render CID, Inc. liable for any injury or damage to persons, business or property of any kind nor expenses or losses incurred for labor, supplies, substitute machinery rental, or for any other reason. Repair or replacement parts are subject to the supply conditions at the time of repair or replacement, which may directly affect our ability to obtain material and/or replacements parts. CID, Inc. reserves the right to make improvements in design or changes in specifications at any time without incurring any obligations to owners of previously purchased units. No one but CID, Inc. is allowed to alter, modify or enlarge this warranty nor the exclusions, limitation and reservation at any time.



Warranty Service

Procedures for Obtaining Warranty Service

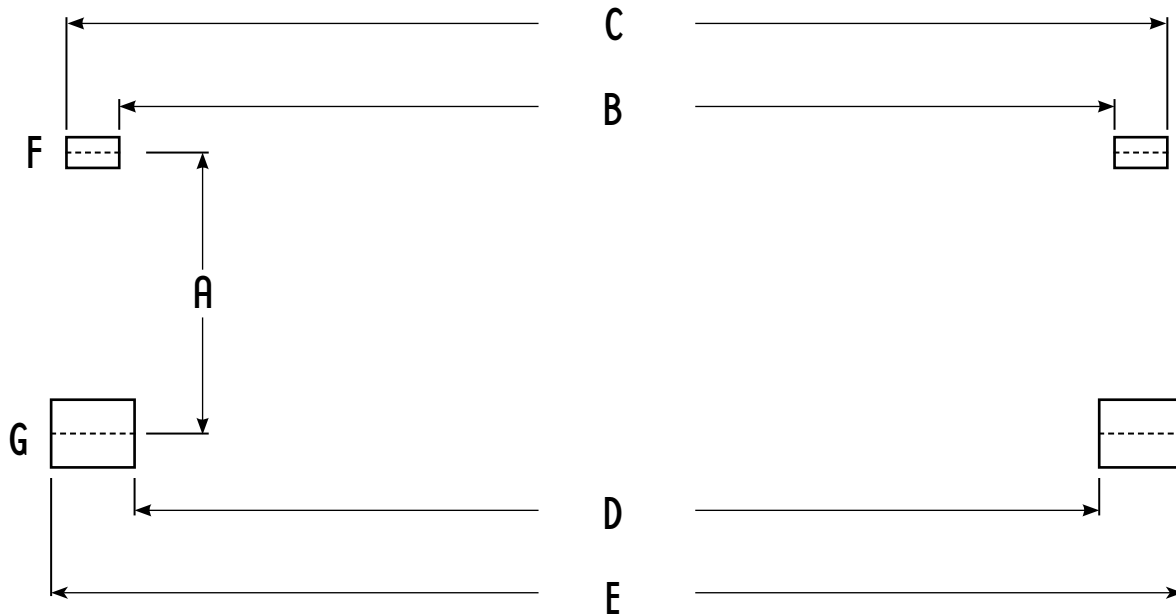
RGA (Returning Goods Authorization) Policy:

If repairs are required, CID must obtain a RGA number from the Manufacturer of the defective part and proof of purchase. RGA and services are rendered by CID only. Any responsibility of shipping costs on any item returned for repair is at the discretion of CID. All returned parts must have a RGA number written clearly on the outside of the package along with a Service Request Form and the defective part. No COD packages will be accepted. No package will be accepted without a RGA number written on the outside of the package. RGA numbers are only valid for 30 days from the date of issue. All replacement parts shipped out will need a PO# from the original CID customer. If the Defective part is rendered non-warranty the PO# will be invoiced for the replacement part.. Should you have any problems with your Attachments, please follow these procedures to obtain the service:

1. Call the Warranty Department (336) 859-2002 ext 215. Photo's serial and model #'s of the attachment and parts in question will need to be obtained with a description of the problem.
2. Upon a warranted issue Go to cidattachments.com, click on the warranty tab and fill in the warranty claim form. CID will retain a RGA# from the manufacturer of the defective part. If all information above is fulfilled the manufacturer will issue a RGA#
3. A PO# is required from the original CID customer. PO#'s will only be invoiced in the event that the defective part is un-warranted.
4. CID will ship a replacement part with a service request form and RGA #. There will be a call tag with the Manufactures address and instructions for returning the defective part.
5. Once the defective part is warranted by the manufacturer. CID will be issued a credit and the PO# will be void. If the manufacturer finds that the defective part is not warranted the PO# will be invoiced for the replacement part.
6. In the event that renders the attachment be returned to CID for repair, CID will make arrangements for pick up and return. Repairs will be performed by CID qualified technicians. Non-warranted issues will be discussed and repairs will be performed upon agreement of the owner, and payment for parts and labor will be issued.

PIN DIAGRAM

- _____ A = boom to cylinder pin (center to center dimension)
- _____ B = cylinder to cylinder (inside dimension)
- _____ C = cylinder to cylinder (outside dimension)
- _____ D = boom to boom (inside dimension)
- _____ E = boom to boom (outside dimension)
- _____ F = top pin diameter
- _____ G = bottom pin diameter



Machine make _____

Model _____



1248 N. Main Street • P.O. Box 1230 • Denton, N.C. 27239
 Phone: 336.859.2002 • Fax: 336.859.0800
 info@cidattachments.com • www.cidattachments.com

Bucket Capacity

1/1/2020

ALL VOLUMES ARE APPROXIMATIONS (volumes are struck volumes i.e. not heap volumes)

PG	SKU #	PRODUCT	volume (ft ³)	volume (yd ³)
BUCKETS				
4-N-1 BUCKETS				
16	CT4N1-48	COMPACT TRACTOR 4-N-1 BUCKET, 48"	6.74	0.25
16	CT4N1-54	COMPACT TRACTOR 4-N-1 BUCKET, 54"	7.59	0.28
16	CT4N1-60	COMPACT TRACTOR 4-N-1 BUCKET, 60"	8.43	0.31
16	SD4N1-60	SD 4-N-1 BUCKET, 60"	8.43	0.31
16	SD4N1-66	SD 4-N-1 BUCKET, 66"	11.84	0.44
16	SD4N1-72	SD 4-N-1 BUCKET, 72"	12.92	0.48
16	HD4N1-63	HD 4-N-1 BUCKET, 63"	11.30	0.42
16	HD4N1-66	HD 4-N-1 BUCKET, 66"	11.84	0.44
16	HD4N1-72	HD 4-N-1 BUCKET, 72"	12.92	0.48
16	HD4N1T-63	HD 4-N-1 BUCKET W/ TEETH, 63"	11.30	0.42
16	HD4N1T-66	HD 4-N-1 BUCKET W/ TEETH, 66"	11.84	0.44
16	HD4N1T-72	HD 4-N-1 BUCKET W/ TEETH, 72"	12.92	0.48
16	X4N1-72	X-TREME 4-N-1 BUCKET, 72"	16.98	0.63
16	X4N1-78	X-TREME 4-N-1 BUCKET, 78"	18.39	0.68
16	X4N1-81	X-TREME 4-N-1 BUCKET, 81"	19.10	0.71
16	X4N1-84	X-TREME 4-N-1 BUCKET, 84"	19.81	0.73
16	X4N1T-72	X-TREME 4-N-1 W/ TEETH, 72"	16.98	0.63
16	X4N1T-78	X-TREME 4-N-1 W/ TEETH, 78"	18.39	0.68
16	X4N1T-81	X-TREME 4-N-1 W/ TEETH, 81"	19.10	0.71
16	X4N1T-84	X-TREME 4-N-1 W/ TEETH, 84"	19.81	0.73
HIGH DUMP BUCKETS				
18	HDB72	HIGH DUMP BUCKET, 72"	25.86	0.96
18	HDB84	HIGH DUMP BUCKET, 84"	30.96	1.15
18	HDB96	HIGH DUMP BUCKET, 96"	36.07	1.34
LONG BOTTOM BUCKETS				
19	LBB63	LB BUCKET, 63"	14.42	0.53
15	LBB66	LB BUCKET, 66"	15.11	0.56



1248 N. Main Street • P.O. Box 1230 • Denton, N.C. 27239
 Phone: 336.859.2002 • Fax: 336.859.0800
 info@cidattachments.com • www.cidattachments.com

PG	SKU #	PRODUCT	volume (ft^3)	volume (yd^3)
19	LBB72	LB BUCKET, 72"	16.48	0.61
19	LBB78	LB BUCKET, 78"	17.86	0.66
19	LBB81	LB BUCKET, 81"	18.54	0.69
19	LBB84	LB BUCKET, 84"	19.23	0.71
19	LBB90	LB BUCKET, 90"	20.60	0.76
19	LBB96	LB BUCKET, 96"	21.98	0.81
19	LBBT63	LB BUCKET W/ TEETH, 63"	14.42	0.53
19	LBBT66	LB BUCKET W/ TEETH, 66"	15.11	0.56
19	LBBT72	LB BUCKET W/ TEETH, 72"	16.48	0.61
19	LBBT78	LB BUCKET W/ TEETH, 78"	17.86	0.66
19	LBBT81	LB BUCKET W/ TEETH, 81"	18.54	0.69
19	LBBT84	LB BUCKET W/ TEETH, 84"	19.23	0.71
19	LBBT90	LB BUCKET W/ TEETH, 90"	20.60	0.76
19	LBBT96	LB BUCKET W/ TEETH, 96"	21.98	0.81
		LOW PROFILE BUCKETS		
19	LPB60	LP BUCKET, 60"	11.41	0.42
19	LPB63	LP BUCKET, 63"	11.98	0.44
19	LPB66	LP BUCKET, 66"	12.55	0.46
19	LPB72	LP BUCKET, 72"	13.07	0.51
19	LPB78	LP BUCKET, 78"	14.84	0.55
19	LPB81	LP BUCKET, 81"	15.41	0.57
19	LPB84	LP BUCKET, 84"	15.98	0.59
19	LPB90	LP BUCKET, 90"	17.12	0.63
19	LPB96	LP BUCKET, 96"	18.26	0.68
19	LPBT60	LP BUCKET W/ TEETH, 60"	11.41	0.42
19	LPBT63	LP BUCKET W/ TEETH, 63"	11.98	0.44
19	LPBT66	LP BUCKET W/ TEETH, 66"	12.55	0.46
19	LPBT72	LP BUCKET W/ TEETH, 72"	13.07	0.51
19	LPBT78	LP BUCKET W/ TEETH, 78"	14.84	0.55
19	LPBT81	LP BUCKET W/ TEETH, 81"	15.41	0.57
19	LPBT84	LP BUCKET W/ TEETH, 84"	15.98	0.59



1248 N. Main Street • P.O. Box 1230 • Denton, N.C. 27239
 Phone: 336.859.2002 • Fax: 336.859.0800
 info@cidattachments.com • www.cidattachments.com

PG	SKU #	PRODUCT	volume (ft^3)	volume (yd^3)
19	LPBT90	LP BUCKET W/ TEETH, 90"	17.12	0.63
19	LPBT96	LP BUCKET W/ TEETH, 96"	18.26	0.68
		ROCK BUCKETS		
25	HDRB63	HEAVY DUTY ROCK BUCKET, 63"	11.87	0.44
25	HDRB66	HEAVY DUTY ROCK BUCKET, 66"	12.43	0.46
25	HDRB72	HEAVY DUTY ROCK BUCKET, 72"	13.56	0.50
25	HDRB78	HEAVY DUTY ROCK BUCKET, 78"	14.69	0.55
25	HDRB81	HEAVY DUTY ROCK BUCKET, 81"	15.26	0.57
25	HDRBT63	HEAVY DUTY ROCK BUCKET W/ TEETH, 63"	11.87	0.44
25	HDRBT66	HEAVY DUTY ROCK BUCKET W/ TEETH, 66"	12.43	0.46
25	HDRBT72	HEAVY DUTY ROCK BUCKET W/ TEETH, 72"	13.56	0.50
25	HDRBT78	HEAVY DUTY ROCK BUCKET W/ TEETH, 78"	14.69	0.54
25	HDRBT81	HEAVY DUTY ROCK BUCKET W/ TEETH, 81"	15.26	0.57
26	XDRB66	X-TREME DUTY ROCK BUCKET, 66"	16.85	0.62
26	XDRB72	X-TREME DUTY ROCK BUCKET, 72"	19.42	0.72
26	XDRB78	X-TREME DUTY ROCK BUCKET, 78"	21.04	0.78
26	XDRB81	X-TREME DUTY ROCK BUCKET, 81"	21.85	0.81
26	XDRB84	X-TREME DUTY ROCK BUCKET, 84"	22.66	0.84
		SNOW-N-LITTER BUCKETS		
20	SNLB63	SNOW-N-LITTER BUCKET, 63"	20.66	0.77
20	SNLB66	SNOW-N-LITTER BUCKET, 66"	21.64	0.80
20	SNLB72	SNOW-N-LITTER BUCKET, 72"	23.61	0.87
20	SNLB78	SNOW-N-LITTER BUCKET, 78"	25.59	0.95
20	SNLB81	SNOW-N-LITTER BUCKET, 81"	26.57	0.98
20	SNLB84	SNOW-N-LITTER BUCKET, 84"	27.56	1.02
20	SNLB90	SNOW-N-LITTER BUCKET, 90"	29.53	1.09
20	SNLB96	SNOW-N-LITTER BUCKET, 96"	31.50	1.17
20	SNLB108	SNOW-N-LITTER BUCKET, 108"	35.45	1.31
		HIGH CAPACITY SNOW BUCKETS		
21	HCSB72	HIGH CAPACITY SNOW BUCKET, 72"	28.48	1.05
21	HCSB78	HIGH CAPACITY SNOW BUCKET, 78"	30.90	1.14
21	HCSB84	HIGH CAPACITY SNOW BUCKET, 84"	33.32	1.23



1248 N. Main Street • P.O. Box 1230 • Denton, N.C. 27239
 Phone: 336.859.2002 • Fax: 336.859.0800
 info@cidattachments.com • www.cidattachments.com

PG	SKU #	PRODUCT	volume (ft^3)	volume (yd^3)
21	HCSB96	HIGH CAPACITY SNOW BUCKET, 96	38.16	1.41
21	HCSB102	HIGH CAPACITY SNOW BUCKET, 102"	40.58	1.50
21	HCSB108	HIGH CAPACITY SNOW BUCKET, 108"	43.00	1.59
21	HCSB120	HIGH CAPACITY SNOW BUCKET, 120"	47.84	1.77
		TRACK LOADER BUCKETS		
22	TAKB72	X-TREME TRACK LOADER BUCKET, 72"	18.16	0.67
22	TAKB78	X-TREME TRACK LOADER BUCKET, 78"	19.67	0.73
22	TAKB81	X-TREME TRACK LOADER BUCKET, 81"	20.43	0.76
22	TAKB84	X-TREME TRACK LOADER BUCKET, 84"	21.19	0.78
22	TAKB90	X-TREME TRACK LOADER BUCKET, 90"	20.49	0.76
22	TAKB96	X-TREME TRACK LOADER BUCKET, 96"	21.86	0.81
22	ITAKB72	INDUSTRIAL TRACK LOADER BUCKET, 72"	16.54	0.61
22	ITAKB78	INDUSTRIAL TRACK LOADER BUCKET, 78"	17.92	0.66
22	ITAKB81	INDUSTRIAL TRACK LOADER BUCKET, 81"	18.61	0.69
22	ITAKB84	INDUSTRIAL TRACK LOADER BUCKET, 84"	19.30	0.71
22	ITAKB90	INDUSTRIAL TRACK LOADER BUCKET, 90"	20.68	0.77
22	ITAKB96	INDUSTRIAL TRACK LOADER BUCKET, 96"	22.05	0.82
		TRACTOR BUCKETS		
23	CTRAC60	COMPACT TRACTOR BUCKET, 60"	15.13	0.56
23	CTRAC63	COMPACT TRACTOR BUCKET, 63"	15.89	0.59
23	CTRAC66	COMPACT TRACTOR BUCKET, 66"	16.65	0.62
23	CTRAC72	COMPACT TRACTOR BUCKET, 72"	18.16	0.67
23	TRAC63	HEAVY DUTY TRACTOR BUCKET, 63"	15.89	0.59
23	TRAC66	HEAVY DUTY TRACTOR BUCKET, 66"	16.65	0.62
23	TRAC72	HEAVY DUTY TRACTOR BUCKET, 72"	18.16	0.67
23	TRAC78	HEAVY DUTY TRACTOR BUCKET, 78"	19.67	0.73
23	TRAC81	HEAVY DUTY TRACTOR BUCKET, 81"	20.43	0.76
23	TRAC84	HEAVY DUTY TRACTOR BUCKET, 84"	21.19	0.78
24	XTRAC72	X-TREME TRACTOR BUCKET, 72"	21.65	0.80
24	XTRAC84	X-TREME TRACTOR BUCKET, 84"	25.26	0.94
24	XTRAC96	X-TREME TRACTOR BUCKET, 96"	28.17	1.07



1248 N. Main Street • P.O. Box 1230 • Denton, N.C. 27239
 Phone: 336.859.2002 • Fax: 336.859.0800
 info@cidattachments.com • www.cidattachments.com

PG	SKU #	PRODUCT	volume (ft^3)	volume (yd^3)
24	XTRAC108	X-TREME TRACTOR BUCKET, 108"	32.48	1.20
		TURKEY LITTER BUCKETS		
20	TLB78	TURKEY LITTER BUCKET, 78"	48.30	1.79
20	TLB84	TURKEY LITTER BUCKET, 84"	52.02	1.93
20	TLB96	TURKEY LITTER BUCKET, 96"	59.47	2.20
20	TLB108	TURKEY LITTER BUCKET, 108"	66.91	2.48
		MINI BUCKETS		
	DLPB44	DINGO LOW PROFILE BUCKET, 44"	5.95	.2
	DSNLB44	DINGO SNOW AND LITTER BUCKET, 44"	8.38	.31
	DSNLB48	DINGO SNOW AND LITTER BUCKET, 48"	9.16	.34
	MTSNL48	MT SNOW AND LITTER BUCKET, 48"	9.16	.34

