

JESSE RAST ENTERPRISES

If you need your equipment **FAST** stick with the **RAST!**

Independent Distributor
CATALOGUE



MANDAKO

About Us

Rast Family Farms have been in operation since 1889, harvesting generations of appreciation for hard work, honesty, and dependability. Southern living at it's finest, and hardest of times. Through it all – we pull together, for the love of God, Family, Land, and Selflessness.

Jesse Rast Enterprises has taken the family values from decades of farming, planting the seed for a better way to procure farm and agricultural equipment by eliminating “the man”, speeding up delivery, and doing what’s right. Family is special and we choose to specialize in farm and agricultural equipment.

Unlike traditional distribution, Jesse Rast Enterprises runs the equipment that is available in our portfolio.

Farm life is not transactional, and you will feel the difference in honest guidance and feedback by becoming a part of the Jesse Rast Enterprises family.

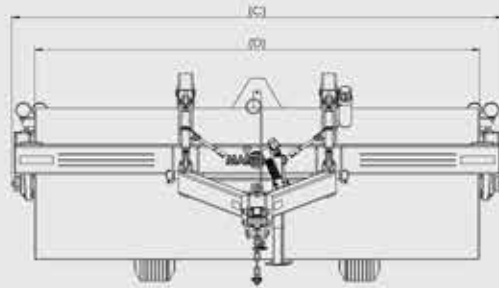
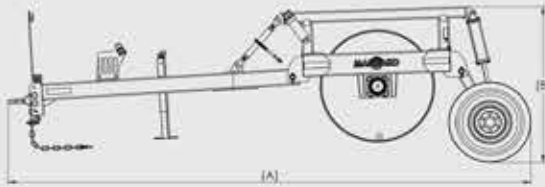


The logo for MANDAKO features the word "MANDAKO" in a bold, black, sans-serif font with a yellow outline. The letters are centered over a yellow circular graphic that consists of numerous thin, vertical lines radiating from the center, creating a sunburst or globe-like effect.

MANDAKO

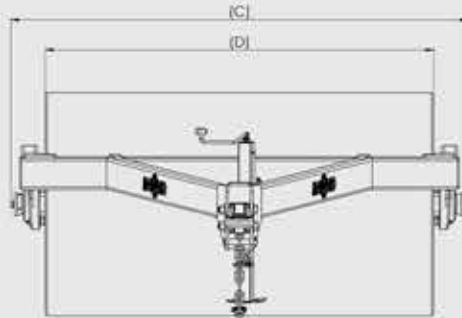
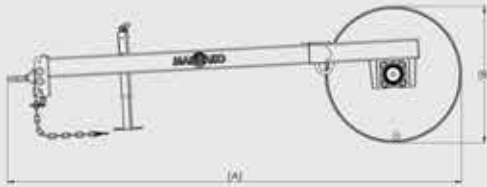
JESSE RAST ENTERPRISES

MINI LAND ROLLER SPECIFICATIONS



Dimension	Unit Size					
	6'	8'	10'	12'	15'	20'
Transport Length (A)	15'-11"	15'-11"	15'-11"	15'-11"	15'-11"	15'-11"
Overall Height (B)	5'	5'	5'	5'	5'	5'
Overall Width (C)	7'-2"	9'-2"	11'-1"	13'-1"	16'-1"	21'-1"
Working Width (D)	6'-1"	8'-1"	10'-1"	12'-1"	15'-1"	20'-1"
Hyd. Req. (@2800PSI)	5 GPM (19 LPM)	5 GPM (19 LPM)	5 GPM (19 LPM)	5 GPM (19 LPM)	5 GPM (19 LPM)	5 GPM (19 LPM)
Hyd. Req. (Ports)	1	1	1	1	1	1
Horsepower Req.	24+	32+	40+	48+	60+	80+
Approx. Weight (lbs/ft) 42" x 3/4" Drum	725	640	585	550	515	480
Drum Size	36" x 1/2" W 42" x 5/8" W 42" x 3/4" W					
Tire Size	ST235/80R16E 10 Ply	ST235/80R16E 10 Ply	ST235/80R16E 10 Ply	ST235/80R16E 10 Ply	ST235/80R16E 10 Ply	ST235/80R16E 10 Ply

SINGLE LAND ROLLER SPECIFICATIONS



Dimension	Unit Size						
	4'	6'	8'	10'	12'	15'	20'
Transport Length (A)	11'-8"	11'-8"	11'-8"	11'-8"	11'-8"	11'-8"	11'-8"
Overall Height (B)	3' / 3'-6"	3' / 3'-6"	3' / 3'-6"	3' / 3'-6"	3' / 3'-6"	3' / 3'-6"	3' / 3'-6"
Overall Width (C)	5'-2"	7'-2"	9'-2"	11'-1"	13'-1"	16'-1"	21'-1"
Working Width (D)	4'-1"	6'-1"	8'-1"	10'-1"	12'-1"	15'-1"	20'-1"
Horsepower Req.	24+	24+	32+	40+	48+	60+	80+
Approx. Weight (lbs/ft) 42" x 3/4" Drum	540	490	455	445	430	410	395
Drum Size	36" x 1/2" W 42" x 5/8" W 42" x 3/4" W						

LANDROLLER
MINI / SINGLE

MANDAKO

SOLID DESIGN...PROVEN PERFORMANCE





MANDAKO

LANDROLLER



SINGLE
WITHOUT TRANSPORT

MINI
WITH TRANSPORT

COMMON APPLICATIONS FOR USING A LANDROLLER

- Increase Soil-to-Seed Contact (more consistent germination)
- Reduce repairs on your equipment by simply pushing rocks into the ground
- Increase crop yields – studies show an increase of approximately 3 bu/acre when rolling soybeans in the V1/V2 stage
- Crush corn stalks for faster decomposition
- Alfalfa Fields / Pasture Land / Horse Paddocks / Acreages – smooth out ruts and rocks
- Airports – help keep grass runways smooth

FEATURES:

- 8" x 4" x 3/8" Frame Tubing
- 6" x 4" x 3/8" Hitch Tubing
- 3" Drum Shaft & HD Bearing
- 42" x 5/8" Diameter Drum (0.625")
- 10-Ply Tires (ST235/80R16E - Mini Only)
- LED Lights (Mini Only)
- Ability to add water for increased weight
- Replaceable 2" Wheel Shaft w/ 6-Bolt Hub
- Hydra-Grip Handles (Mini Only)

OPTIONS:

- Clevis Hitch Insert
- Mechanical Acre Counter
- 42" x 3/4" HD Drum Option
- 36" x 1/2" Roller Drum Option
- Mud Scraper Kit (Mini Only)
- Dual Tires (Mini Only)
- Available in Mandako Green or Black



Drum has 3" shaft and bearing. Shaft extends into the drum and is supported with a 1/2" plate.



Clevis Hitch Insert



Mechanical Acre Counter



3" HD Drum Shaft/Bearing



Color Coded Hydraulic Handles (Mini Only)



LED Light Kit (Mini Only)



Dual Wheel (Optional - Mini Only)

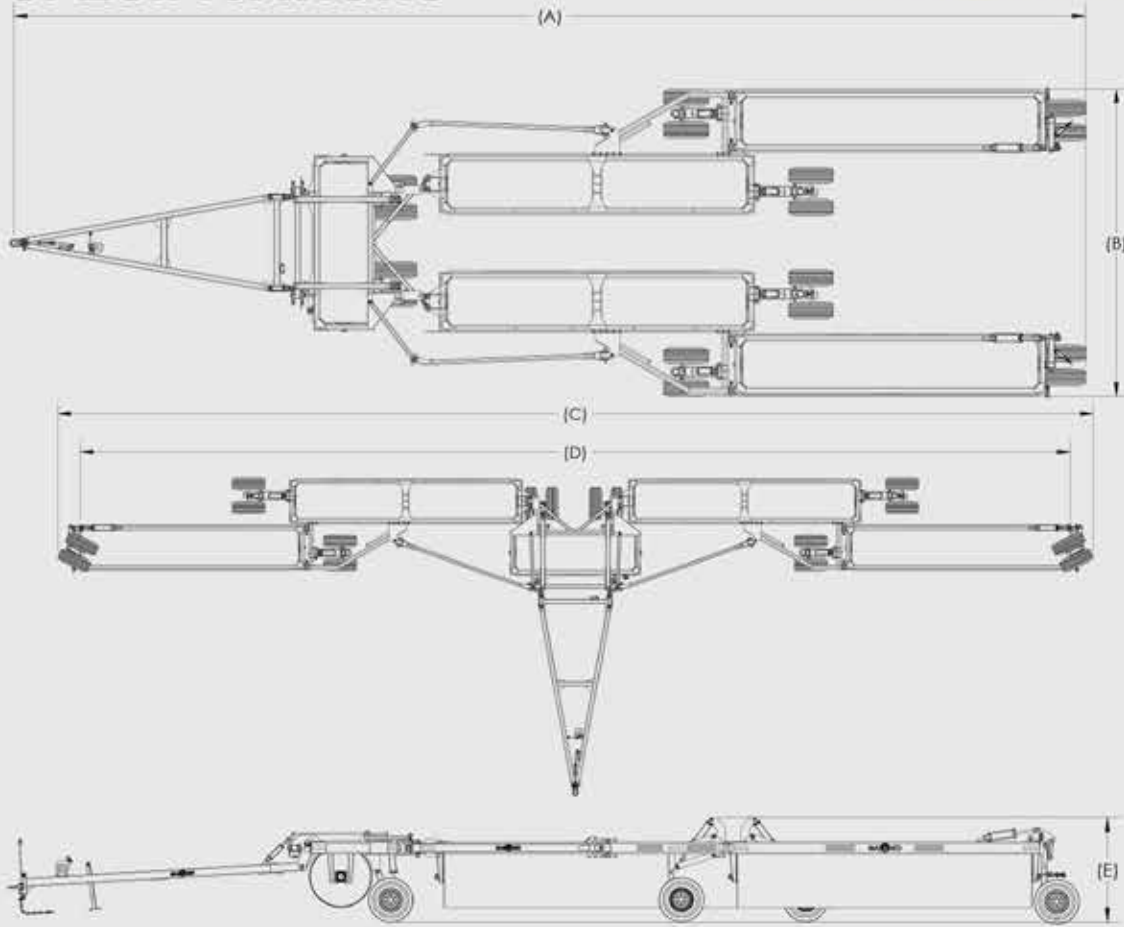
5-PLEX LAND ROLLER SPECIFICATIONS

MANDAKO

LANDROLLER
5-PLEX

MANDAKO

SOLID DESIGN...PROVEN PERFORMANCE



Dimension	Unit Size					
	62'	65'	70'	75'	80'	85'
Transport Length (A)	54'-2"	55'-6"	58'	60'-6"	63'	65'-6"
Transport Width (B)	15'-6"	15'-6"	15'-6"	15'-6"	15'-6"	15'-6"
Overall Width (C)	65'-6"	68'-6"	73'-6"	78'-6"	83'-6"	88'-6"
Working Width (D)	62'	65'	70'	75'	80'	85'
Overall Height (E)	5'-10"	5'-10"	5'-10"	5'-10"	5'-10"	5'-10"
Hyd. Req. (@2800PSI)	5 GPM (19 LPM)	5 GPM (19 LPM)	5 GPM (19 LPM)	5 GPM (19 LPM)	5 GPM (19 LPM)	5 GPM (19 LPM)
Hyd. Req. (Ports)	4	4	4	4	4	4
Horsepower Req.	310+	352+	350+	375+	400+	425+
Approx. Weight (lbs/ft)	556	545	530	517	490	487
Drum Size	42" x 5/8"	42" x 5/8"	42" x 5/8"	42" x 5/8"	42" x 5/8"	42" x 5/8"
Tire Size	ST235/80R16E 10 Ply	ST235/80R16E 10 Ply	ST235/80R16E 10 Ply	ST235/80R16E 10 Ply	ST235/80R16E 10 Ply	ST235/80R16E 10 Ply



WHY USE A MANDAKO

LANDROLLER?

What initially started as a rock roller has evolved into a multi-use tool that's now considered a valuable farm asset. Landrollers smooth the field surface by pushing down rocks and debris, allowing the cutter bar to operate effectively and reduce the risk of rock damage. Create better germination with optimal soil-to-seed contact. Increase yields on your farm with a Mandako Landroller!

SEEDING - Rolling the field pre-plant creates an even seed bed for today's high-precision planters and air seeders. Consistent depth control is now a reality. Landrollers create better germination with optimal soil-to-seed contact for cereals and pulses. Pulse crop growers consistently find a 1-4 bushel per acre yield increase on rolled fields.

SPRAYING - Reduce the wear and tear on your sprayer and other equipment with smoother fields.

HARVESTING - Keep sickle bar knives and guards from premature wear by keeping them out of the dirt. Avoid time-consuming and expensive repairs to your combine by keeping rocks out. Harvesting lodged crops becomes easier (and less stressful) knowing the field was rolled after planting.

TILLAGE - Using a Landroller on corn stalks after harvest crushes the stalks enabling them to decompose faster. Reduce the chance of causing damage to your tires or tracks by flattening the stalks.

HAY/FORAGE - Using a Landroller in the spring can smooth out your field and help level rodent mounds.

Sizes

5-Plex Landrollers are offered in the following configurations:

62', 65', 70', 75', 80', & 85'

*Custom Sizes are available.

Standard Features

- Dual Hydraulic Rear Wheel Steer
- Hydraulic Floating Hitch
- 42" x 0.625" (5/8") Drum
- 3" Drum Shaft With 3" HD Bearing
- 8" x 4" x 3/8" Frame Tubing
- Ductile Cast Knuckles
- Easy Hookup With Colour Coded Hydraulic Handles
- Steel Reinforced Corners
- LED Light Kits
- 1-1/2" Knuckle Pins
- 235/80/R16 10-Ply Highway Tire
- Category 3 Pintle Hitch
- Hydraulic Wing Lock
- 2" - 3" Drum Overlap
- Colour: Mandako Green or Black

Optional Upgrades

- Mechanical Acre Counter
- Mud Scraper Kit



Color Coded Hydraulic Handles



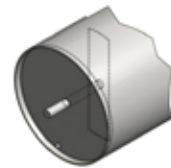
Hydraulic Wing Lock



Hydraulic Floating Hitch



Ductile Cast Knuckle



3" Shaft Extends Inside Drum With Support Plate

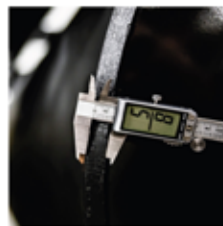
Flexible Frame



Dual Steer Axle



42" Diameter x 0.625" Drum Wall



Castor Axle In Locked Position



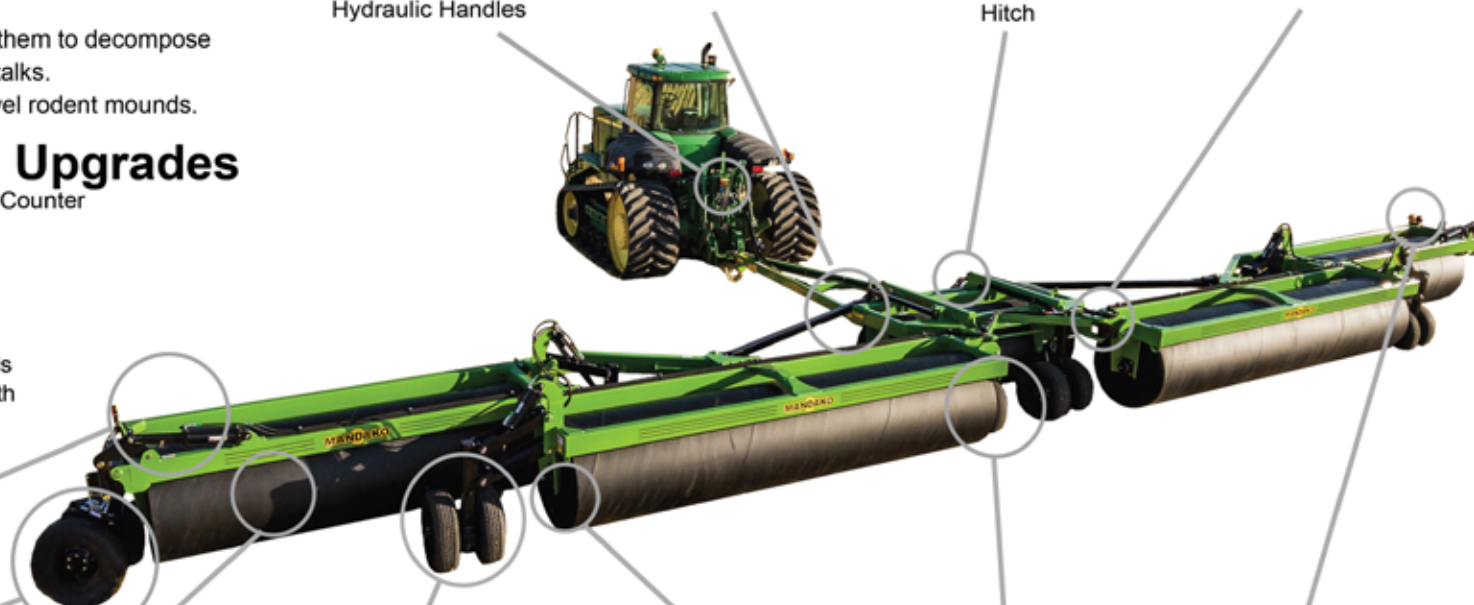
3" HD Drum Shaft/Bearing



Mechanical Acre Counter (OPTIONAL)

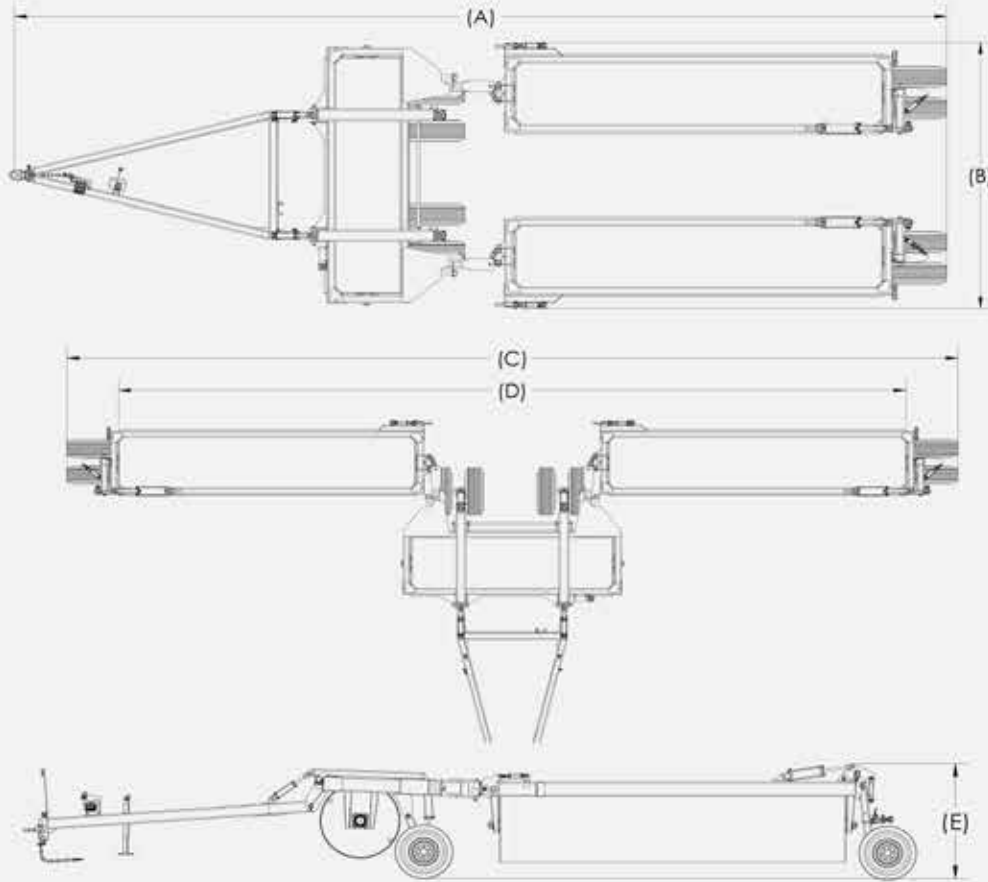


LED Light Kit (ASABE COMPLIANT)



3-PLEX LAND ROLLER SPECIFICATIONS

MANDAKO



Dimension	Unit Size					
	30'	34'	40'	42'	45'	50'
Transport Length (A)	34'	36'	39'	40'	41'-6"	44'
Transport Width (B)	11'-7"	11'-7"	11'-7"	11'-7"	11'-7"	11'-7"
Overall Width (C)	33'-6"	37'-6"	43'-6"	46'-6"	48'-6"	53'-6"
Working Width (D)	30'	34'	40'	42'	45'	50'
Overall Height (E)	5'-5"	5'-5"	5'-5"	5'-5"	5'-5"	5'-5"
Hyd. Req. (@2800PSI)	5 GPM (19 LPM)	5 GPM (19 LPM)	5 GPM (19 LPM)	5 GPM (19 LPM)	5 GPM (19 LPM)	5 GPM (19 LPM)
Hyd. Req. (Ports)	3	3	3	3	3	3
Horsepower Req.	120+	136+	160+	168+	180+	200+
Approx. Weight (lbs/ft) 42" x 5/8" Drum	530	607	495	488	469	465
Drum Size	36" x 1/2" W 42" x 5/8" W 42" x 3/4" W					
Tire Size	ST235/80R16E 10 Ply	ST235/80R16E 10 Ply	ST235/80R16E 10 Ply	ST235/80R16E 10 Ply	ST235/80R16E 10 Ply	ST235/80R16E 10 Ply

LANDROLLER
3-PLEX

MANDAKO

SOLID DESIGN...PROVEN PERFORMANCE





WHY USE A MANDAKO LANDROLLER?

What initially started as a rock roller has evolved into a multi-use tool that's now considered a valuable farm asset. Landrollers smooth the field surface by pushing down rocks and debris, allowing the cutter bar to operate effectively and reduce the risk of rock damage. Create better germination with optimal soil-to-seed contact. Increase yields on your farm with a Mandako Landroller!

SEEDING - Rolling the field pre-plant creates an even seed bed for today's high-precision planters and air seeders. Consistent depth control is now a reality. Landrollers create better germination with optimal soil-to-seed contact for cereals and pulses. Pulse crop growers consistently find a 1-4 bushel per acre yield increase on rolled fields.

SPRAYING - Reduce the wear and tear on your sprayer and other equipment with smoother fields.

HARVESTING - Keep sickle bar knives and guards from premature wear by keeping them out of the dirt. Avoid time-consuming and expensive repairs to your combine by keeping rocks out. Harvesting lodged crops becomes easier (and less stressful) knowing the field was rolled after planting.

TILLAGE - Using a Landroller on corn stalks after harvest crushes the stalks enabling them to decompose faster. Reduce the chance of causing damage to your tires or tracks by flattening the stalks.

HAY/FORAGE - Using a Landroller in the spring can smooth out your field and help level rodent mounds.

Sizes

3-Plex Landrollers are offered in the following configurations:

30', 34', 40', 42', 45', 50', & 60'

*Custom Sizes are available.

Standard Features

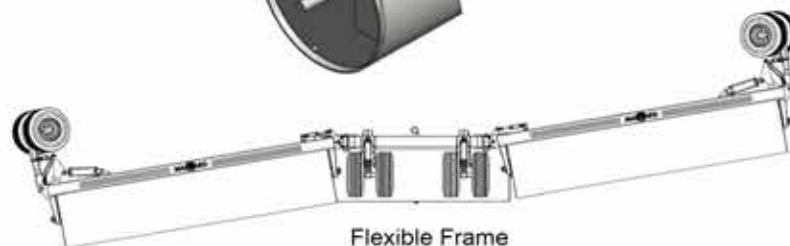
- Dual Hydraulic Rear Wheel Steer
- Hydraulic Floating Hitch
- 42" x 0.625" (5/8") Drum (Optional 42" x 3/4")
- 3" Drum Shaft With 3" HD Bearing
- 8" x 4" x 3/8" Frame Tubing
- Ductile Cast Knuckles
- Easy Hookup With Colour Coded Hydraulic Handles
- Steel Reinforced Corners
- LED Light Kits
- 1-1/2" Knuckle Pins
- 235/80/R16 10-Ply Highway Tire
- Category 3 Pintle Hitch
- Fillable Drums (add water for increased weight)
- Hydraulic Wing Lock
- 2" - 3" Drum Overlap
- Colour: Mandako Green or Black

Optional Upgrades

- 280/70/R15 Implement Tire (10-Ply)
- Clevis Hitch Insert
- Mechanical Acre Counter
- Mud Scraper Kit



3" Shaft Extends Inside Drum With Support Plate



Flexible Frame



Dual Steer Axle



Mechanical Acre Counter (OPTIONAL)



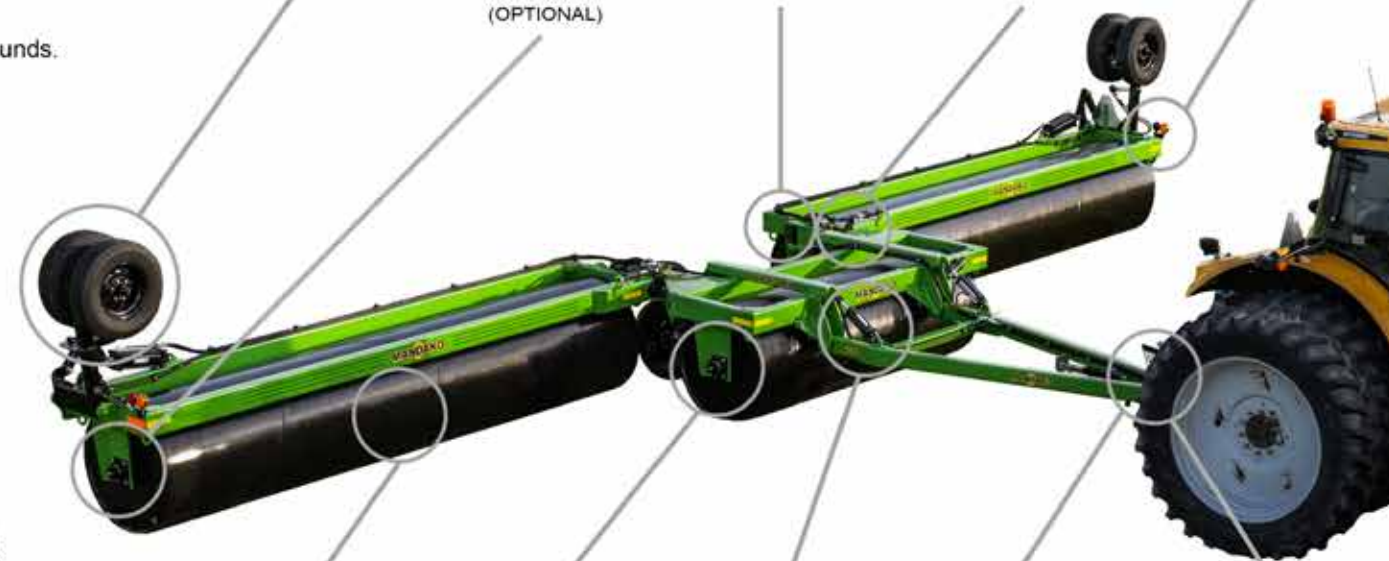
Ductile Cast Knuckle



Hydraulic Wing Lock



LED Light Kit



42" Diameter x 0.625" Drum Wall



3" HD Drum Shaft/Bearing



Hydraulic Floating Hitch



Color Coded Hydraulic Handles



Clevis Hitch Insert (OPTIONAL)





COVER CROP CRIMPER



Cover Crop Crimper

The Cover Crop Crimper is an easy and effective choice in a variety of conditions. Whether it's chopping up corn stalks, breaking down canola stubble, or gently incorporating cover crop, the Cover Crop Crimper gets the job done.

The Crimper is built on the foundation of our PROVEN land roller design. From our legendary SMOOTH DRUM rollers, to the STUBBLE CRUNCHER, to the CRIMPER, you have the option of using the same frame for THREE different applications.

Benefits

Cover Crop Rollers are used to knock down various types of cover crop and create a weed suppressing mat. Organic farmers can manage their cover crop without the use of herbicide or tillage. Operators have reported that the ideal time to crimp is when the plant is pollinating. Cover crops also help minimize soil erosion and increase water retention. The Mandako Crop Crimper uses a chevron style pattern which allows the machine to run smoother across the ground and kicks up less dirt when operating.



Optional Accessories

Mechanical Acre Counter
Clevis Hitch Insert

Available Sizes

Mini:	8'	10'	12'	15'
Inline:	10'	13'	15'	20'
3 Section:	30'	34'	40'	

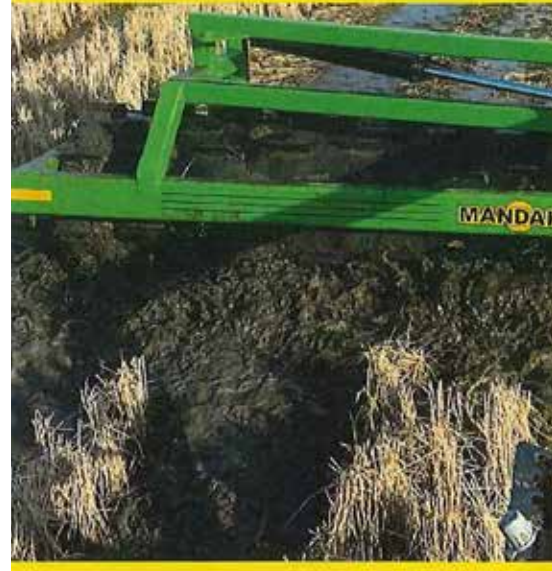


SPECIFICATIONS

Bar Size	3" x 3/8" - Grade 50
Bar Spacing	7"
Drum Diameter	36" x 1/2"
Bearing Size	3"
Hub Size	6-Bolt (Mini) 8-Bolt (Inline) 6-Bolt (3-Plex)
Frame Tubing	8" x 4" x 3/8"
Tire Size	ST235/85/R16 14 Ply (Inline) ST235/80R/R16 10-Ply (3-Plex)
Transport Width	Unit Size + 12" (Mini) 7'-7" (Inline)

MANDAKO

RICE STUBBLE ROLLER



NARROW TRANSPORT

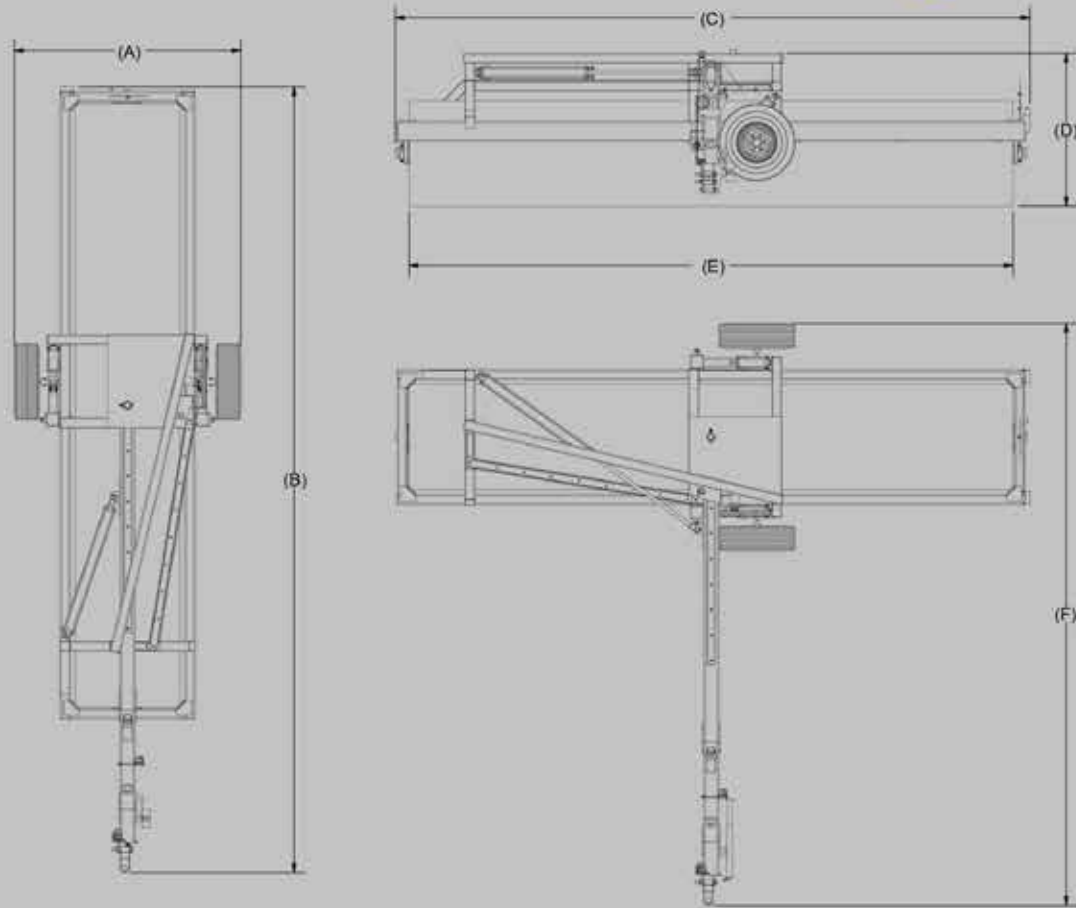


The Mandako RICE STUBBLE ROLLER is designed to safely and efficiently transport the unit from field to field. The pivoting INLINE design keeps the unit ARROW in transport while maintaining a rigid and effective working width.

SPECIFICATIONS	
Working Width	20'
Bar Size	6" x 3" x 1/2" - Grade 50
Cleat Spacing	7" (spiral pattern)
Drum Diameter	36" x 1/2"
Bearing & Shaft Size	3"
Frame Tubing	8" x 4" x 3/8"
Transport Width	7'-7" (Inline)
Approx. Weight (per foot)	530 LBS
Safety Chain	Standard
Light Package	LED
Hub Size	8-Bolt (Inline)
Tire Size: Inline (2)	ST235/85/R16 - 14 Ply
Jack	7,000 LB (Topwind)
Recommended HP Req	10+ HP/FT

INLINE LAND ROLLER SPECIFICATIONS

MANDAKO



Dimension	Unit Size			
	10'	13'	15'	20'
Transport Width (A)	7'-7"	7'-7"	7'-7"	7'-7"
Transport Length (B)	15'-3"	18'-3"	22'-8"	26'-2"
Overall Width (C)	11'-1"	14'-1"	16'-7"	21'-1"
Overall Height (D)	5'-1"	5'-1"	5'-1"	5'-1"
Working Width (E)	10'-1"	13'-1"	15'-7"	20'-1"
Working Length (F)	15'	15'	18'-2"	19'-4"
Hyd. Req. (@2800PSI)	5 GPM (19 LPM)	5 GPM (19 LPM)	5 GPM (19 LPM)	5 GPM (19 LPM)
Hyd. Req. (Ports)	2	2	2	2
Horsepower Req.	60+	60+	70+	80+
Approx. Weight (lbs/ft) 42" x 5/8"W Drum	675	650	600	525
Drum Size	36" x 1/2" 42" x 5/8" 42" x 3/4"			
Tire Size	ST235/85R16E 14 Ply	ST235/85R16E 14 Ply	ST235/85R16E 14 Ply	ST235/85R16E 14 Ply

LANDROLLER
INLINE

MANDAKO

SOLID DESIGN...PROVEN PERFORMANCE



MANDAKO INLINE LANDROLLER

COMMON APPLICATIONS FOR USING A LANDROLLER

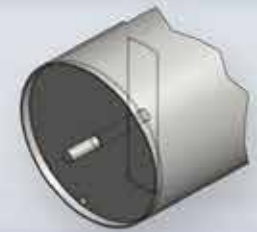
- Increase Soil-to-Seed Contact (more consistent germination)
- Reduce repairs on your equipment by simply pushing rocks into the ground
- Increase crop yields – studies show an increase of approximately 3 bu/acre when rolling soybeans in the V1/V2 stage
- Crush corn stalks for faster decomposition
- Alfalfa Fields / Pasture Land / Horse Paddocks / Acreages – smooth out ruts and rocks
- Airports – help keep grass runways smooth

Features:

- 8" x 4" x 3/8" Frame Tubing
- 6" x 6" x 1/2" Hitch Tubing
- 3" Drum Shaft & HD Bearing
- 42" x 5/8" Diameter Drum (0.625")
- 14-Ply Tires (ST235/85R16E)
- Hydra-Grip Handles
- LED Lights
- Ability to add water for increased weight
- Transport Safety Lock
- Replaceable 2-1/2" Wheel Shaft w/ 8-Bolt Hub
- Narrow transport width (under 8')

Options:

- Clevis Hitch Insert
- Mechanical Acre Counter
- 42" x 3/4" HD Drum Option
- 36" x 1/2" Roller Drum Option
- Mud Scraper Kit
- Available in Mandako Green or Black



Drum has 3" shaft and bearing. Shaft extends into the drum and is supported with a 1/2" plate.



TRANSPORT MODE



CONVERTING



FIELD MODE



Clevis Hitch Insert



LED Light Kit



3" HD Drum Shaft/Bearing



Color Coded Hydraulic Handles



Mechanical Acre Counter



Transport Safety Lock



PULL TYPE SWATH ROLLER



Why Use a Swath Roller?

Just a little wind can do a lot of damage to your crop. By using our corrosion proof polyethylene Swath Roller, you can minimize the damage. The roller flattens the swath, giving it a well-rounded shape. The tapered ends of the drum press the sides of the swath firmly into the stubble, so wind cannot get underneath. The even swath will also make for fast and easy combining.

AXLE MOUNT SWATH ROLLER



- 8' & 10' working widths
- Cable or electric lift system
- U-bolted to rear axle
- Easy height adjustment
- Storage & transport out of the way
- Standard mounting brackets
- Optional substandard brackets available
- 8' drum is 1 piece
- 10' drum is 2 interlocking pieces with reinforced center
- 8' weight: 350 lbs.
- 10' weight: 400 lbs.
- Outside edge diameter: 32"
- Center edge diameter: 22"
- One year parts warranty



STORM TILLAGE



No two fields are the same. Each year mother nature dishes out some challenging field conditions to you...so why not fight back with a **STORM of your own!**

EURO Model: Available in 13' & 20'



3-Section Model: Available in 27', 33', & 40'





STORM



STORM



FEATURES:

- Heavy Duty Trip Assembly with Coil Spring (2 blades per trip)
- Independent Coulter Hubs with Triple Lip Seal
- 0° - 14° Adjustable Toolbar Angle (on-the-go)
- 10" Blade Spacing (5" effective cut)
- Working weight of approximately 800 LBS/FT
- 6" x 6" x 0.500W Heavy Duty Frame Tubing
- Hydraulic Baskets (Flat Bar) - *Optional*
- 2-Row Tine Harrow (0.5" x 27.25") - *Optional*
- Single Point Depth Control
- 20" 13W Ingersol **OR** 20" Concave Coulter
- Foldable Hitch - Utilize a Smaller Footprint Inside Shed
- Available in Green, Black, or Red



0° - 14°
10" Spacing

	13' Euro	20' Euro	27'	33'	40'
Hydraulic Requirements (Ports)	3 or 4	3 or 4	3 or 4	3 or 4	3 or 4
Hydraulic Requirements (PSI)	3000	3000	3000	3000	3000
Horsepower Requirements (hp/ft)	10 - 18	10 - 18	10 - 18	10 - 18	10 - 18
Overall Weight LBS (Estimated)	10,400	16,000	21,600	26,400	32,000
Working Width	13'-4"	20'-3"	26'-7"	33'-6"	40'
Transport Width	9'-7"	11'-2"	14'	14'	20'-11"
Transport Height	9'-9"	12'-9"	11'-5"	14'-4"	14'-4"
Hydraulic Angle Adjustment	0° - 14°	0° - 14°	0° - 14°	0° - 14°	0° - 14°
Blade Spacing	10"	10"	10"	10"	10"
Effective Cut Spacing	5"	5"	5"	5"	5"
Coulter Blades per Machine	33	49	65	81	97
Frame Sections	2	2	3	3	3
Coulter Blade Options	13W or Concave	13W or Concave	13W or Concave	13W or Concave	13W or Concave
Tire Specifications	320/70R15 (4)	320/70R15 (4)	440/55R18 (4) 320/70R15 (4)	440/55R18 (4) 320/70R15 (4)	440/55R18 (4) 320/70R15 (4)
Wheel Hubs	6 Bolt	8 Bolt	8 and 10 Bolt	8 and 10 Bolt	8 and 10 Bolt
Basket Options	Flat Bar	Flat Bar	Flat Bar	Flat Bar	Flat Bar



CHISEL FLEX

Mandako's Chisel Flex

Not all fields are created equal. Mandako's Chisel Flex™ has been designed to work in various ground conditions. Multiple flex points allow the machine to follow the contour of the ground with unmatched precision.

650lb Trip Specs

BUILT TO LAST

Today's farmers expect longevity and durability from the equipment that they own. Mandako's Chisel Flex frames are built to last using 1/4" wall tubing in most areas and upgrading to 3/8" in strategic locations.

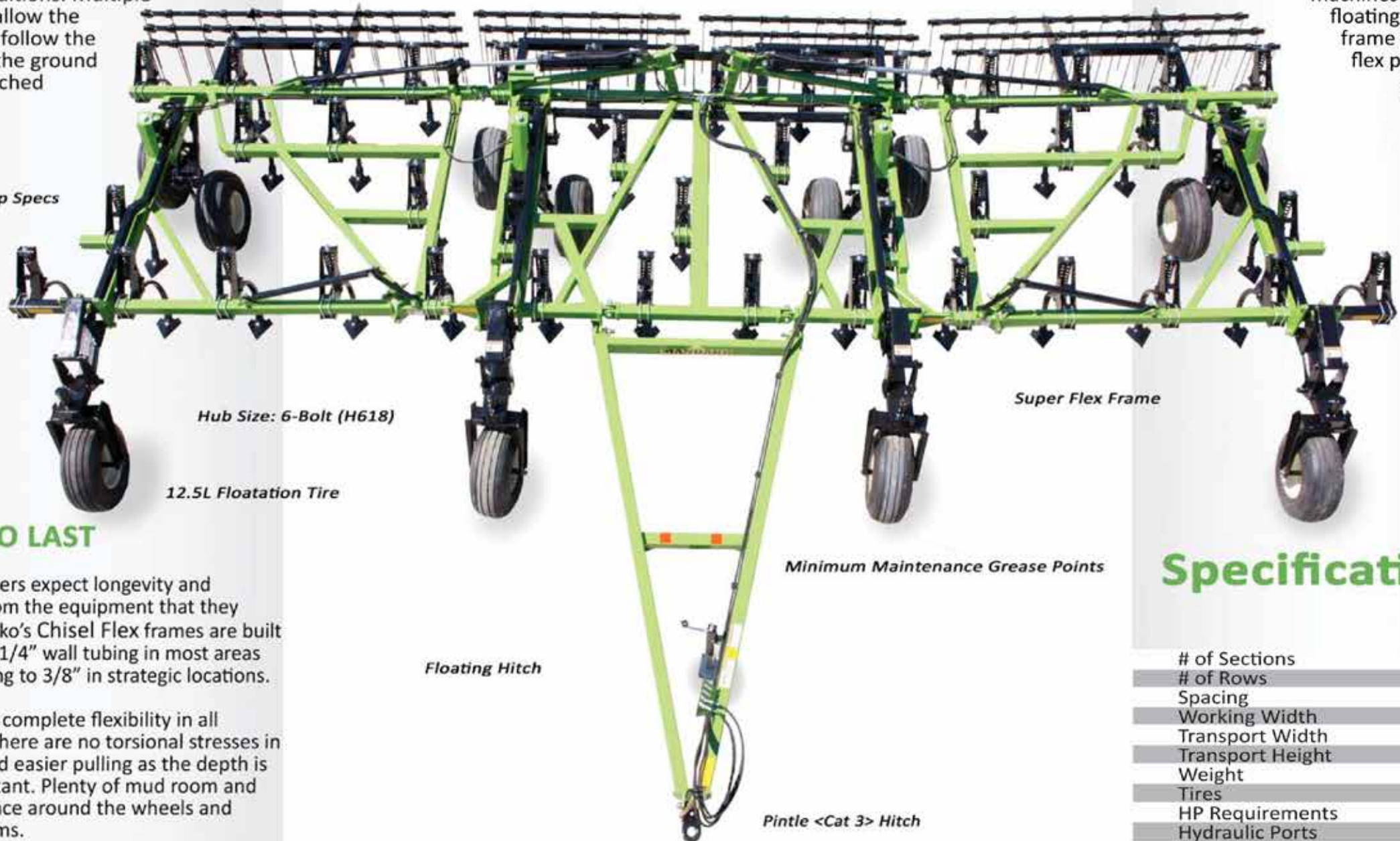
The unit has complete flexibility in all sections so there are no torsional stresses in the frame and easier pulling as the depth is more consistent. Plenty of mud room and trash clearance around the wheels and walking beams.

Features

Standard width of 40'

Frame Size: 4 x 4 x 1/4 & 3/8"

3-Row HD Tine Harrow



Hub Size: 6-Bolt (H618)

12.5L Floatation Tire

Super Flex Frame

Minimum Maintenance Grease Points

Floating Hitch

Pintle <Cat 3> Hitch

Benefits

Keeping your cultivator parallel to the ground is the best way to maximize performance. Mandako's Chisel Flex™ machines come with a floating hitch, heavy frame tubing and 6 flex points to help you get your work done.

Specifications

# of Sections	3
# of Rows	4
Spacing	12"
Working Width	40'
Transport Width	19'
Transport Height	16'-8"
Weight	15,000 lbs
Tires	12.5L
HP Requirements	280 - 400
Hydraulic Ports	2



EURO TWISTER

THE MANDAKO EURO TWISTER

The Mandako Twister Is the true Vertical Tillage machine, outperforming the competition in heavy soils and clay applications.

It features a simple design and a hydraulic hitch to effortlessly move between field and transport mode. Easy to use in the field with working widths up to 20' and easy to transport on the road with a less than 8' width.

Benefits

Use your Mandako Twister for the lightest pre-tillage applications in the spring and heavy residue management in fall... and everything in between

HEAVY DUTY CONSTRUCTION

The heaviest Vertical Tillage machine on the market.

AGGRESSIVE TILLAGE

-Unique ability to angle the discs up to a 7 degree angle.

INDEPENDENT DISC SUSPENSION

The Twister Vertical Tillage machine can penetrate any soil conditions and stay in the ground.

- Superior spring-down pressure on each disc
- Independent disc system (vs the "ganged" system which risks damage to the unit and inconsistent tillage)

AVOIDS DEBRIS PLUGGING

In wet conditions, our machine is renown for not "plugging" with debris and in the fall allowing the operator to effectively deal with wheat stubble and BT Corn stalks.



Features

+ Standard widths of 12' , 16' and 20'

+ Hydraulic depth control

+ Heavy wall frame tubing

+ Independeant coulter suspension

+ Patented triple lip seal on coulter hubs

+ Hydraulic angle adjustments

+ 700+ penetrating lbs/ft

ACCESSORIES/OPTIONAL:

- + Round/Flat bar rolling baskets
- + 2 row/3 row spring tine harrows
- + phillips rotary harrows
- + 12.5L floatation tires

TWISTER

MANDAKO

SOLID DESIGN...PROVEN PERFORMANCE



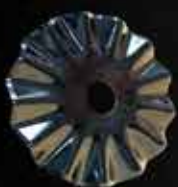
MANDAKO

TWISTER

The Mandako Twister is the true Vertical Tillage machine, outperforming the competition in heavy soils and clay applications.

It features a simple design and a hydraulic hitch to effortlessly move between field and transport mode. Easy to use in the field with working widths up to 40'.

COULTER OPTIONS



13 WAVE



SAMURAI



VORTEX



8 WAVE
NOTCHED

AVAILABLE SIZES:

SINGLE:
12' | 16'

3-SECTION:
24' | 28' | 32' | 36' | 40'



FEATURES

- Hydraulic Angle Adjustment:
0 - 7 Degree
- HD Tine Harrow
- Hydraulic Rolling Baskets (flat or round bar)
- 12" Blade Spacing (6" cut)
- Independent Coulters Suspension
- Triple Lip with Ductile Coulters Hub Seal
- Quick Change Coulters Hub (one bolt)
- Heavy Wall Frame Tubing
(6" x 6" x 1/2")
- 700+ Penetrating lbs/ft
- Hydraulic Depth Control
- 3-Way Electronic Selector Valve
- Only Grade 50 Materials Used

OPTIONAL ACCESSORIES

- 2/3/5 Row HD Tine Harrow
- Flat or Round Rod Rolling Baskets
- Clevis Hitch Insert

BENEFITS

Use your Mandako Twister for the lightest pre-tillage applications in the spring, for heavy residue management in fall... and everything in between! It's the **heaviest** Vertical Tillage machine on the market! With its unique ability to angle the discs from 0 up to a 7 degree angle, the Twister provides True Vertical Tillage. It can penetrate in any soil condition and **stay** in the ground. It is also equipped with superior spring-down pressure on each disc and has independent disc system (vs the "ganged" system which risks damage to the unit and inconsistent tillage). In wet conditions, our machine is known for not "plugging" with debris, and in the fall allowing the operator to effectively deal with wheat stubble and BT Corn stalks.



