

# JESSE RAST ENTERPRISES

If you need your equipment **FAST** stick with the **RAST!**

## Independent Distributor **CATALOGUE**



JesseRastEnterprises.com **803-420-4102**

# About Us

Rast Family Farms have been in operation since 1889, harvesting generations of appreciation for hard work, honesty, and dependability. Southern living at it's finest, and hardest of times. Through it all – we pull together, for the love of God, Family, Land, and Selflessness.

Jesse Rast Enterprises has taken the family values from decades of farming, planting the seed for a better way to procure farm and agricultural equipment by eliminating “the man”, speeding up delivery, and doing what’s right. Family is special and we choose to specialize in farm and agricultural equipment.

Unlike traditional distribution, Jesse Rast Enterprises runs the equipment that is available in our portfolio.

Farm life is not transactional, and you will feel the difference in honest guidance and feedback by becoming a part of the Jesse Rast Enterprises family.





JESSE **RAST ENTERPRISES**



**JESSE RAST ENTERPRISES (803) 420-4102**

## OUR SUMMER PRODUCTS



Throughout the years we have helped farmers accomplish more work and be more productive by developing several innovative products.

The original rock bucket is a key example. No one has designed a better bucket to pick up all sizes of rocks, roots or debris. It is by far the most rugged and durable bucket on the market.

For more extensive field conditions, we've developed a complete range of rock rakes designed to move rocks and roots into a windrow for easier handling.

Or now, you can also do both operations in one using our rock pickers.

Land leveling has become an important aspect of land and crop management. At SHoule, we offer a wide range of models to help farmers in all sorts of applications. From small 2WD tractors to big 4WD's we have the right size and fit. Simply choose between 5 models from 8 to 24 feet (2.43 - 7.34 m) wide

Land management is not complete unless you have a tool to handle trees. You can choose from our selection of tree shear models that fit most tractors, skid steer loaders, telehandlers or mini-excavators.

You can cut trees or limbs up to 16 inches (40 cm) in diameter.

Finally, help clean branches, roots and debris using our heavy duty grapples mounted on our rock buckets.

## BB, B, HB and SHB Series

Usable for rocks, roots and debris

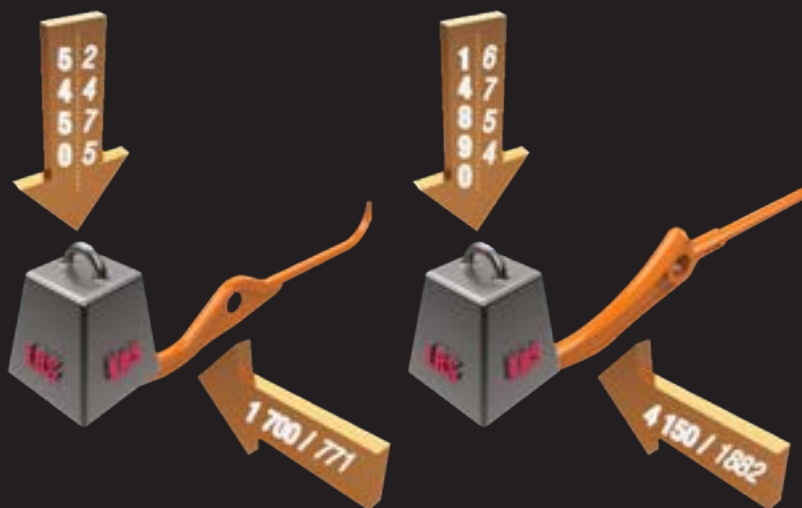
SHoule rock and material buckets are simply THE BEST on the market. With unmatched tips and lip design and high quality steel structure, we ensure you have the most robust tool to accomplish your work.

The tips are shaped according to the load distribution, and only a cast design could allow it. High carbon steel with chromolybdene provides a level of resistance no commercial steel rock bucket can match. In addition, their specially designed profile offers a stopper that allows for more volume capacity by keeping rocks from tumbling back. We have such confidence in our product that we offer a limited lifetime warranty on tips.

Our focus is not only on buckets, we also insure that our attaching brackets have the right angle that matches your OEM equipment.

It is clear that our rock buckets are not like any other one on the market. That is because we believe our customers deserve the best. We have put the engineering and attention to details needed to make our rock buckets highly productive tools.

### Industry Standards vs. SHoule Model Strength and Side Load



Cast steel tips offer **75%** more resistance to wear

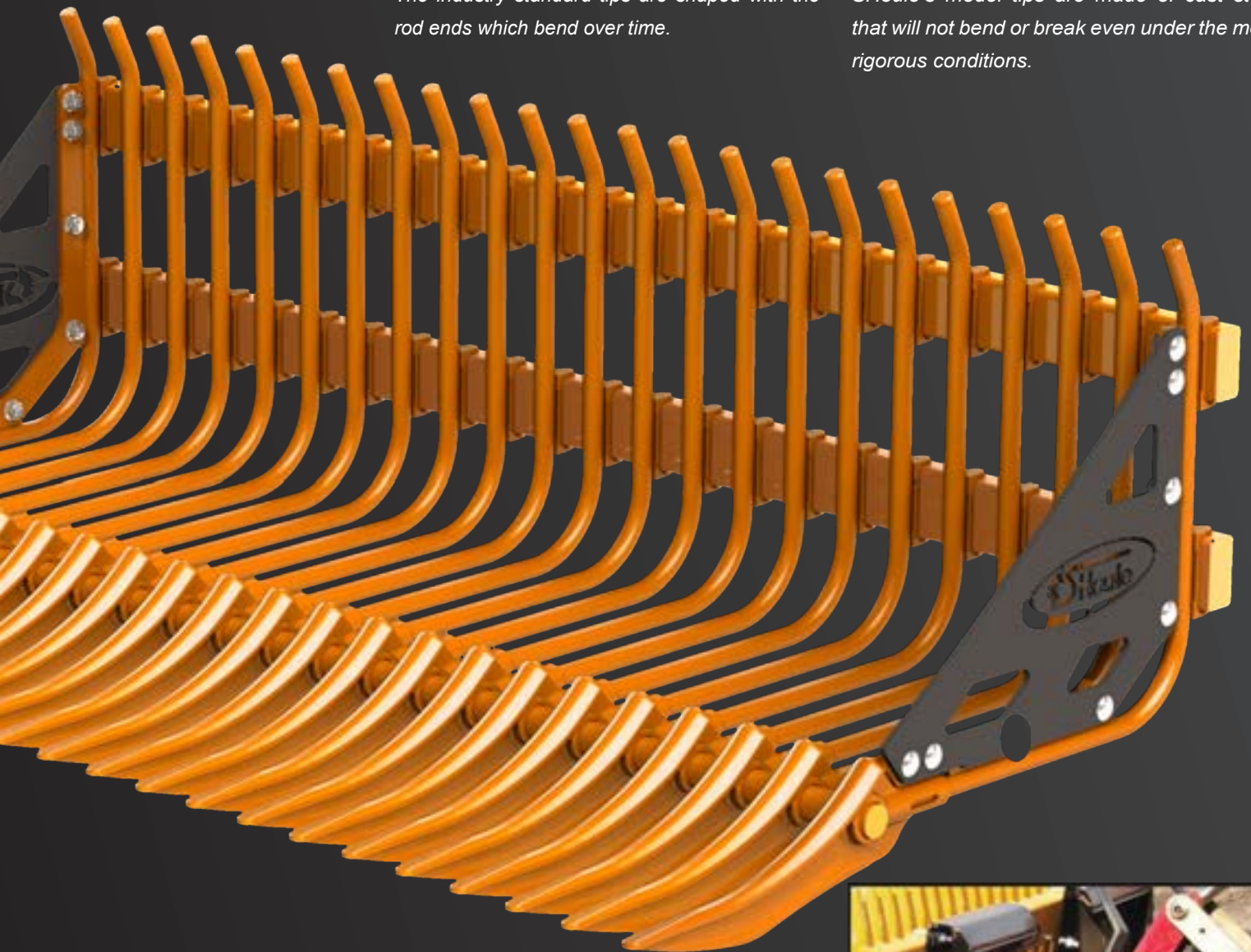
When compared to the industry standard, SHoule's tips with 1 1/4" (3.2 cm) steel rod is 98% stronger for vertical and side loads. Even more impressive is the tip with 1 1/2" (4 cm) rod that jump to 173% stronger on vertical loads and 144% stronger on side loads.



*The industry standard tips are shaped with the rod ends which bend over time.*



*SHoule's model tips are made of cast steel that will not bend or break even under the most rigorous conditions.*



*Attaching brackets are designed to respect the original manufacturer's designed angles.*

**JESSE RAST ENTERPRISES (803) 420-4102**

# BB, B and HB Series

## 30 to 200 HP (22 to 150 KW)



The BBW and BB Model buckets are ideal for picking up rocks and roots on the surface of the ground.

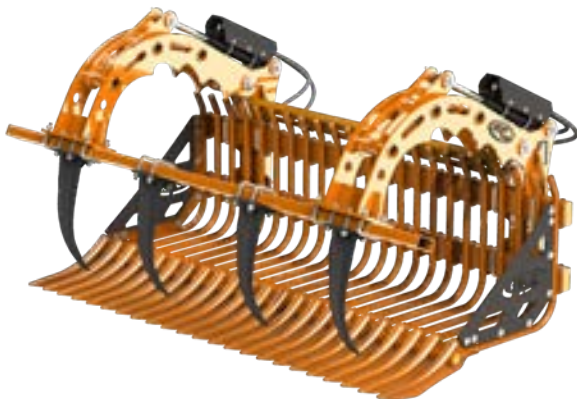
**Tine Diameter:** 1.125" (28 mm)  
**Space Between Tines:** 1.75" (45 mm)  
**Height:** 24.75" (63 cm). **Depth:** 34" (87 cm)  
**Tensile Strength:** 101,250 lb (46 000 kg)

The B Model rock bucket is designed to pick up rocks and roots at ground surface. With care, it can also be used for light digging.

**Tine Diameter:** 1.25" (32 mm)  
**Space Between Tines:** 2.5" (64 mm)  
**Height:** 24.75" (63 cm) **Depth:** 45" (114 cm)  
**Tensile Strength:** 112,500 lb (51 000 kg)

The HB Model bucket will scoop rocks that lay on the surface of the ground, but can also dig up medium sized rocks. To provide the most leverage, simply position the fork so it is centered near the rock you wish to unearth.

**Tine Diameter:** 1.5" (38 mm)  
**Space Between Tines:** 3" (76 mm)  
**Height:** 24.75" (63 cm) **Depth:** 41.25" (105 cm)  
**Tensile Strength:** 135,000 lb (61 000 kg)



### BB Series - 30 to 60 HP (22-45 KW)

MODEL	WIDTH	WEIGHT	NUMBER OF TINES	Price CAD
BB-6	70" (178 cm)	705 lb (320 kg)	25	3 100 \$

### B Series - 60 to 100 HP (45-75 KW)

MODEL	WIDTH	WEIGHT	NUMBER OF TINES	Price CAD
B-6	70" (178 cm)	760 lb (345 kg)	19	3 600 \$
B-7	81" (206 cm)	875 lb (397 kg)	22	4 000 \$
B-8	92" (234 cm)	990 lb (450 kg)	25	4 500 \$

### HB Series - 85 to 200 HP (63-150 KW)

MODEL	WIDTH	WEIGHT	NUMBER OF TINES	Price CAD
HB-6	70" (178 cm)	820 lb (372 kg)	16	4 500 \$
HB-7	88" (223 cm)	990 lb (450 kg)	19	4 950 \$
HB-8	97" (246 cm)	1110 lb (504 kg)	22	5 350 \$
HB-9	110" (279 cm)	1375 lb (624 kg)	25	5 900 \$

### Modèle GP-10

DESCRIPTION	WEIGHT	Price CAD
2 Hydraulic cylinders 2" (51 mm) dia. (hose to tractor not supplied) C/W 4 chromolybdene steel teeth	625 lb (284 kg)	4 450 \$

### OPTIONS

Extra tooth	360 \$
Double Action Kit	360 \$
<i>For grabbing uneven objects. Bracketry and hydraulic fittings.</i>	



# SHB Series and SGP grapple

200 HP+ (145 KW+)



SHB Series - more than 200 HP (145 KW+)				
MODEL	WIDTH	WEIGHT	NUMBER OF TINES	Price CAD
SHB-9	112" (285 cm)	2205 lb (1002 kg)	20	12 550 \$

The SHB Model bucket is built for wheel loaders or payloaders, and can also be mounted on any large backhoe loader. Each tine is reinforced with a high strength steel plate for maximum durability. With the strength of this bucket, you can dig up and move any kind of debris.

- Tine Diameter:** 1.75" (45 mm)
- Space Between Tines:** 4" (100 mm)
- Height:** 32" (81 cm) **Depth:** 44.25" (112 cm)
- Tensile Strength:** 157,500 lb (71 450 kg)

Especially designed for heavy duty work the SGP-10 Series grapple is made to be used with the SHB rock bucket. The SGP-10 is equipped with two powerful 2.5" (64 mm) hydraulic cylinders.

It is built with the same components as the GP version but heavier. Adapted for industrial loaders, mini-excavators and other loading equipment such as telehandlers.

SGP-10 Model		
DESCRIPTION	WEIGHT	Price CAD
Grapple forks for SHB, 8' & 9' (2.1-2.7 m) 2 Hydraulic cylinders 2.5" (64 mm) dia. (hose to tractor not supplied) C/W 4 chromolybdene steel teeth	700 lb (317 kg)	5 900 \$
OPTIONS		
Extra tooth		360 \$
Double Action Kit		360 \$
<i>For grabbing uneven objects. Bracketry and hydraulic fittings.</i>		



# QUICK ATTACH

## MOST POPULAR

PRODUCT #	MODEL	WEIGHT	Price CAD
IN20-00007	ALO	115 lb (52 kg)	480 \$
IN25-00001	FORD NEW HOLLAND 9030 (276, 7414, 256)	160 lb (73 kg)	1 000 \$
IN03-00004	FORD NEW HOLLAND TV140	194 lb (88 kg)	1 000 \$
IN01-00082	JD 640/740 (620, 720, 725, 741)	160 lb (73 kg)	1 000 \$
IN22-00003	SKID STEER	125 lb (57 kg)	480 \$



ALO

## FRONT END LOADER FOR AGRICULTURAL TRACTORS

PRODUCT #	MODEL	WEIGHT	Price CAD
IN-20E12	UNIVERSAL ATTACHMENTS (1" DIA.)	76 lb (35 kg)	1 000 \$
IN-20E35	UNIVERSAL ATTACHMENTS (1 1/2" DIA.)	76 lb (35 kg)	1 000 \$
IN28-00004	ALLIED 595	105 lb (48 kg)	1 000 \$
IN28-00005	ALLIED	82 lb (37 kg)	1 000 \$
IN28-00003	ALLIED 795	153 lb (69 kg)	1 000 \$
IN41-00001	ALLIED EURO 2595	136 lb (62 kg)	1 000 \$
IN20-00004	ALO (SHB)	365 lb (166 kg)	1 000 \$
IN02-00005	CIH L300, 510, 520	214 lb (97 kg)	1 000 \$
IN20-00002	CASE LX162-172, L400-L750, LX156	114 lb (52 kg)	1 000 \$
IN22-00003	FORD NEW HOLLAND 16-17LA, 32-33LA	125 lb (57 kg)	1 000 \$
IN22-00003	FORD NEW HOLLAND 46LB, 52LA-LB-LC	125 lb (57 kg)	1 000 \$
IN25-00002	FORD NEW HOLLAND 7312-14, 7411-12-13, 7511	153 lb (69 kg)	1 000 \$
IN24-00001	HARDY	145 lb (66 kg)	1 000 \$
IN01-00014	JD 240 (245, 260, 265)	109 lb (49 kg)	1 000 \$
IN01-00043	JD 400X	89 lb (40 kg)	1 000 \$
IN01-00019	JD 440 (410, 419, 430, 460)	100 lb (45 kg)	1 000 \$
IN01-00040	JD 480H GLOBAL	314 lb (143 kg)	1 000 \$
IN01-00019	JD 540 (520, 521, 541, 542)	100 lb (45 kg)	1 000 \$
IN01-00034	JD 746	180 lb (82 kg)	1 000 \$
IN01-00022	JD 840	360 lb (164 kg)	1 000 \$
IN01-00032	JD 840 (SHB)	425 lb (193 kg)	1 000 \$
IN05-00006	MASSEY 1036, 1038	95 lb (43 kg)	1 000 \$
IN05-00005	MASSEY 1070	133 lb (60 kg)	1 000 \$



Ford New Holland TV140



JD 640



Skid Steer



JD 244

## SKID STEER LOADER

PRODUCT #	MODEL	WEIGHT	Price CAD
IN22-00003	ASV RC50, RC60	125 lb (57 kg)	480 \$
IN01-00021	JD 280	157 lb (71 kg)	1 000 \$
IN03-00003	FORD NEW HOLLAND L425, L454, L455	183 lb (83 kg)	1 000 \$
IN03-00007	FORD NEW HOLLAND L555	113 lb (51 kg)	1 000 \$
IN22-00009	SKID STEER PLATE	103 lb (47 kg)	1 000 \$
IN22-00003	SKID STEER - REGULAR	125 lb (57 kg)	480 \$

# QUICK ATTACH

## TELEHANDLERS



Skid Steer plate

PRODUCT #	MODEL	WEIGHT	Price CAD
IN06-00001	MERLO 26.6 ASS	235 lb (107 kg)	1 650 \$
IN06-00003	MERLO ZM2	286 lb (130 kg)	1 650 \$
IN13-00016	JCB 506, 508	101 lb (46 kg)	1 650 \$
IN13-00006	JCB 524, 550	106 lb (48 kg)	1 650 \$
IN13-00005	JCB 524	352 lb (160 kg)	1 650 \$
IN13-00009	JCB 530B	247 lb (112 kg)	1 650 \$
IN13-00007	JCB 530B (SHB)	255 lb (116 kg)	1 650 \$
IN13-00013	JCB 524, 550 (SHB)	161 lb (73 kg)	1 650 \$

## INDUSTRIAL EQUIPMENT (LOADERS, BACKHOES, ETC.)



JCB 530B (SHB)

PRODUCT #	MODEL	WEIGHT	Price CAD
IN02-00019	CASE 580E	142 lb (65 kg)	1 650 \$
IN02-00014	CASE 580L (DIRECT)	174 lb (79 kg)	2 100 \$
IN02-00012	CASE 580M (DIRECT)	179 lb (81 kg)	2 100 \$
IN02-00011	CASE 721B	321 lb (146 kg)	2 100 \$
IN11-00001	CAT 950	210 lb (95 kg)	2 100 \$
IN11-00055	CAT IT14/24/28	250 lb (113 kg)	2 100 \$
IN11-00054	CAT IT28 (SHB)	456 lb (207 kg)	2 100 \$
IN11-00046	CAT 936F, 938F, 938G (SHB)	480 lb (218 kg)	2 100 \$
IN11-00020	CAT IT 950 (962, 966, 972) (SHB)	482 lb (219 kg)	2 100 \$
IN11-00048	CAT FUSION	582 lb (264 kg)	2 100 \$
IN11-00056	CAT FUSION (SHB)	582 lb (264 kg)	2 100 \$
IN13-00004	JCB 426HT	345 lb (147 kg)	1 650 \$
IN01-00029	JD 244E	237 lb (108 kg)	1 650 \$
IN01-00015	JD 244J	132 lb (60 kg)	1 650 \$
IN01-00025	JD 310G, 410G	190 lb (86 kg)	1 650 \$
IN01-00060	JD 310 (DIRECT)	262 lb (119 kg)	2 100 \$
IN01-00046	JD 444E (DIRECT) (SHB)	209 lb (95 kg)	2 100 \$
IN01-00044	JD 444J (SHB)	307 lb (139 kg)	2 100 \$
IN01-00030	JD 544	200 lb (90 kg)	1 650 \$
IN01-00008	JD 544 (SHB)	200 lb (90 kg)	2 100 \$
IN04-00006	KUBOTA R520, R410, R420, R510	235 lb (107 kg)	1 650 \$
IN16-00001	VOLVO BL71	325 lb (148 kg)	2 100 \$
IN16-00011	VOLVO L120C (SHB)	348 lb (158 kg)	2 100 \$
IN16-00010	VOLVO L50, L70	385 lb (175 kg)	2 100 \$
IN16-00004	VOLVO L120	338 lb (153 kg)	2 100 \$



CAT IT28



CAT Fusion

## ADAPTORS FOR INDUSTRIAL EQUIPMENT

PRODUCT #	MODEL	WEIGHT	Price CAD
IN21-00008	JRB 416	276 lb (125 kg)	2 100 \$
IN21-00010	JRB 416 (SHB)	311 lb (141 kg)	2 100 \$
IN09-00037	EDF	187 lb (85 kg)	2 100 \$
IN09-00038	EDF (SHB)	377 lb (171 kg)	2 100 \$
IN21-00011	JRB 418 (SHB)	435 lb (186 kg)	2 100 \$
IN26-00005	VALLÉE (SHB)	543 lb (246 kg)	2 100 \$



Volvo (SHB)

Many other model attachments available or can be custom built.

Inquire about the model you need for availability.

# WD, PWD and SWD Series

Usable for rocks, roots and debris

Whichever size rake you choose, we insure the same product quality. Whether you purchase a three point mounted or pull type version, all rakes come standard with bolt on, reversible and replaceable teeth made of RT-400 steel which are 4 times stronger than market standards. All mechanical rakes are protected with a slip clutch system while the hydraulic version is pressure regulated.

All our frames are of the highest grade material to support greater shocks and loads in rough field conditions. They are also driven by heavy duty double chains (single for WD-6) located in a sealed drive case for complete dust and rock protection.

### WD-10H:

Unlike the standard WD models, the WD-10H rock rake is powered directly by the tractor's hydraulic system. It also includes a 25 degree hydraulic swivel, enabling it to be perpendicular to the tractor if desired.

### PWD-10:

In addition to the above standard features, the PWD-10 also includes a tilt system on the rear wheel to adjust to ground contour.

### SWD-15:

Bigger rakes require additional features such as the suspended drum that follow ground contour and absorbs shocks from heavier rocks. Adjustable working angle and shield protection are other key standard features of the SWD-15. Our top of the line model. It has a longer drum and bigger drive bearings. Working angle is adjustable and transport mode is achieved hydraulically.

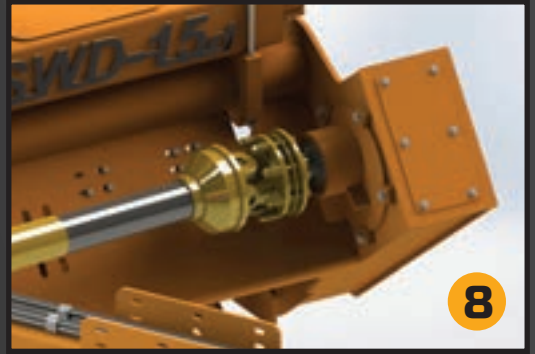


- 1** Pull type or 3 point hitch models
- 2** Hydraulic transport conversion (SWD model)
- 3** Heavy duty frame
- 4** Flotation system (drum)
- 5** Protective shields
- 6** Sealed chain case
- 7** Dual chain
- 8** Multiple disc slip clutch
- 9** Heavy duty replaceable and reversible teeth

2



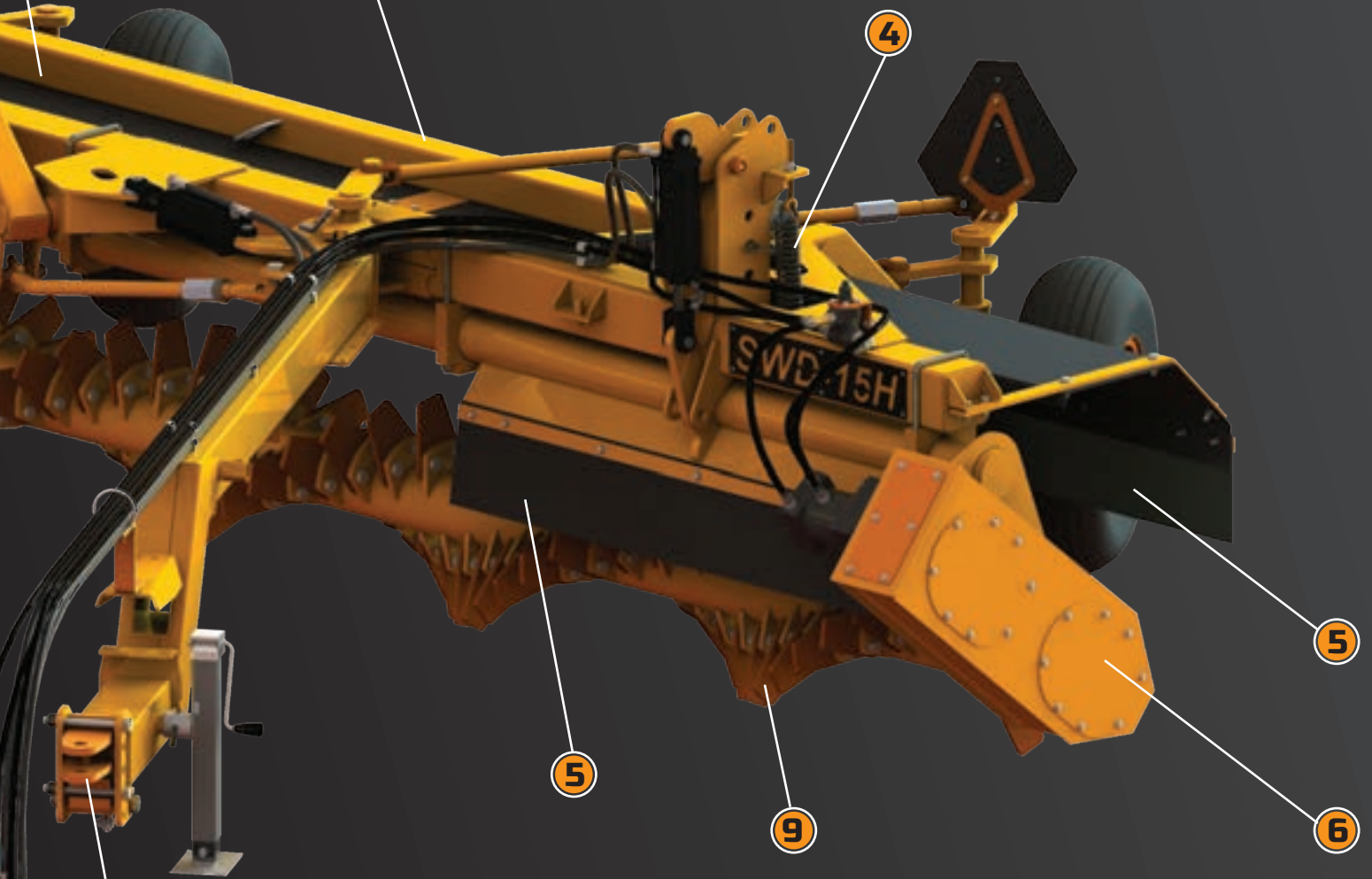
Dual chain



Multiple disc slip clutch

3

4



5

5

9

6

1



Heavy duty teeth

**JESSE RAST ENTERPRISES (803) 420-4102**

# WD Series

Standard 3 point hitch models, PTO driven



The WD-6 and WD-10B rock rakes are made to move rocks and roots into windrows making them easier to collect.

**Equipment Specifications:**

**Tires:**

- WD-6 : 16.5"x 6.5" (419 x 165 mm)
- WD-10B : 18.5" x 8.5" (470 x 206 mm)

Able to pivot 360° allows for greater flexibility and maneuverability

**Hookup:** 3 point hitch mounting system

**Drop Box:** Chain, gears and bearings in sealed oil bath

**Protection:** Slip clutch

**Tooth Type:** RT-400 steel replaceable and reversible, 4x stronger than regular steel

**Transport conversion:** None

**Working Width:**

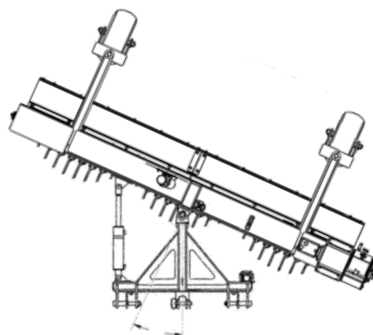
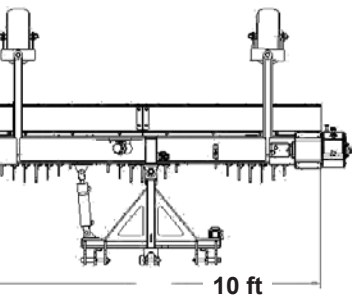
- WD-6: 5' 2" (1.6 m)
- WD-10: 8' 8" (2.7 m)



WD Series				
MODEL	WIDTH	WEIGHT	RECOM. HP HP (KW)	Price CAD
WD-6	7.3' (2.2 m)	1150 lb (522 kg)	40-60 (30-48)	13 750 \$
WD-10B	11.3' (3.5 m)	1850 lb (839 kg)	65-125 (48-93)	18 750 \$

# WD Series

Hydraulic models, 25° swivel, front or rear mounted



The WD-10H rock rake is powered directly by the tractor's hydraulic system.

It can be installed in front on a SKID STEER loader, or front or rear mounted on a 3 point hitch.

This rock rake has a 25 degree hydraulic swivel, enabling it to be perpendicular to the tractor if desired.

The tractor's hydraulic system requirements are a flow between 10 and 16 GPM (37.85 to 6-.56 l/m), with a maximum pressure of 3000 psi (207 bars).

**Equipment Specifications:**

**Tires:** 18.5" x 8.5" (470 x 206 mm)

**Hookup:** SKID STEER or 3 point hitch

**Drop Box:** Chain, gears and bearings in sealed oil bath

**Protection:** Pressure relief valve

**Tooth Type:** RT-400 steel replaceable and reversible

**Working Width:** 10' (3.05 m)

3 point rear installation



Front installation on SKID STEER



WD Series (hydraulic drive, 25o degree swivel)				
MODEL	WIDTH	WEIGHT	RECOM. HP HP (KW)	Price CAD
WD-10H	11.4' (3.47 m)	2100 lb (953 kg)	65+ (49+)	18 550 \$

Installation type	
3 POINTHITCH	3 425 \$
SKID STEER	4 015 \$

# PWD Series

Pulled model



The PWD-10 rock rake is designed to dig and move rocks and roots into a windrow making them easy to collect.

**Equipment Specifications:**

**Tires:** 11L/15

**Hookup:** Pull type

**Drop Box:** Chain, gears and bearings in sealed oil bath

**Protection:** Slip clutch

**Tooth Type:** RT-400 steel replaceable and reversible,  
4x stronger than regular steel

**Transport conversion:** Manual

**Working Width:** 8' 8" (2.7 m)



PWD Series				
MODEL	WIDTH	WEIGHT	RECOM. HP HP (KW)	Price CAD
PWD-10	11.3' (3.5 m)	2500 lb (1134 kg)	65-125 (48-93)	23 200 \$



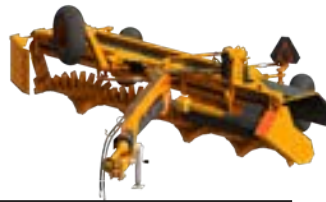
# Série SWD

## Hydraulic transport conversion



### SWD-15M

Mechanical version. Driven with a driveshaft connected to the tractor's PTO.



### SWD-15T

Independant hydraulic system. The auxiliary pump is driven with a driveshaft connected to the tractor's PTO. The rake is provided with a reservoir and an oil cooler.



The oil from the tractor does not flow into the rake's system.

### SWD-15H

Fully hydraulic. The rake is driven by the tractor's hydraulic system. There is no hookup to the PTO. The tractor's oil circulates in the rake's system. The tractor must provide between 16 gpm and 32 gpm @ 3000 psi.



The SWD -15 is designed to adapt to 65-125 HP (48-93 KW) tractors. It digs and moves rocks and roots to form a windrow making them easy to pick up. It is offered in 3 versions.

#### Equipment Specifications:

**Tires:** 11L/15

**Hookup:** Pull type

**Drop Box:** Chain, gears and bearings in sealed oil bath

**Protection:** Slip clutch (or pressure relief for hydraulic drive)

**Tooth Type:** RT-400 steel replaceable and reversible, 4x stronger than regular steel

**Working Width:** 13' 10" (4.2 m)

**Transport Conversion:** Hydraulic

**Other:**

- Width of transport 8' (2.43 m).
- Multiple guards
- Flotation system



SWD Series				
MODEL	WIDTH	WEIGHT	RECOM. HP HP (KW)	Price CAD
SWD-15M	15.8' (4.8 m)	4275 lb (1940 kg)	65-125 (48-93)	36 550 \$
SWD-15T	15.8' (4.8 m)	4775 (2170 kg)	65-125 (48-93)	42 600 \$
SWD-15H	15.8' (4.8 m)	4275 lb (1940 kg)	65-125 (48-93)	35 050 \$

# DRR Series

## Double auger



The DRR-30H is a double auger rock rake designed for major chores. With two 14' floating augers, the unit unfolds to an angle of 120 degrees to achieve a total working width of 27 feet. The unit has a 30 inch central area allowing the formation of a single rock swath. Hydraulic drive activated by tractor PTO, protected with overflow caution valve and cooled with thermostatic bypass valve. Comes with hydraulic depth control.



**Equipment Specifications:**

- Tires:** Rear: 16.5 x 16.1 (2x) / Front: 11L-15 (4x)
- Hookup:** Pull type (category 2 or 3)
- Drop Box:** Chain, gears and bearings in sealed oil bath
- Protection:** Pressure relief valve
- Tooth Type:** RT-400 steel, replaceable and reversible
- Working Width:** 27'
- Transport Conversion:** Hydraulic
- Other:**
  - Transport width: 10' 2" (3.10 m)
  - Multiple guards
  - Flotation systemn



DRR Series				
MODEL	WIDTH	WEIGHT	RECOM. HP HP (KW)	Price CAD
DRR-30H	35' (10.66 m)	13 500 lb (6124 kg)	80+ (60+)	114 350 \$

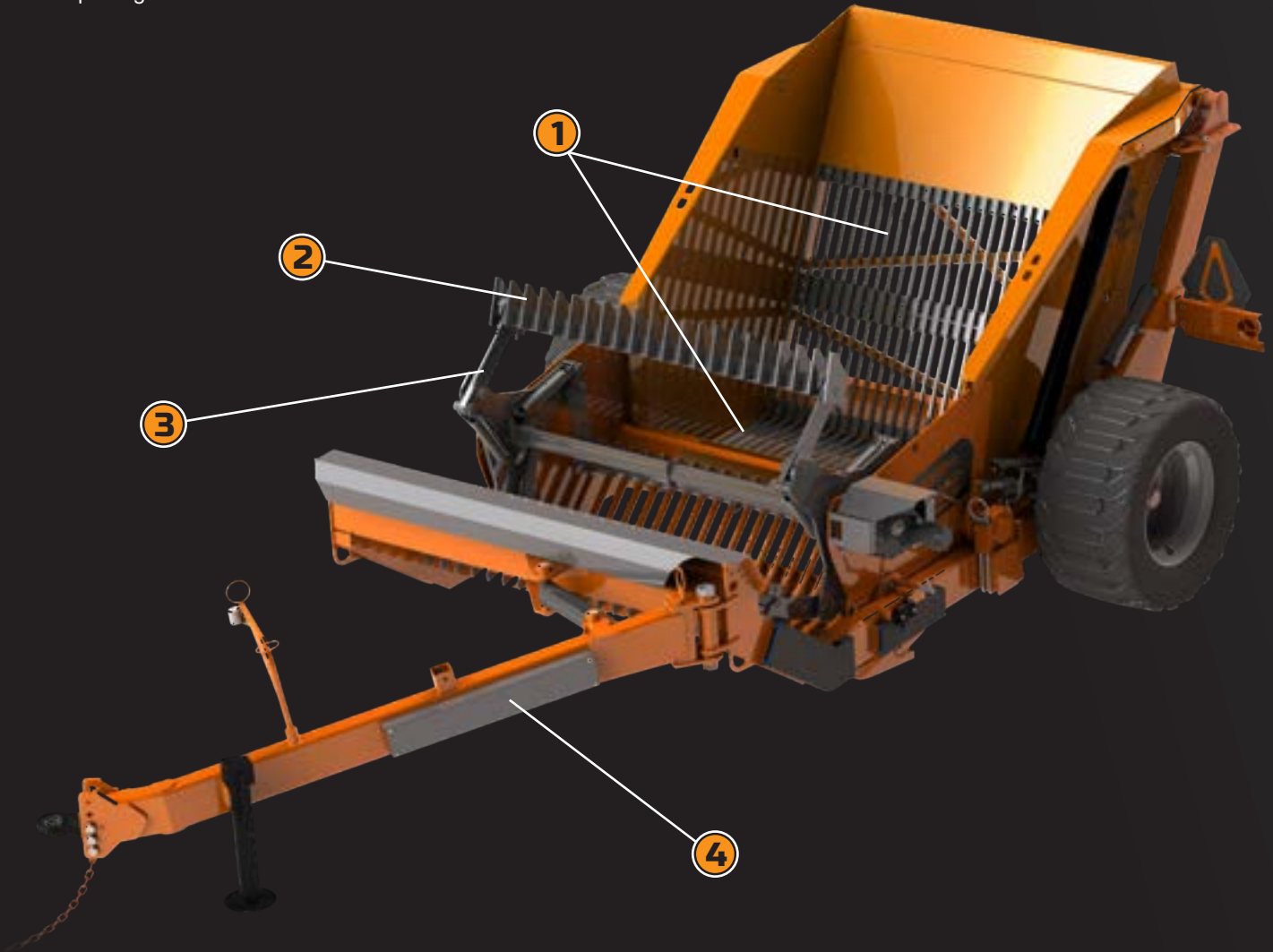
## RM Series

### High volume Rock Picker

Shoule rock pickers are built with great attention to detail to offer many advantages.

In addition to the customary Shoule sturdy, heavy build, these rock pickers offer many features when it comes to functionality, visibility, bucket capacity and maximum pickable rock diameter.

Our rock pickers feature the least amount of moving parts in the industry, are built with highly resistant AR400 steel teeth, and provide a picking width that is unmatched on the market.



**1** Bucket grated on bottom and rear

**2** Heavy Duty AR400 steel teeth

**3** Super sturdy 3 bat reel

**4** Long, heavy duty swing pole

**JESSE RAST ENTERPRISES (803) 420-4102**

# RM-8080 Model - Rock Master

Rock Picker - 80" high



- Picking Width:** 80" (2.03 m)
- Working Width:** 177" (4.50 m)
- Width in Transport Mode:** 137" (3.48 m)
- Operating Length:** 266.5" (6.77 m)
- Length in Transport Mode:** 275" (6.98 m)
- Overall Height:** 82" (2.08 m)
- Dumping Height:** 82" (2.08 m)
- Bucket Capacity:** 106 pi3 (3 m3)
- Tires:** 550/45X22.5 16PRTL
- Tire Pressure:** 40 PSI / 2.76 bars
- Number of Bats:** 3
- Life Cylinder:** 4" dia x 48" (10 cm dia x 122 cm)
- Recommended Speed:** 2 à 5 mph / 3 à 8 km/h
- Recommended Reel Speed:** 35 to 50 rpm
- Minimum Rock Diameter:** 2" (5.08 cm)
- Maximum Rock Diameter:** 30" (76 cm)

Hydraulic Drive  
 Hydraulic Outlets: 3 minimum  
 Required Oil Flow:

The SHoule rock pickers offer many advantages versus the competition, including: a significant dumping height, the ability to dump while in motion, the large bucket capacity and an unparalleled visibility while working.

SHoule rock pickers are designed for performance and durability.



RM Series					
MODEL	DIMENSIONS	WEIGHT	HP MIN HP (KW)	HP RECOM. HP (KW)	Price CAD
RM-8080 ROCK MASTER	80" long x 80" high	9 000 lb (4082 kg)	80 (60)	120 (90+)	69 800 \$

OPTIONS	
3 HYDRAULIC OUTLETS INSTEAD OF 4	970 \$

# HLL Series

## Swivelling box blade land levelers



The HLL is designed to be used with utility tractors from 40 to 110 HP (30-82 KW). Best in its class in terms of strength and durability, the HLL box scraper can level almost any type of surfaces from gravel roads to fields. Tilt and height functions are controlled by 3 cylinders.

**Blade Height:** 30" (76 cm)



*HLL option -  
Premium Level  
Indicator*

HLL Series				
MODEL	WIDTH	WEIGHT	RECOM. HP HP (KW)	Price CAD
HLL-08	8' (2.44 m)	1850 lb (840 kg)	40-110 (30-82)	10 500 \$
HLL-10	10' (3.05 m)	1875 lb (850 kg)	60-110 (45-82)	11 000 \$
HLL-12	12' (3.66 m)	1995 lb (900 kg)	80-110 (60-82)	11 500 \$
OPTIONS				
Scarifying Teeth Kit 8' (2.4 m)				4 550 \$
Scarifying Teeth Kit 10' (3.0 m)				4 900 \$
Scarifying Teeth Kit 12' (3.7 m)				5 200 \$
Premium Level Indicator				435 \$
Post for GPS receiver				435 \$
Post for LASER receiver				750 \$



# LNS, LN and SLN Series

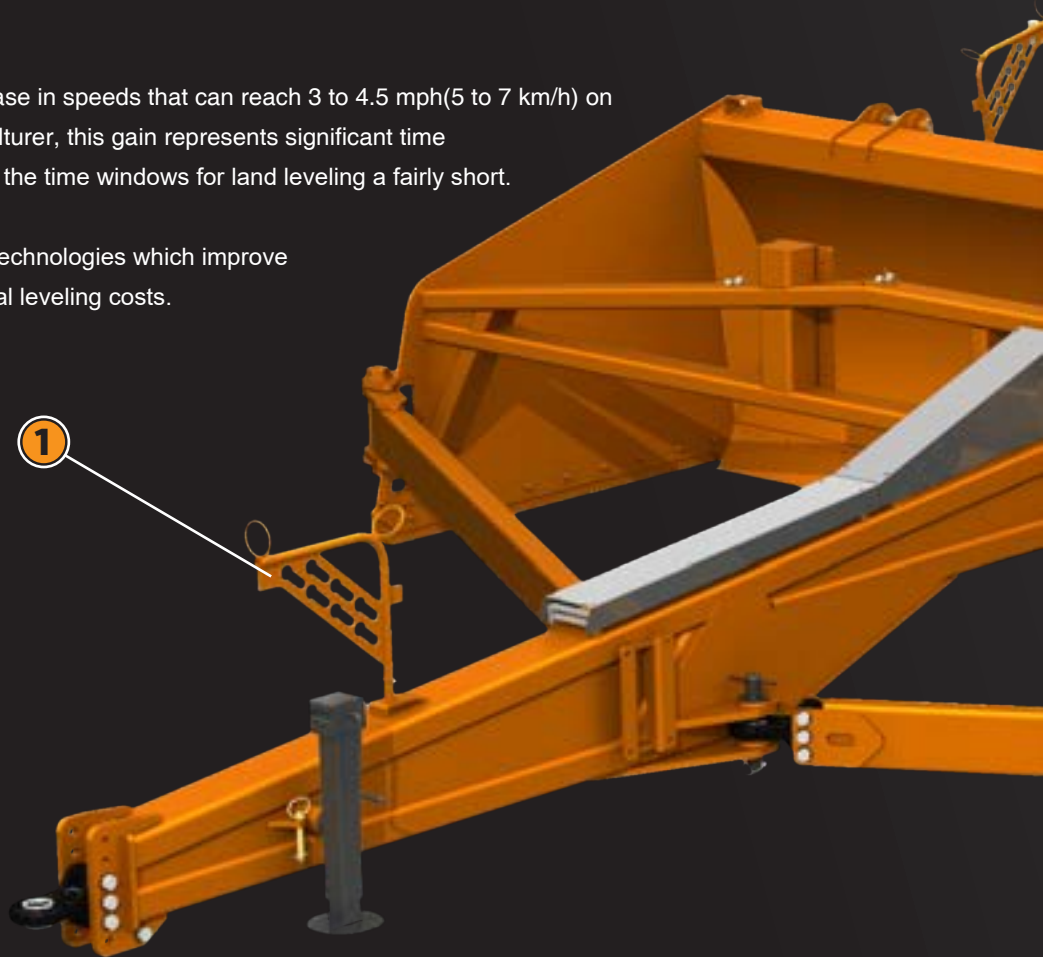
## 4th generation high speed land levelers

### Unmatched Productivity

Born of more than 2 years of efforts in research and development, S Houle can now confirm that our 4th generation land levelers – our patent pending G4 category – can level at moderate to high speed **up to 16 mph (25 km/h)** with a stability beyond comparison, without resonance.

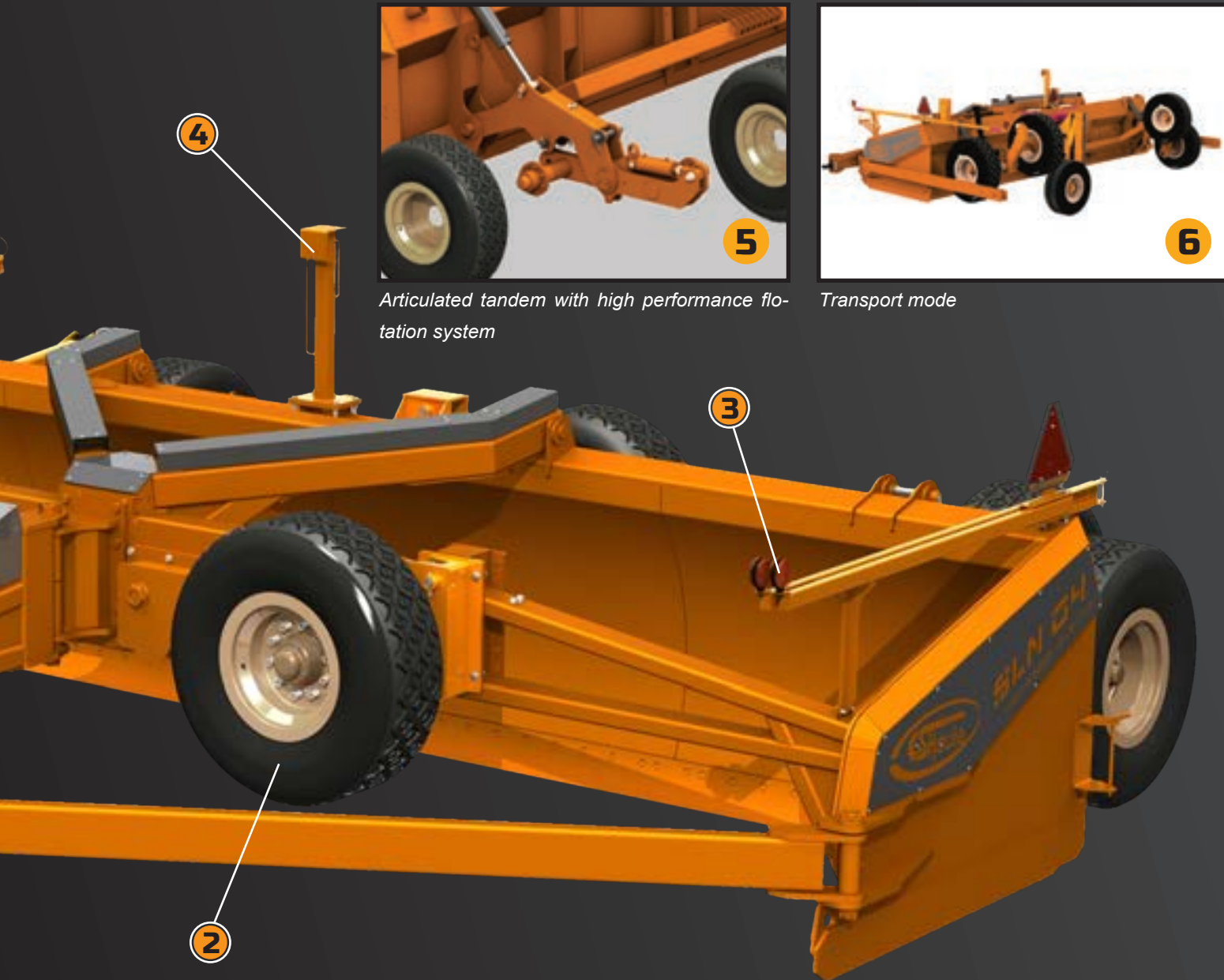
Our trials in the field show an average increase in speeds that can reach 3 to 4.5 mph (5 to 7 km/h) on a representative field sample. For the agriculturer, this gain represents significant time savings, especially when one considers that the time windows for land leveling are fairly short.

Our G4 levelers introduce many innovative technologies which improve the leveling experience and reduce the global leveling costs.



- || 1** Hydraulic hose supports
- || 2** Various tire options
- || 3** Security Lights Kit included on all models
- || 4** Post for GPS or LASER receiver systems
- || 5** Articulated tandem with high performance flotation system for maximum waddle reduction
- || 6** Transport Kit
- || 7** Scarifying Teeth with or without spring trip action

**JESSE RAST ENTERPRISES (803) 420-4102**



Articulated tandem with high performance flotation system

Transport mode

**For Perfect Fields**

It's no secret: well leveled fields are essential in order to insure efficient drainage, obtain optimal growth, and prevent areas from getting too humid.

We have a complete line of agricultural land levelers which can all be ordered with different options.

Compare and you will see that our land levelers are the most complete, efficient and durable on the market.



Scarifying Teeth with or without spring trip action

# LNS, LN and SLN Series

4th Generation high speed levelers

## LNS Series

75 to 125 HP (56-94 KW)

Available Models	
	12 feet (3.7 meters)
	14 feet (4.3 meters)
	16 feet (4.88 meters)



## LN Series

100 to 250 HP (75-190 KW)

Available Models	
	14 feet (4.3 meters)
	16 feet (4.8 meters)
	18 feet (5.5 meters)



## SLN Series

300 HP + (225 KW +)

Available Models	
	18 feet (5.5 meters)
	20 feet (6 meters)
	24 feet (6 meters)





# LNS Series

## 4th Generation high speed levelers



The LNS G4 land leveler, adapted for use on **75 to 125 HP (56 to 94 KW) tractors**, comes standard with the following options:

- Left Articulated Tandem
- Security Lights Kit
- Tires BKT TR 315 31 X 15.5-15



LNS Series						
MODEL	WIDTH	HEIGHT	WEIGHT	RECOMMENDED HP HP (KW)	CAPACITY ft <sup>3</sup> / m <sup>3</sup>	Price CAD
LNS-12	12' (3.66 m)	38" (96 cm)	6700 lb (3039 kg)	75-125 (56-94)	120 ft <sup>3</sup> (3.40 m <sup>3</sup> )	42 050 \$
LNS-14	14' (4.27 m)	38" (96 cm)	7050 lb (3198 kg)	75-125 (56-94)	140 ft <sup>3</sup> (3.97 m <sup>3</sup> )	44 150 \$
LNS-16	16' (4.88 m)	38" (96 cm)	7400 lb (3357 kg)	75-125 (56-94)	160 ft <sup>3</sup> (4.53 m <sup>3</sup> )	46 650 \$

OPTIONS	
Security Lights Kit	Included
Post for GPS receiver	800 \$
Post for LASER receiver	1 100 \$
Left Articulated Tandem	Included
Double Articulated Tandems	4 250 \$
Scarifying Teeth kit 12 ft (3.66 m) - weight 1000 lb (454 kg)	7 000 \$
Scarifying Teeth kit 14 ft (4.27 m) - weight 1150 lb (522 kg)	7 550 \$
Scarifying Teeth kit 16 ft (4.88 m) - weight 1250 lb (567 kg)	8 150 \$



# LN Series

4th Generation high speed levelers



The LN G4 land leveler, adapted for use on **100 to 250 HP (75 to 190 KW)** tractors, comes standard with the following options:

- Left Articulated Tandem
- Security Lights Kit
- Tires BKT AW705 15.0/55-17 18PRTL



**- Patented Design -**

LN Series						
MODEL	WIDTH	HEIGHT	WEIGHT	RECOMMENDED HP HP (KW)	CAPACITY ft <sup>3</sup> / m <sup>3</sup>	Price CAD
LN-14	14' (4.27 m)	45" (1.14 m)	9000 lb (4082 kg)	100-250 (75-190)	215 ft <sup>3</sup> (6.09 m <sup>3</sup> )	55 400 \$
LN-16	16' (4.88 m)	45" (1.14 m)	9500 lb (4309 kg)	100-250 (75-190)	245 ft <sup>3</sup> (6.94 m <sup>3</sup> )	57 250 \$
LN-18	18' (5.50 m)	45" (1.14 m)	10 000 lb (4536 kg)	100-250 (75-190)	275 ft <sup>3</sup> (7.78 m <sup>3</sup> )	61 150 \$

OPTIONS		
Transport Kit		13 400 \$
Traction Tires (BKT TR882 400/60-15.5 18PRTL)		At no additional cost
Security Lights Kit		Included
Post for GPS receiver		800 \$
Post for LASER receiver		1 100 \$
Articulated Left Tandem		Included
Double Articulated Tandems		4 200 \$
Scarifying Teeth kit 14 ft (4.27 m) - weight 1150 lb (522 kg)	standard : 9 500 \$	with spring trip action : 16 650 \$
Scarifying Teeth kit 16 ft (4.88 m) - weight 1250 lb (567 kg)	standard : 9 650 \$	with spring trip action : 18 200 \$
Scarifying Teeth kit 18 ft (5.50 m) - weight 1300 lb (590 kg)	standard : 9 850 \$	with spring trip action : 18 400 \$



# SLN Series

## 4th Generation high speed levelers



- Patented Design -

The SLN G4 land leveler, adapted for use on **300+ HP (225 KW+)** tractors, comes standard with the following options:

- Left Articulated Tandem
- Security Lights Kit
- Used Truck Tires 425/65R22.5 8 bolts.

SLN Series						
MODEL	WIDTH	HEIGHT	WEIGHT	RECOMMENDED HP HP (KW)	CAPACITY ft <sup>3</sup> / m <sup>3</sup>	Price CAD
SLN-18	18' (5.50 m)	57" (1.45 m)	14 500 lb (6577 kg)	300+ (225+)	405 ft <sup>3</sup> (11.47 m <sup>3</sup> )	76 350 \$
SLN-20	20' (6.10 m)	57" (1.45 m)	15 000 lb (6804 kg)	300+ (225+)	450 ft <sup>3</sup> (12.74 m <sup>3</sup> )	81 750 \$
SLN-24	24' (7.32 m)	57" (1.45 m)	16 000 lb (7258 kg)	300+ (225+)	540 ft <sup>3</sup> (15.29 m <sup>3</sup> )	88 900 \$

#### OPTIONS

Kit de transport	16 200 \$
Ensemble de lumières de sécurité	Included
Ensemble de mât GPS	800 \$
Ensemble de mât LASER	1 100 \$
Tandem articulé gauche	Included
Tandems articulés doubles	6 800 \$
Ensemble de dents de fragmentation 18 pi (5.50 m) - poids 1400 lb (635 kg)	standard: 10 500 \$ with spring trip action: 19 050 \$
Ensemble de dents de fragmentation 20 pi (6.10 m) - poids 1425 lb (646 kg)	standard: 11 100 \$ with spring trip action: 19 650 \$
Ensemble de dents de fragmentation 24 pi (7.30 m) - poids 1475 lb (669 kg)	standard: 12 250 \$ with spring trip action: 23 650 \$

#### OPTIONS

Pneus de camion usagés 425/65R22.5	Included
Pneus de camion neufs 425/65R22.5	2 000 \$

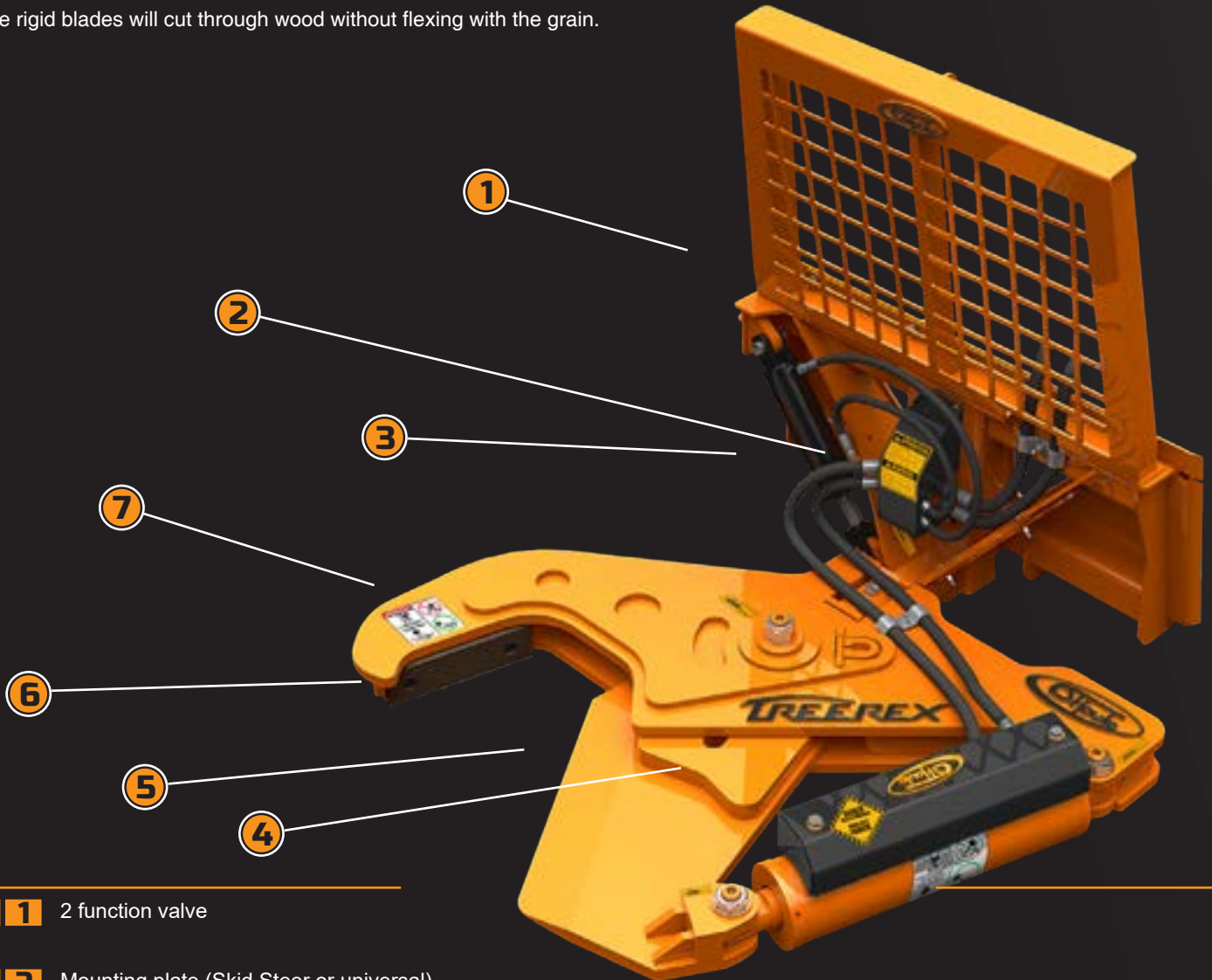


**JESSE RAST ENTERPRISES (803) 420-4102**

# TS Series

Models for loaders and models with grapple arms for excavators

All our tree shears are designed to adapt to most tractors, loaders, telehandlers and skid steer loaders. They operate on standard or high flow hydraulics using one set of remote couplers only, a solenoid valve assembly controls the various applications. Because of their ability to rotate up to 110 degrees, our tree shears are ideal for adjusting to all cutting angles or simply to crimp a cut limb to move it away. The blades are made of the highest capacity steel (RT-400) for longer service life and reduced maintenance. Not only are they solid but the rigid blades will cut through wood without flexing with the grain.



- 1** 2 function valve
- 2** Mounting plate (Skid Steer or universal)
- 3** Rotation cylinder
- 4** Rigid blade guides
- 5** RT-400 blade
- 6** Teflon plate
- 7** Retaining hook

# TS-16 Treerex

Tree Shear for diameters up to 16"



Cuts through grain without bending

The particular geometry of the Treerex is shaped like a jaw with a lip that acts as a retaining hook, keeping the tree or branch from moving away when cutting or transporting. The teflon plate allows for a perfect cut, eliminating the scuffing that occurs on most common models.

It is the most powerful tree shear on the market; it is capable of cutting branches or trees up to 16" (41 cm) in diameter. Its single blade action allows for better control and quality of cut and its ability to rotate allows you to easily cut at angles or move fallen trees. Its low profile allows to cut trees at ground level. It is especially designed for Skid Steer loaders and telehandlers.

**Length:** 60" (150 cm)

**Width:** 58" (147 cm)

**Tree Cutting Power:**

85,000 lb @ 3000 PSI / 38,000 kg @ 206 bars

**Rotation:** 0-110°

**Blade:** RT-400 steel

**Valve:** Solenoid 2 functions 1 command

**Hydraulic Outlet:** 1

**Minimum Oil Flow:**

20-25 GPM @ 2750 PSI / 90-114 l/m @ 190 bars



**TS-16 Treerex**

MODEL	DESCRIPTION	WEIGHT	Price CAD
TS-16	Tree Shear 16" (41 cm) Universal back	1550 lb (703 kg)	14 400 \$
TS-16 SS	Tree Shear 16" (41 cm) Skid Steer back	1550 lb (703 kg)	14 400 \$

**OPTIONS**

Protection Guard (155 lb (70 kg))	970 \$
Caterpillar electrical connector kit (Cat Plug)	260 \$
High Flow solenoid	970 \$

**Universal**



**Skid Steer**



# TS-08 and TS-17

Tree Shears for diameters from 8" to 17"



## TS-08

Thanks to its narrow shape, the TS-08 is easy to handle and excels in reaching branches and trees in confined spaces.

The TS-08 hydraulic tree shear is designed to trim and cut trees growing in tight spaces and near fences. Its slim design lets you cut trees and branches up to 8" (20 cm) in diameter almost anywhere. It can also be used with small farm tractors, Skid Steer loaders and telehandlers to give you even more versatility.

**Length:** 67" (170 cm)

**Width:** 21" (53 cm)

**Tree Cutting Power:**

85,000 lb @ 3000 PSI / 38,000 kg @ 206 bars

**Rotation:** 0 to 100°

**Blade:** RT-400 Steel

**Valve:** Solenoid 2 functions 1 command

**Hydraulic Outlet:** 1

**Minimum Oil Flow:**

15 GPM @ 2750 PSI / 70 l/m @ 190 bars

TS-08			
MODEL	DESCRIPTION	WEIGHT	Price CAD
TS-08	Tree Shear 8" (20 cm) Universal back	1050 lb (476 kg)	9 600 \$
TS-08 SS	Tree Shear 8" (20 cm) Skid Steer back	1124 lb (510 kg)	9 600 \$

TS-08	
Caterpillar electrical connector kit (Cat Plug)	260 \$



## TS-17

The powerful TS-17 tree shear is Fabrication SHoule's rugged double bladed model. With this tree shear you can easily cut trees up to 17 inches in diameter, at ground level if needed. The replaceable and adjustable steel blades pivot on MOS-2 polyethylene bushings and all pivot points are greaseable. A shield provides increased protection for the hydraulic hoses. Designed for Skid Steer loaders and telehandlers.

**Length:** 79" (201 cm)

**Width:** 44" (112 cm)

**Tree Cutting Power:**

85,000 lb @ 3000 PSI / 38,636 kg @ 206 bars

**Rotation:** None (flat to ground)

**Blade:** RT-400 steel

**Minimum Oil Flow:**

12 GPM (45,5 l/min) @ 2200 PSI (151 bars)

35 GPM (132 l/min) @ 5000 PSI (344 bars)

TS-17			
MODEL	DESCRIPTION	WEIGHT	Price CAD
TS-17	Tree Shear 17" (67 cm) Double blade system	1675 lb (760 kg)	15 100 \$



# TS-10+ and TS-16+

Tree Shear for diameters from 10" to 16" - for excavators from 9500 lb to 15 000 lb



## TS-10+

The TS-10+ model hydraulic tree shear is ideal for cutting branches or small trees up to 10" (25 cm) in diameter. Its grapple helps to gain access and handle trees in tight spots. Designed to adapt on mini-excavators or Skid Steer loaders.

**Length:** 36" (92 cm)

**Width:** 31" (80 cm)

**Tree Cutting Power:**

85,000 lb @ 3000 PSI / 38,000 kg @ 206 bars

**Rotation:** 0-90° on Universal

No rotation on Skid Steer model

**Blade:** RT-400 steel

**Valve:** Solenoid 2 functions 1 command

**Hydraulic Outlet:** 1

**Minimum Oil Flow:**

15-20 GPM @ 3000 PSI / 70-90 l/m @ 206 bars



## TS-16+

The TS-16+ model hydraulic shear is ideal for cutting trees up to 16" (41 cm) in diameter. Its two gripping arms make it possible to hold onto and maneuver the trees as desired. Its sturdy construction allows it to handle the most grueling chores. This shear is designed to adapt on excavators.

**Length:** 66" (167 cm)

**Width:** 61" (155 cm)

**Tree Cutting Power:**

132,500 lbs. @ 3000 psi / 60,100 kg @ 206 bars

**Rotation:** -20° to +20°

**Blade:** RT-400 steel

**Minimum Oil Flow:**

30 GPM @ 3000 PSI / 113,5 l/min @ 206 bars

TS-10+			
MODEL	DESCRIPTION	WEIGHT	Price CAD
TS-10+	Tree Shear 10" (25 cm) Universal attachment (to be added)	900 lb (408 kg)	16 500 \$
TS-10+ SS	Tree Shear 17" (25 cm) Skid Steer back	900 lb (408 kg)	15 200 \$

TS-16+			
MODEL	DESCRIPTION	WEIGHT	Price CAD
TS-16+	Tree Shear 16" (41 cm) Universal attachment (to be added)	3290 lb (1492 kg)	27 600 \$

